

Zimbabwe Data Center Communication Temperature Control Cabinet Construction Case





Zimbabwe Data Center Communication Temperature Control Cabine



Data Center Construction Services in Zimbabwe , International

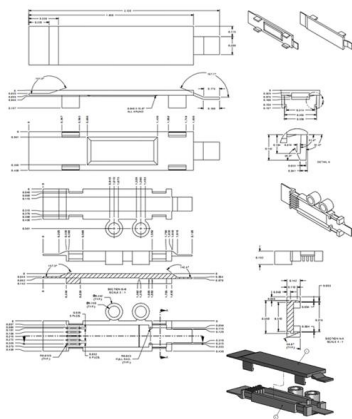
Expert data center construction services by IE24 in Zimbabwe. Secure, scalable, and energy-efficient IT infrastructure for modern businesses.

[Contact Us](#)

Hot and Cold Aisle Rack Optimization/Data Center Cabinet

Read our case study on how we optimize airflow and control temperature in data centers' hot and cold aisle cabinets to maintain proper IT operating conditions.

[Contact Us](#)



Data Center Construction Management Harare Zimbabwe ZW

The concept of Prefabricated Modular Data Centers is revolutionizing data center construction across the globe, including Harare. These facilities are designed off-site and assembled on-location,

[Contact Us](#)

Application case of communication cabinet air conditioning

The application case of rail transit signal system shows that air conditioning units with redundant design can automatically switch to backup modules when the main compressor fails, ensuring that the



OCP ACF Reference Design Guidance White Paper

Where facilities are planning on adding liquid cooled ITE to an air-cooled data center (i.e. data hall cooled by IDEX cooling units), a dedicated cooling loop may be a necessity and therefore would be

[Contact Us](#)



Telecom and Network Equipment Cabinets and Racks

Our cabinets can be fitted with or without climate control and are engineered for efficiency, offering precise temperature regulation to prevent overheating.

[Contact Us](#)



ZIMBABWE DATA CENTER MARKET BRIEFING

This report is part of a series of market briefs developed by Xalam Analytics at the behest of Digital Investment Facility (DIF) under the Data Governance in Africa Initiative, on the data center market

[Contact Us](#)





Data Center Air Conditioning Systems , Vertiv Room Cooling

A data center air conditioning system must always be viewed holistically. Paired with cutting-edge room cooling solutions, the holistic approach enables us to support a vast range of applications, from small

[Contact Us](#)



Towards a safety climate framework to improve communication

The research analysed factors that contribute to poor communication and low worker involvement in accident reduction at Hwange Thermal Power Station Expansion Project (HTPSEP)

[Contact Us](#)



SafeDX* Data Center Solution Case Study

Because power consumption is a major cost for data centers, there is a clear business mandate to optimize energy efficiency through intelligent monitoring and control. Data center cooling

[Contact Us](#)



Data Center Construction Management Harare Zimbabwe ZW

Critical Construction Services in Harare In the realm of data center construction, the term 'critical construction' refers to the essential systems that must be flawlessly executed to ensure uninterrupted

[Contact Us](#)



Data Center Construction Management Zimbabwe ZW

In Zimbabwe, where resources and skilled labor must be carefully managed, our Data Center Construction Sequencing service ensures that every phase of the construction process is optimized

[Contact Us](#)



TelOne Harare Data Center , 107 Union Ave

Explore TelOne Harare Data Center - data center by TelOne Pvt Ltd in Harare, Zimbabwe (107 Union Ave). See Specs, Ecosystem and Nearby Data Centers.

[Contact Us](#)



HVAC Cooling Systems for Data Centers

Abstract Air-conditioning systems for data centers are designed for year-round cooling with very high cooling intensity per square foot of floor area. The high sensitivity of electronic components in such

[Contact Us](#)



Design of a thermoelectric cooler to control the temperature of telecom

This paper discusses the design of a thermoelectric cooler (TEC) system for controlling the temperature of telecom outdoor cabins. Traditional cooling methods, such as refrigerants, have

[Contact Us](#)



Data Center Projects: Commissioning

Introduction When building a new data center, the owner of the data center has no guarantee that the various physical infrastructure subsystems - power, cooling, fire suppression, security, and

[Contact Us](#)



Coolnet Delivers Customized Micro Module Data Center Solution in

Coolnet is proud to announce the successful delivery of a highly customized micro module data center project in Zimbabwe, supporting the nation's rapidly evolving IT and telecom

[Contact Us](#)

Zimbabwean IT provider Dandemutande plans \$15m

The company's data center portfolio comprises three facilities; one in Harare, another in Bulawayo, Zimbabwe; and one in Johannesburg, South Africa.

[Contact Us](#)



Towards a safety climate framework to improve

A safety climate framework to improve communication and worker involvement in accident prevention at construction sites was designed for

[Contact Us](#)



CASE STUDY ON SUSTAINABLE BUILDING-EAST

The document summarizes a case study on the East Gate Center in Harare, Zimbabwe. The building employs natural ventilation techniques inspired by

[Contact Us](#)



ASHRAE TC9.9 Data Center Power Equipment Thermal Guidelines

Data Center Power Equipment Thermal Guidelines and Best Practices Whitepaper created by ASHRAE Technical Committee (TC) 9.9 Mission Critical Facilities, Data Centers, Technology Spaces, and

[Contact Us](#)

Facilities Design for High-density Data Centers

Facilities Design for High-density Data Centers
We have enabled high density computing and lowered facility costs by adopting a proactive server refresh strategy and investing in the latest generation

[Contact Us](#)



Harare Data Center Data Center located in Harare, Zimbabwe

Harare Data Center, TelOne Pvt Ltd Data Center located in Harare, Zimbabwe, Cnr Samora Machel Avenue and Sam Nujoma Street. 00263 Harare

[Contact Us](#)



Zimbabwe's Initial

Zimbabwe's AdCom strives to increase the visibility and profile of adaptation and its balance with mitigation, strengthen adaptation action and support, and enhance learning and understanding of

[Contact Us](#)



Application of the integrated technology of heat pipe and air

Abstract To solve the issues of high energy consumption of traditional air conditioner (TAC) in communication cabinets and ineffective temperature control of baseband unit (BBU),

[Contact Us](#)



Zimbabwe Data Centers

Data Centers in Zimbabwe - List of Colocation and Cloud data facilities in Zimbabwe. Get Quotes and find Specs, Photos, Videos etc.

[Contact Us](#)



Facility Considerations for the Data Center

Introduction Data center managers are embracing trends that better align IT with business strategies, increase operational effectiveness, and provide a technology platform for continued growth. The

[Contact Us](#)





(PDF) FACULTY OF THE BUILT ENVIRONMENT

Zimbabwe construction industry has experienced unfavourable numerous variations, high cost overruns, incompletions, delays and even

[Contact Us](#)



Contact Us

For datasheets, pricing, or custom fiber access solutions, please visit:
<https://frindel.es>