

# **Zambian Primary Distribution Box Requirements and Standards**





## Zambian Primary Distribution Box Requirements and Standards

---



### Zambia Bureau of Standards

Become a Certified Local Supplier. The Certified Local Supplier Scheme (CLSS) supports smaller, specialized producers by providing guidance, mentorship, and

[Contact Us](#)

### Draft Revised Standard DZS 418 Part 1 2024 Draft For

The standard was developed by the Zambia Bureau of Standards in collaboration with multiple stakeholders in the electricity supply industry to address

[Contact Us](#)



### Guide for the Design, Construction and Operation of Electric Power

This Zambian standard has been prepared in accordance with the procedures of the ZABS. All users should ensure that they have the latest edition of this publication as standards are revised from time

[Contact Us](#)



### List of Compulsory Standards

standards list of compulsory standards List of Zambia national compulsory standards

[Contact Us](#)



### ZS 418

FOREWORD The Zambia Bureau of Standards (ZABS) is the Statutory Organization established by an Act of Parliament. ZABS is responsible for the preparation of national standards through its various

[Contact Us](#)



### Zambia Distribution Grid Code

ACKNOWLEDGEMENTS This is the first issue of the Zambian Distribution Grid Code. The development of the Distribution Grid Code has been accomplished by

[Contact Us](#)



### Zambian Distribution Grid Code , Public Private Partnership

The development of the Distribution Grid Code has been accomplished by the extensive efforts of the Energy Regulation Board (ERB) and was subjected to broad technical and legal reviews

[Contact Us](#)





**GOVERNMENT OF ZAMBIA STATUTORY INSTRUMENT No. 38 OF**

(1) A prosumer shall operate a net metering generation in accordance with the operating requirements and arrangements of the grid code relating to distribution.

[Contact Us](#)



**Zambia Bureau of Standards**

Zambia Bureau of Standards (ZABS) is the sole service provider for Standards Certification to the industry in Zambia. Certification refers to confirmation or an

[Contact Us](#)

**Zambian Distribution Grid Code , Public Private Partnership**

This is the first issue of the Zambian Distribution Grid Code. The development of the Distribution Grid Code has been accomplished by the extensive efforts of the Energy Regulation

[Contact Us](#)



**ZS 418**

The Zambia Bureau of Standards would like to extend its acknowledgement to the Energy Regulation Board for the material and financial support rendered to the Technical Committee responsible during

[Contact Us](#)

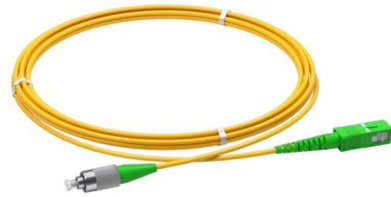




## ZAMBIAN DISTRIBUTION GRID CODE

Relevant ZAMBIAN Standards h). Germany Technical Guideline for Generating Plants (BDEW June 2008). connected to the Medium- Voltage Network The

[Contact Us](#)



## Request for Public Comments on The Revised Draft Zambian Standards

This notice serves to invite the public, interested and affected parties to submit comments on the above Revised draft Zambian Standard, DZS 418:2024 - Electrical Safety Code - Code of

[Contact Us](#)

## Draft Zambian Standard

CONTRACT REQUIREMENTS A Zambian Standard does not purport to include all the necessary provisions of a contract. Users of Zambian Standards are responsible for their correct application.

[Contact Us](#)



## Electricity Distribution Infrastructure Application Guide

Zambian standard application guide for electricity distribution infrastructure construction, design, installation, and commissioning.

[Contact Us](#)



## ZAMBIAN DISTRIBUTION GRID CODE

The Distribution Grid Code establishes the basic rules, procedures, requirements and standards that govern the operation, maintenance, and development of the electricity Distribution Systems in

[Contact Us](#)



### Template

All Meters must meet technical specifications outlined in Zambian Grid Code, Zambian Distribution Grid Code, Zambian Metering Standards and the System Operator Guidelines.

[Contact Us](#)



## Zambia Bureau of Standards

The Zambia Bureau of Standards (ZABS) facilitates the development of standards for the different sectors of the economy in Zambia. These Standards are developed

[Contact Us](#)



## Zambian Grid Code , Documents Community Sharing

It is broken down into sections defining connection conditions (for generators, distributors and end-use customers), defining technical design requirements applicable to the serviceproviders and finally

[Contact Us](#)



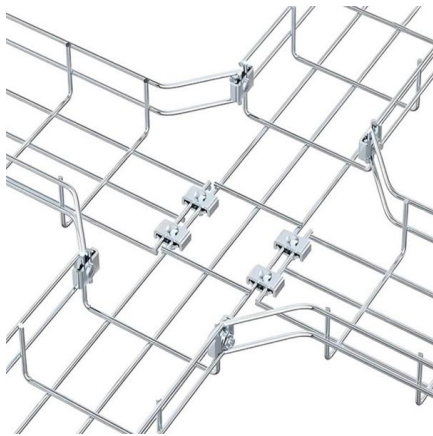
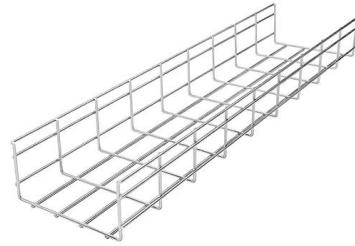
## ELECTRICAL SAFETY CODE Code of Practice



## Part 1: Construction

This Zambian Standard has been prepared in accordance with the procedures of the ZABS. All users should ensure that they have the latest edition of this publication as standards are revised from time

[Contact Us](#)



### **DZS 418 1: 2024 Draft Zambian Standard Electrical**

Explore the Zambian Electrical Safety Code, focusing on construction, installation, and commissioning rules for safe electrical practices.

[Contact Us](#)

## **ZAMBIAN DISTRIBUTION GRID CODE**

This is the first issue of the Zambian Distribution Grid Code. The development of the Distribution Grid Code has been accomplished by the extensive efforts of the

[Contact Us](#)



### **Zambia Bureau of Standards**

The Zambia Bureau of Standards (ZABS) facilitates the development of standards for the different sectors of the economy in Zambia. These Standards are developed

[Contact Us](#)



## ZAMBIAN DISTRIBUTION GRID CODE

Relevant ZAMBIAN Standards h). Germany Technical Guideline for Generating Plants (BDEW June 2008). connected to the Medium- Voltage Network The detailed development of the

[Contact Us](#)



## Zambia Bureau of Standards

The Zambia Bureau of Standards (ZABS) is dedicated to ensuring that the public and private sectors have access to valuable resources for understanding and applying various standards across industries.

[Contact Us](#)

## Safety in AC Substation Earthing

The preparation of this Zambian Standard was undertaken by the Technical Committee TC 5/7: Electricity Supply which is responsible for the development of standards for electricity generation,

[Contact Us](#)



## ZAMBIAN DISTRIBUTION GRID CODE

This is the first issue of the ZAMBIAN DISTRIBUTION grid code . The development of the DISTRIBUTION grid code has been accomplished by the extensive efforts of the Energy Regulation

[Contact Us](#)



## Contact Us

---

For datasheets, pricing, or custom fiber access solutions, please visit:  
<https://frindel.es>