

Zambia debugging 400G optical switch





Zambia debugging 400G optical switch



Unlocking the Power of 400G Optical Networks: A Deep Dive into

Explore the transformative potential of 400G optical networks, enhancing data center capabilities and enabling scalable, high-speed solutions for modern network demands.

[Contact Us](#)

How 400G Optical Modules Are Shaping Next-Gen

Discover key factors driving the rapid adoption of 400G optical transceivers, including AI, 5G, coherent optics, and market trends shaping next

[Contact Us](#)



Juniper 400G Optical Transceivers and Cables Guide

The 400G ZR/ZR+ and 0dBm tunable DWDM pluggable optical transceivers from Juniper are essential for metro network modernization. To support the multi-vendor network environment,

[Contact Us](#)



400G: Testing the Future of Communications

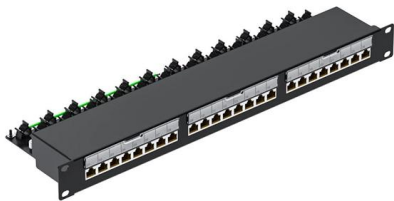
New high speed optical modules for 400GE applications that operate with PAM4 modulation, can easily be tested with this new test suite before they are used in production environments such as data



400G Network Tester NTA4100, network tester, KP4 FEC test, FEC

400G Network Tester Semight NTA4100 is specifically designed for high speed ethernet traffic test, which supports not just 400GE, but also other speeds as 200GE and 100GE.

[Contact Us](#)



400G

With unmatched optical transport testing knowledge and experience, VIAVI has leveraged a unique position in the industry to collaborate and strategize with top designers and committees throughout

[Contact Us](#)



What is 400G optical networking? , Neos Networks

What is 400G? 400G is optical networking technology that can transfer data at speeds of up to 400 gigabits per second on a single optical

[Contact Us](#)





20180146_100G 400G Testing Guide_Inside_6x9_V7_EN

Each one of these transceivers receive 4 CAUI-4 lanes in the electrical interface, which are directly converted into 4x25G optical lanes. These transceivers are all interoperable as long as their optical

[Contact Us](#)



Understanding the 400g Optical Transceiver: An In

Applications in Optic Communications 400G optical modules are integral to the advancement of optic communications by enhancing the overall

[Contact Us](#)

What is the 400G Optical Module?

Nowadays, the progress of 400G optical module development and mass production is relatively satisfactory. In the current market background, the

[Contact Us](#)



400G Optical Modules 2026 Guide: DR4 vs. FR4 vs. LR8 Lab

Our CCIE/HCIIE team shares lab-tested benchmarks for DR4, FR4, and LR8, focusing on power efficiency, latency, and AI cluster scalability.

[Contact Us](#)



Transforming Data Centers & Mobile Networks with

Beyond Bandwidth: How 400G is Transforming Data Centers, Mobile Networks, and Optical Transport March 18, 2025 , Fernando Cerioni The

[Contact Us](#)



400G-100G Spine-Leaf Architecture: Optical Modules and DAC/AOC

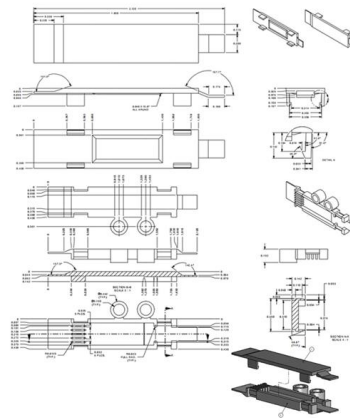
Learn how to select 400G optical modules and 100G/400G DAC and AOC cables for Spine-Leaf architectures. This guide explains distance-based deployment strategies for server

[Contact Us](#)

Tencent Completed The First Multi-vendor 400G Optical

Tencent Completed The First Multi-vendor 400G Optical Module And Switch Networking Interoperability Test In China With the rapid growth of data

[Contact Us](#)



Primer: A Guide to 400G Optical Networks

This guide covers all you need to know about 400G, the technology that supports it, and how it is being used in the marketplace.

[Contact Us](#)



QSFP-DD OSFP PAM4: Getting The Most Out of 400G

The problem is that 400GE optics constantly subjected to high temperatures will suffer more wear and tear, and ultimately have a shorter life span. There is great variation in the heat performance of

[Contact Us](#)



400ZR Optics Support on QFX5220-32CD and QFX5130 Switches

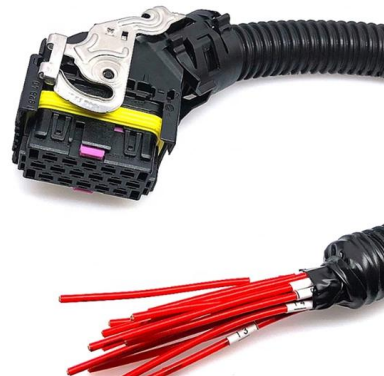
Learn about 400ZR optics and its configuration on QFX5220-32CD and QFX5130 switches.

[Contact Us](#)

How 400G Optical Transceiver Testing Ensures Quality?

As a result, 400G optical transceivers have become a backbone technology for modern data centers and telecom networks. However, achieving this level of

[Contact Us](#)



400G-FR4 Technical Specifications Rev 2.0

The 400G-FR4-3-Open Eye fiber optic cabling shall meet the specifications defined in Table 6-1. The fiber optic cabling consists of one or more sections of fiber optic cable and any intermediate

[Contact Us](#)



Features of 400ZR and 400G OpenZR+

Learn about performance monitoring (PM) for 400ZR and 400G OpenZR+ coherent optics. Coherent optics performance monitoring (PM) stores diagnostic data for optical parameters over defined intervals.

[Contact Us](#)



Are you ready for 400G Ethernet? , Fluke Networks

Are your fiber optic cables and testers ready for 400G Ethernet? September 28, 2021 / General, Standard and Certification, Industrial Networks

[Contact Us](#)

Arista 400G HD Flex Cabling Application Guide FBAG6-SA-ENG

Business Value in Migrating to 400G Arista's switching platforms with 400G capability facilitate the growing bandwidth needs of data centers and high-performance compute environments while

[Contact Us](#)



Multi-Vendor 400G Coherent Optical Transceiver Interoperability Testing

1. Introduction Several years ago, hyperscale network operators saw an opportunity for coherent Dense Wavelength Division Multiplexing (DWDM) transport optics to plug directly into

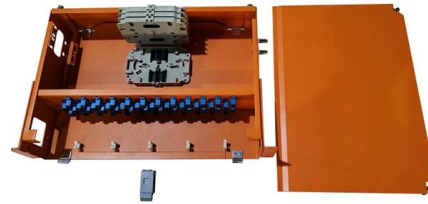
[Contact Us](#)



Cisco Nexus 9000 Series NX-OS Interfaces Configuration Guide,

400G Digital Coherent Optics is configurable and allows configuration for the following parameters on the optics. For more information on configuration values, see Table 1:

[Contact Us](#)



FS 800G& 400G Transceiver Acceptance Testing Guide , FS

Be sure to clean the optical surfaces of the cable before inserting it back into the optical port of another OSFP module. Avoid dust and other contaminants from entering the optical ports of the OSFP

[Contact Us](#)

A Comprehensive Guide to 400G ZR Technology

The 400ZR standard aims to reduce the cost and complexity of high-bandwidth data center interconnections and enhance interoperability between

[Contact Us](#)



400G Coherent Optical Devices: Architecture, Applications & Trends

Explore the architecture, key technologies, applications, and future trends of 400G coherent optical devices in modern high-speed fiber networks.

[Contact Us](#)



QSFP-DD Troubleshooting Guide: Fix 400G/800G Link Issues Fast

QSFP-DD troubleshooting guide covering module detection failures, link flapping, CMIS errors, FEC mismatches, and thermal issues with vendor-specific diagnostic commands.

[Contact Us](#)



Contact Us

For datasheets, pricing, or custom fiber access solutions, please visit:
<https://frindel.es>