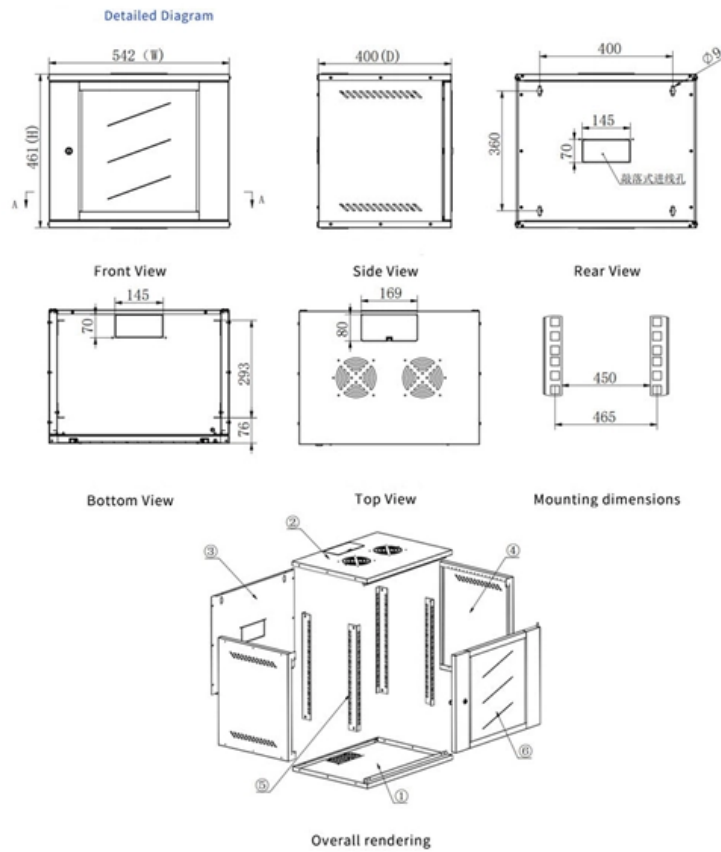


Wholesale Price Single Fiber Bidirectional QSFP28





Wholesale Price Single Fiber Bidirectional QSFP28



100Gb/s QSFP28 Transceivers

Amphenol's 100G QSFP28 optical modules include SR4, AOC, AOC break out, CWDM4, LR4, ER4 Lite, ER4 and ZR4 series, which adopt LC or MPO optical ports and are compatible with IEEE802.3bm,

[Contact Us](#)

100G QSFP28 Explained: Key Features, Applications,

As data centers, cloud computing, and enterprise networks demand higher bandwidth and faster data transmission, the 100G QSFP28 transceiver

[Contact Us](#)



100G BiDi QSFP28 80km Side B , EUR1,802 , EDGE

EdgeOptic's BIDI-100G-QSFP28-80B is a 100 Gigabit Ethernet bidirectional QSFP28 transceiver, carrying full-duplex 100G over a single SMF strand at up to 80 km. It

[Contact Us](#)

100G BIDI QSFP28 20KM Single Fiber

Please rest assured to buy bulk 100g bidi qsf28 20km single fiber at competitive price from our factory.

[Contact Us](#)



100G QSFP28 Cable and Transceiver Modules Data Sheet , FS

The QSFP28-ERL-100G Module supports link lengths of up to 25km over SMF with duplex LC connectors. The 100G ERL QSFP28 Transceiver is designed to transmit and receive serial optical

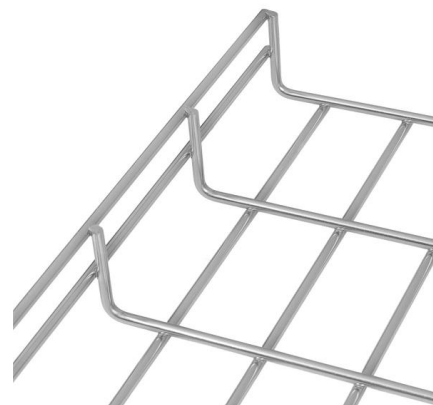
[Contact Us](#)



Comprehensive Guide to 100G BIDI QSFP28

The 100G BIDI QSFP28 (Bidirectional Quad Small Form-Factor Pluggable 28) transceiver is a standout solution, enabling 100 Gigabit Ethernet

[Contact Us](#)



Introduction to 100G QSFP28 Bidirectional Transceivers

TARLUZ 100G QSFP28 Bidirectional transceivers are a cost saving solution for building a network or upgrading an existing network, the transceivers provide

[Contact Us](#)

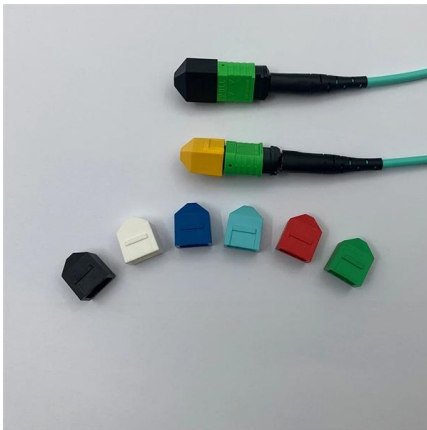
Single-Fiber-Bidirectional Module 100G



QSFP28 40km BIDI LR1

Distance: 40km Transmit power (dBm): 1.5 to 7.1
Maximum receiver sensitivity (dBm): -16.2 Fiber
Type: Single-mode Simplex Fiber

[Contact Us](#)



100G QSFP28 Cable and Transceiver Modules Data Sheet

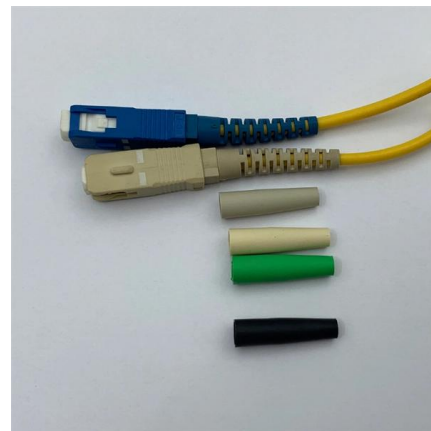
100G ERL QSFP28 Transceiver is designed to transmit and receive serial optical data links up to 106.25Gbps data rate by PAM4 modulation format over single-mode fiber.

[Contact Us](#)

QSFP28 BIDI Wholesale, 100G QSFP28 Suppliers -ETU-Link

QSFP28 BIDI (Bidirectional) transceiver is a high-performance, cost-effective solution for 100 Gigabit Ethernet networks. 100G Single Fiber Solution: Implements 100G-BiDi standard to achieve 100Gbps

[Contact Us](#)



Explaining 100G Bidirectional (BiDi) Optics

This 100G bidirectional transceiver provides 100Gbps bandwidth over standard duplex multi-mode fiber. The 100G multi-mode BiDi QSFP28 optics

[Contact Us](#)



100G QSFP28 ZR BIDI Single Fiber 80KM Optical Transceiver

This 100G QSFP28 BIDI ZR1 PAM4 transceiver is a new generation optical module specially designed for transmitting data over 80km transceiver on simplex SMF. It is compliant with QSFP28 MSA. It is

[Contact Us](#)



100G QSFP28 Optical Transceiver Modules , FiberMall

The unit price of CWDM4 is generally higher than that of PSM4, but CWDM4 only needs two single-mode fibers for bidirectional transmission, while psm4 needs eight.

[Contact Us](#)

QSFP28 Single Fiber

QSFP28 BiDI (Bi-Directional) modules are a modern solution designed for data transmission in optical networks. By utilizing bi-directional technology, they enable data to be transmitted in both directions

[Contact Us](#)



100G BIDI QSFP28 Optical Transceivers for Long-Reach Networks

The 100G BIDI QSFP28 optical transceiver (also called a 100G QSFP28 BIDI module or 100G QSFP28 single fiber transceiver) is a high-performance optical module that sends and receives

[Contact Us](#)



Single-Fiber-Bidirectional Module 100G QSFP28 40km BIDI LR1

Single-Fiber-Bidirectional Module 100G QSFP28 40km BIDI LR1 Simplex LC Connector PAM4 1304/1309nm Optical Fiber Transceivers No reviews yet Certificates:CE,

[Contact Us](#)



Exploring 100G Single Mode QSFP28 Transceiver Types

Explore 100G single mode QSFP28 module types by distance, cost, and use case to select the best fit for data center, metro, or long-haul networks.

[Contact Us](#)

QSFP28 50G fiber solutions for performance

Our QSFP28 50G assortment includes ER1, LR1, and single-fiber bidirectional 10KM and 40KM bidirectional (bidi) options. These solutions utilize PAM4 modulation schemas to improve your mid

[Contact Us](#)



Qsfp28 100g Bidi Single LC Port Single Fiber Bidirectional Compatible

This is a high-performance Huawei-compatible QSFP28 100G BiDi (Bidirectional) optical transceiver module, engineered for cost-effective 100Gbps data transmission over single-fiber infrastructure.

[Contact Us](#)





Fortinet FN-TRAN-QSFP28-BIDI-I QSFP transceiver module 100GbE

Engineered for continuous operation in data centers and enterprise networks, the FN-TRAN-QSFP28 -BIDI-I combines low power consumption with exceptional optical stability.

[Contact Us](#)



100G QSFP28 BIDI 80km ZR4 Single Fiber LC Optical Transceiver

Feature highlights: The 100G QSFP28 BIDI optical transceiver supports data rates up to 112.2 Gb s, with an 80km reach over single-mode fiber. It features a built-in 4-channel CDR, LC connector, and RoHS

[Contact Us](#)



Custom 40G QSFP+ and 50G SFP56/QSFP28 Modules

Custom 50G SFP56 BiDi Optical Transceivers The ultimate solution for 5G cell site rollouts where dark fiber is severely constrained. This highly requested BiDirectional SFP56 module pushes 50Gbps

[Contact Us](#)



Wholesale Optical Transceivers Module , 100G

Shop high-speed optical transceivers from Unitekfiber. We offer 100% compatible 40G, 100G, and 400G QSFP-DD modules for data centers. Expert technical

[Contact Us](#)





QSFP-100G-SR1.2 QSFP28 100GBASE-SR BiDi 850nm

QSFP-100G-SR1.2 BiDi is a parallel Quad Small Form-factor Pluggable (QSFP28) Bi-Direction optical module that supports 100 Gbps bit rates. The module

[Contact Us](#)



100G Over Single Fiber, Simplified

Introducing the QSFP28 100G BiDi Product Family
Last Updated: April 11, 2025 Upgrading from 10G to 100G no longer requires complex fiber builds.

[Contact Us](#)

QSFP28-100GB33-20 100G QSFP28 BIDI

100G QSFP28 BIDI TX1331nm/RX1271nm PAM4 Single Lambda LC SMF 20km DDM Optical Transceivers are designed for 100 Gigabit Ethernet links over 20km

[Contact Us](#)



100GBASE-BX30 QSFP28 Single Fiber Bidirectional 1304nm/1309nm

Optical Transceiver Module for sale, Quality 100GBASE-BX30 QSFP28 Single Fiber Bidirectional 1304nm/1309nm 30km LC Connector DDM Function For 5G Network on sale of Shenzhen HiLink

[Contact Us](#)



Contact Us

For datasheets, pricing, or custom fiber access solutions, please visit:
<https://frindel.es>