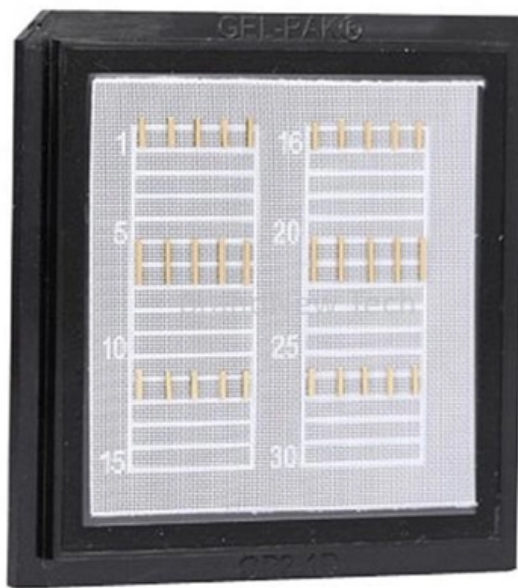


Which devices use Huawei s 100G optical module





Which devices use Huawei s 100G optical module

A Comprehensive Guide to 100G Optical

A 100G optical transceiver module is an optical-electrical interface that supports 100 Gbps Ethernet, InfiniBand EDR, or Fibre Channel. The QSFP28 (Quad Small

[Contact Us](#)



Huawei QSFP-100G-CWDM4-Lite Optical Module Datasheet

Huawei QSFP-100G-CWDM4-Lite Optical Transceiver 1 Huawei QSFP-100G-CWDM4-Lite Optical Module Datasheet Optical modules are optoelectronic devices that perform photoelectric and electro

[Contact Us](#)



Coherent 100G Solution

Huawei's 100G coherent technology has attracted many operators as it enables WDM networks, which is viewed as a most effective way to resolve bandwidth

[Contact Us](#)



100G QSFP28 Explained: Key Features, Applications,

This guide will explain 100G QSFP28, its features, applications, and how it compares to other 100G transceivers, along with a detailed specification

[Contact Us](#)





A Comprehensive Guide to 100G Optical Transceiver

This guide explores the key 100G module form factors--CFP, CFP2, CFP4, CXP, and QSFP28--and highlights their applications, advantages, and

[Contact Us](#)

A Deep Dive into the QSFP28-100G-ZR4 Optical

As 100 Gigabit Ethernet (100GbE) becomes the standard for high-speed interconnects, the challenge shifts from mere speed to achieving greater

[Contact Us](#)



Features and Applications of the 100G QSFP28

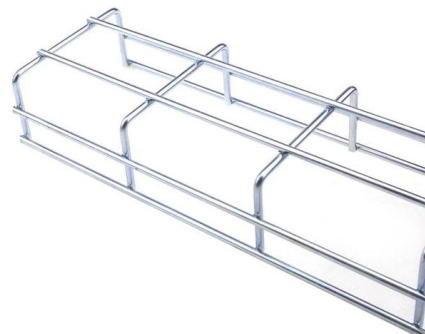
Discover the key features and applications of 100G QSFP28 Multimode optical transceiver modules in the context of cloud computing and 5G networks.

[Contact Us](#)

QSFP28 Transceiver: The Ultimate 100G Optical

Discover ascentoptics about QSFP28 transceiver solutions. Master 100G optical modules with in-depth insights and trusted guidance.

[Contact Us](#)





100GE QSFP28 Optical Modules

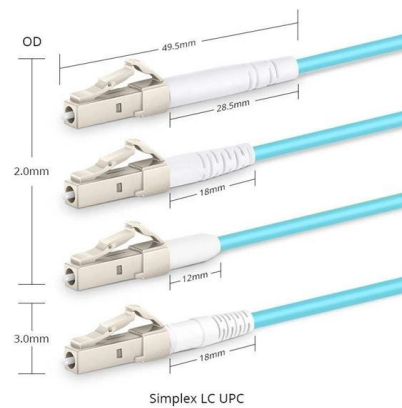
100GE QSFP28 Optical Modules
QSFP-100G-4WDM-40 QSFP-100G-CWDM4
QSFP-100G-CWDM4-Lite QSFP-100G-ER4
QSFP-100G-SWDM4 QSFP28-100G-1310-40km-
SM QSFP28-100G-DR

[Contact Us](#)

Huawei QSFP-100G-ZR4 Optical Module Datasheet

Datasheet Huawei offers a comprehensive series of pluggable optical modules in the Huawei portfolio. The wide variety of modules gives you flexible and plug-and-play options for all types of interfaces.

[Contact Us](#)



100Gbps QSFP28 Optical Modules

This module can only be used on a device running V600R023C10 or a later version.

[Contact Us](#)

Huawei QSFP-100G-BIDI-G2 Optical Module Datasheet

Datasheet Huawei offers a comprehensive series of pluggable optical modules in the Huawei portfolio. The wide variety of modules gives you flexible and plug-and-play options for all types of interfaces.

[Contact Us](#)



Huawei 100GE Optical Modules



Buy genuine Huawei 100GE optical modules from GenuineModules with best prices and fast worldwide shipping.

[Contact Us](#)

Huawei QSFP-100G-eBIDI-G2 Optical Module Datasheet

Datasheet Optical modules are optoelectronic devices that perform photoelectric and electro-optic conversions. The transmitting end of an optical module converts electrical signals into optical signals,

[Contact Us](#)



Huawei Optical Module Common Models

Optical modules are important devices in fiber optic communication systems. Huawei Optical Module is manufactured by Huawei Technologies Co. and originated in Shenzhen.

[Contact Us](#)

100G Fiber Optic Transceivers -- QSFP28

It only needs a duplex single mode fiber cable to connect two 100G CWDM4 optical modules. At present, CWDM4 links are used in both 100G CFP4

[Contact Us](#)





100G QSFP28 Transceivers: Types, Specs and How to Choose

A complete guide to 100G QSFP28 transceivers covering types, specs, reach, compatibility, and how to choose the right module for data center and telecom networks.

[Contact Us](#)

100G Optical Module Introduction: Understanding Its

The growing demand for faster, more reliable networks has driven innovations in optical communication technology. One such innovation is the

[Contact Us](#)



Understanding the 100G LR4 Transceiver for Modern

This comprehensive guide dives deep into the technology, specifications, applications, and best practices for deploying these essential 100G

[Contact Us](#)

Optical Module Industry Statistics 2026

The use of nano-photonics materials in optical modules is projected to reduce device size by 50% by 2026, with early prototypes showing 40% size reduction in 2023.

[Contact Us](#)



Huawei Optical Module Common Models

Optical modules are important devices in fiber optic communication systems. Huawei Optical Module is manufactured by Huawei Technologies Co. and originated in Shenzhen. Huawei Technologies Co.,

[Contact Us](#)



Optical Transceiver Market Size, Share, Trends

The primary role of this transceiver is to convert electrical signals to light signals. As this transceiver helps to bridge the gap between electronic

[Contact Us](#)



QSFP28 Transceiver: The Ultimate 100G Optical

QSFP28 Single Lambda modules have made an optical technology breakthrough, which allows delivery of 100G Ethernet connectivity over a single

[Contact Us](#)



100G Optical Module Selection Guide: Advantages and Types of

Explore the QSFP28 100G optical module, a vital component for high-speed network connections. Discover its unique features, advantages, and various types to meet diverse

[Contact Us](#)



100G port interface between CE6870-24S6CQ-EI and USG6716E

The possible reason is that the distance between the two devices is short but a long-distance optical module is used. In this case, install an optical attenuator on the remote optical

[Contact Us](#)



100GBASE Optical Transceivers and Cables Portfolio , FS

The 100G transceiver module portfolio offers a wide variety of high-density and low-power 100G connectivity options for data center, enterprise and telecom application.

[Contact Us](#)



Introduction to Common 100G Optical Module Types,

100G optical modules find extensive use in diverse application scenarios, including: · Data centers: Optical modules are deployed in data centers to facilitate high

[Contact Us](#)

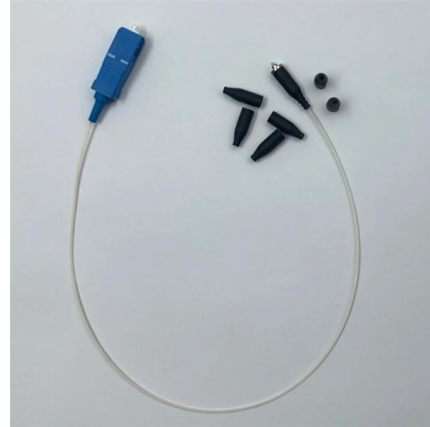




100G Optical Module in the Real World: 5 Uses You'll

The 100G optical module has become a cornerstone in high-speed data transmission. As digital infrastructure expands, these modules enable faster, more reliable connectivity across various

[Contact Us](#)



10 Gbit/s SFP+ Optical Modules

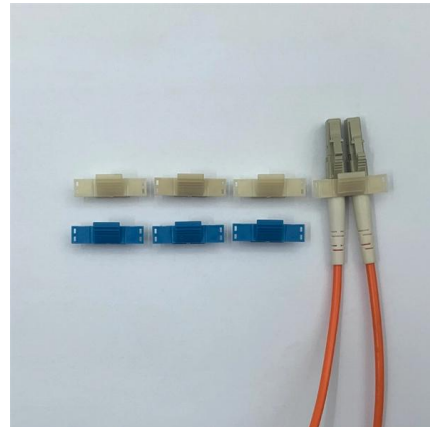
10 Gbit/s SFP+ optical modules apply to 10 GE optical ports. The wavelength can be 850 nm, 1310 nm, or 1550 nm, and the transmission distance ranges from 0.5 km (0.31 mi) to 80 km (49.71 mi).

[Contact Us](#)

QSFP28-100G-SR4 Module QSFP28 100G price and

QSFP28-100G-SR4 Module is 100GBase-SR4 Optical Transceiver, QSFP28, 100G, Multi-mode (850nm, 0.1km, MPO) QSFP28-100G-SR4

[Contact Us](#)



Contact Us

For datasheets, pricing, or custom fiber access solutions, please visit:
<https://frindel.es>