

Where are optical modules mainly manufactured





Overview

China accounts for over 70% of global optical module manufacturing, with Shenzhen and Suzhou as major production hubs. The rapid development of AIGC has promoted the demand for 800G optical modules, and the entire industrial chain involving optical components, optical modules, and optical communication equipment is expected to fully benefit. Optical module chips are semiconductor devices that enable high-speed data transmission in fiber optic networks. Product Details: Optical transceivers for various applications including 100G, 200G, 400G, and 800G. In 2021, InnoLight will be tied for first place with II-VI (acquired optical module).



Where are optical modules mainly manufactured



Chinese Optical Modules Own 7 of the Top 10 Seats. So Why Are

Seven of the global top 10 optical module suppliers in 2024 were Chinese companies (including Source Photonics, acquired by Chinese capital). Innolight and Eoptolink are estimated by

[Contact Us](#)

The latest ranking of the TOP10 global optical module suppliers

The figure above illustrates the changes in the list of TOP10 optical module suppliers over the past 12 years. LightCounting pointed out that since 2018, most suppliers in Japan and the

[Contact Us](#)



Photonics Is Where AI Infrastructure Meets Physical Limits Copper

Sergey (@SergeyCYW). 986 likes 22 replies. Photonics Is Where AI Infrastructure Meets Physical Limits Copper interconnects are reaching practical limits inside high-performance data

[Contact Us](#)



AI Data Centers Ignite a Laser Shortage Wave; Nvidia's

Nvidia's strategic monopoly on EMLs Beyond VCSELs used in short-reach links, mid- to long-reach optical modules mainly depend on two laser types:



Everything You Need to Know About Optical Modules

Optical modules are electronic devices used in communication systems to transmit optical signals. These modules convert electrical signals into optical

[Contact Us](#)

AT& S Empowers High-Speed Optical Module PCB

AT& S's worldwide manufacturing sites are industry benchmarks with their state of the art technologies, advanced equipment, and unrivaled know-how

[Contact Us](#)



Top 10 Optical Module Brand & Manufacturers

Find the Top 10 Optical Module brand, manufacturers, and exporters. Get the contact details and addresses of companies producing Keywords.

[Contact Us](#)





Optical Module Chip Market 2025

The optical module chip market exhibits a fragmented yet competitive structure with global technology providers, semiconductor manufacturers, and specialized optical communication companies vying for

[Contact Us](#)



Top 10 Optical module manufacturers in the World 2025

Are you curious about which optical module manufacturers stand out in today's competitive market? Understanding the top factories is crucial for making informed decisions.

[Contact Us](#)

The Evolution of Optical Modules: Powering the Future

Enter optical modules, which leverage the power of light to transmit data efficiently over long distances, driving the next generation of technological

[Contact Us](#)



Optical Modules Market Size, Growth Trends & Forecast

Access detailed insights on the Optical Modules Market, forecasted to rise from USD 3.5 billion in 2024 to USD 8.2 billion by 2033, at a CAGR of 10.3%.

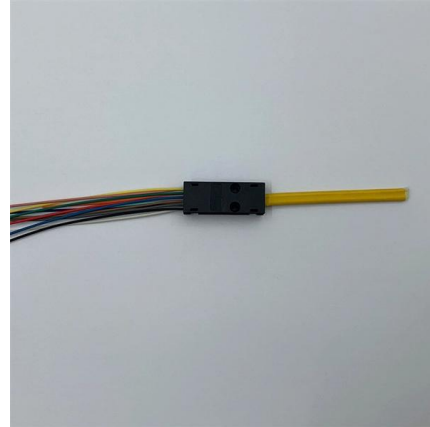
[Contact Us](#)



Optical Module Chip Market 2025

Optical Module Chip Market size was valued at US\$ 823 million in 2024 and is projected to reach US\$ 1.52 billion by 2032, at a CAGR of 8.0%

[Contact Us](#)



Latest Ranking of Top 10 Global Optical Module Suppliers

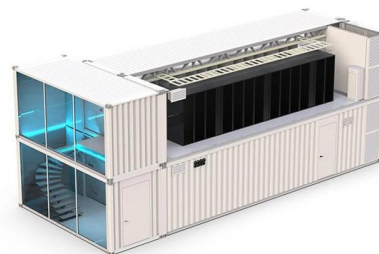
The latest data shows that Xutron Technology and II-VI acquired Finisar, the leading optical module company, and tied for the first place in optical module market share in 2021, which is also the first

[Contact Us](#)

Top 10 Optical module manufacturers in the World 2025

Are you curious about which optical module manufacturers stand out in today's competitive market? Understanding the top factories is crucial for making informed decisions. By knowing the best

[Contact Us](#)



Optical Modules Market by Type and Application

An optical module is a typically hot-pluggable optical transceiver used in high-bandwidth data communications applications. Optical modules typically have an electrical interface on the side that

[Contact Us](#)



Optical Module Market Size, Competitors & Forecast to

The Optical Module Market, valued at USD 30.01B in 2026, is projected to reach USD 66.94B by 2032, growing at a 14.1% CAGR.

[Contact Us](#)



The Elite 100 Directory of Optical Manufacturers using MRF polishing

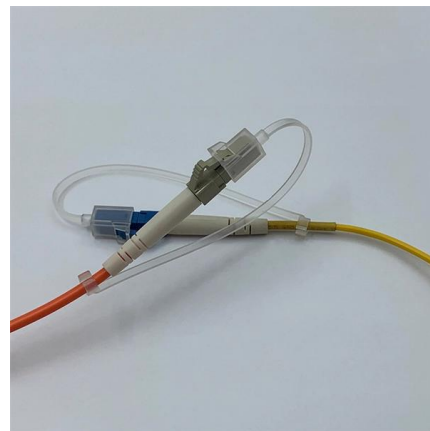
Identify manufacturers of optical components who specialize in manufacturing of high-quality planos, spheres, aspheres, cylinders, freeforms and more. Elite 100 optics companies meet production

[Contact Us](#)

Top 10 Optical Transceiver Manufacturers in the World (2026)

Sourcing optics for your data center? Discover the top 10 optical transceiver manufacturers in 2026. Compare global giants and factory-direct OEM alternatives.

[Contact Us](#)



FTTH BOOK-TYPE TERMINAL BOX

Sleek Design. Reliable Connectivity.



COMPACT & DURABLE

EASY INSTALLATION

Global Optical Modules Market 2024-2030

In Global Optical Modules Market, The VITA 66.5 draught standard, set to be published, defines NanoRF optical hybrid modules.

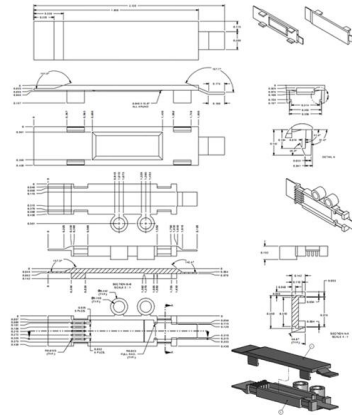
[Contact Us](#)



Optical Module Industry Statistics 2026

Optical module demand is being pulled in two directions at once, faster bandwidth for dense networks and tighter constraints on power, security, and lead times. With global R& D

[Contact Us](#)



Optical Module Package Market 2025

South America In South America, the Optical Module Package market is in a nascent growth phase, with Brazil leading in telecommunication infrastructure upgrades. Demand is concentrated in urban

[Contact Us](#)

Top 10 Global Optical Modules in 2023: Chinese

Recently, LightCounting, a market research institution in the optical communication industry, released the latest version of the 2023 global optical

[Contact Us](#)



Top Camera Modules Companies , Camera Modules Industry Players

Their camera modules feature high-resolution sensors, advanced optics, and innovative imaging technologies. LG Innotek has a global presence with manufacturing facilities and research centers in

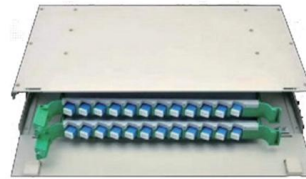
[Contact Us](#)



10 companies in the optical transceiver industry chain 2024

To help you choose the best partner, this article will analyze and introduce 10 companies in the optical transceiver industry chain for you.

[Contact Us](#)



Latest Ranking of Top 10 Global Optical Module Suppliers

Recently, LightCounting, a well-known market research organization in the optical communication industry, released the latest issue of its market report and updated the TOP10 ranking of global

[Contact Us](#)

Contact Us

For datasheets, pricing, or custom fiber access solutions, please visit:
<https://frindel.es>