

# **What type of fusion splicer is used for 654 optical cable**





## Overview

---

A ribbon fusion splicer or quality fusion splicer is exactly what it sounds like; it is a fusion splicer used to splice ribbon optical fibers together. In this case, instead of splicing a single fiber during the splicing cycle, the machine splices up to 12 fibers together at the. Unlike fiber connectors, which are designed for easy reconfiguration on cross-connect or patch panels. The best splicers offer core alignment, fast splice times, durable designs, and smart features like cloud syncing and automated calibration.



## What type of fusion splicer is used for 654 optical cable

---



### **Fusion Splicer INNO View 6S + Cleaver V7, Spare Electrode Pair,**

Inno View 6S is a fusion splicer with core alignment option, designed for installation companies that splice optical fibers on a daily basis. It allows for seamless, continuous operation under various

[Contact Us](#)

### **Fiber Optic Fusion Splicer , Fiber Optic Splicing , Fiber Splice Kit**

Most of these fusion splicer kits are in stock and typically ship within 24 business hours. Are the fusion splicer kits compatible with all types of fiber optic cables? These fusion splicer kits are compatible

[Contact Us](#)



### **High Fiber Count Optical Cables Solutions with FREEFORM Ribbon(TM)**

Our mass fusion splicer, TYPE-72M12, combined with dry cable construction brings you a dramatic working efficiency. By splicing 12-fiber ribbons at once, the splicing time is up to 5 times faster than

[Contact Us](#)

### **A complete guide to fiber optic fusion splicing from start**

What is Fusion Splicing? How fiber optic splicers work, types, what they are used for. Steps to use this equipment and including how to test your fiber splice.



### **What Is A Fusion Splicer Machine. Optical Fiber Fusion Splicer Types**

A fusion splicer is quite a spectacular splicing machine that helps to ease the fiber fusion splicing technique for connecting two pieces of optical fiber cables. In this process, two pieces of fiber wire

[Contact Us](#)



### **Fusion Splicing of Fibers - electric discharge, fusion**

For indoor transmission cables, one usually uses mechanical splices or fiber connectors, avoiding the use of expensive fusion splicers. Fusion splicing is also

[Contact Us](#)



### **Fusion splicing**

Fusion splicing is the act of joining two optical fibers end-to-end. The goal is to fuse the two fibers together in such a way that light passing through the fibers is not

[Contact Us](#)

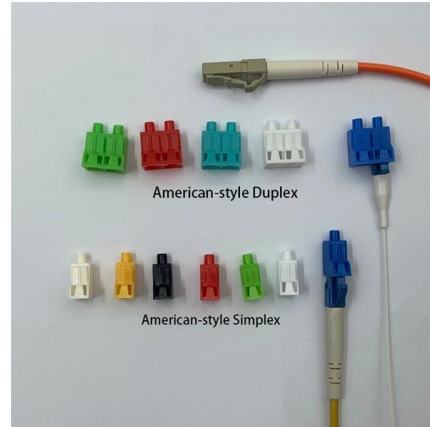




## Freelance Fiber Optic Splicer Jobs in Oklahoma (NOW HIRING)

To thrive as a Freelance Fiber Optic Splicer, you need expertise in fiber optic installation, fusion splicing, cable testing, and troubleshooting, often supported by a technical diploma or industry-recognized

[Contact Us](#)



### Core-to-Core Alignment Fibre Splicer (with 4 Electrode Pairs)

Core-to-core alignment fibreglass splicer/core alignment optical fibre fusion splicer SS413F is a high-performance fibreglass splicing device (LWL splicer/fibre optic splicing/fibre optic cable splicing/optical fibre fusion splicer/optical fibre welding machine) with advanced graphics processing technology.

[Contact Us](#)

### What Is A Fusion Splicer Machine. Optical Fiber Fusion Splicer Types

The fusion splicer machine is used for this splicing process where it uses an electric arc to melt the ends of the two cables and making them mate together permanently.

[Contact Us](#)



### What is a Fiber Optic Pigtail, and What Is It Used For?

A fiber optic pigtail is a type of fiber optic cable with only one end that has a factory-terminated connector and the other end exposed as bare fiber. A

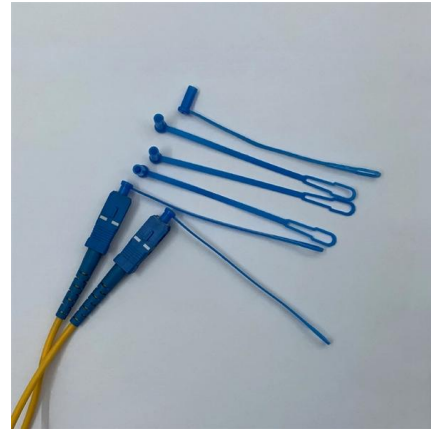
[Contact Us](#)



## JETFIBER X6+ Fusion Splicer for Telecom Infrastructure , Shenzhen

We're excited to showcase the JETFIBER X6+ Fusion Splicer in action. Engineered with advanced core alignment technology, the X6+ delivers ultra-precise splicing, extremely low loss, and consistent

[Contact Us](#)



### Fusion Splicing of Fibers - electric discharge, fusion

Fusion splicing of fibers is a technique of making low-loss fiber joints by fusing fiber endfaces together. It is widely used in fiber optics.

[Contact Us](#)



### The FOA Reference For Fiber Optics

In addition to the splicer and cleaver, the tech doing the splicing will need a set of cable preparation and fiber stripping tools. Since much fusion splicing is done in

[Contact Us](#)



### M5 Fiber OFusion Splicer for Precise FTTH Splicing

The M5 Fiber Optic Fusion Splicer is an intelligent, fully automatic fusion tool engineered for fast, accurate, and reliable splicing of SMF, MMF, DSF,

[Contact Us](#)

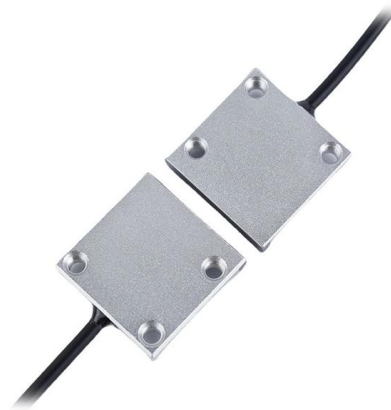




## How To Master Fusion Splicer For Fiber Optic Cables?

Designed for simultaneous fusion of multiple strands, up to 12 at once, ribbon splicers increase efficiency and reduce splicing time for large count fiber optic cables.

[Contact Us](#)



## Fiber Optic Emergency Repair Kit: What Every Technician Needs

Every field technician needs a properly stocked fiber optic emergency repair kit. This guide covers what should be in that kit, why each item matters, and how to use them under pressure.

[Contact Us](#)

## The Fusion Splicer: A Brief Introduction , Jonard Tools

A fusion splicer is a specialized device used to join two optical fibers end-to-end through the process of fusion. By aligning the fibers precisely and

[Contact Us](#)



## NEW Fujikura Core Alignment Fusion Splicer 90S+ with CT-50

Description The FujiAkara 90S+ Splicer Machine Kit is a cutting-edge and highly advanced solution for seamless and precise fiber optic splicing in the telecommunications and networking

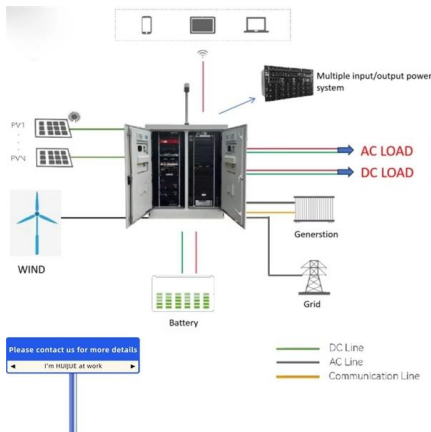
[Contact Us](#)



## OPTICAL FIBER FUSION SPLICER AI-9 Signal Fire

The AI-9 optical fiber fusion splicer uses the high-speed image process technology and special exact orientation technology, so that the whole process of fiber's

[Contact Us](#)



## Fusion Splicer

In today's high-speed digital world, reliable fiber optic networks are the backbone of global communication. Whether you're working in telecommunications, data centers, or military

[Contact Us](#)

## The FOA Reference For Fiber Optics

Splitting all those fibers out to splice individually would be time consuming, so ribbon fusion splicers, also called mass fusion splicers, can splice entire ribbons at one

[Contact Us](#)



## What Are the Different Types of Fusion Splicers? , CMW

Discover the differences between core alignment, cladding alignment, and ribbon fusion splicers. Learn which type suits your project needs.

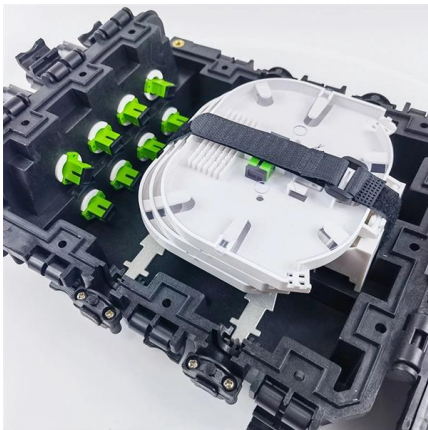
[Contact Us](#)



## How to use fiber optic fusion splicers?

As fiber optic technology grows, fiber optical fusion splicers have become essential for cable installation and maintenance. These devices

[Contact Us](#)



## What are the different types of fiber optical fusion splicers

A ribbon fusion splicer or quality fusion splicer is exactly what it sounds like; it is a fusion splicer used to splice ribbon optical fibers together. In this case, instead of

[Contact Us](#)

## Fiber Optic Cable Technician: 8% Boom in 2026

Fusion Splicer: Uses an electric arc to melt two glass fibers together. OTDR (Optical Time-Domain Reflectometer): The "radar" of the fiber world, used to find breaks and measure the quality of

[Contact Us](#)



## Fusion Splicers Demystified: Choosing the Right Model for Your Fibre

Whether you're setting up a new fiber team or upgrading outdated equipment, TT Instruments has reliable fusion splicer options in stock and ready to ship. We also offer expert

[Contact Us](#)



### **Top 5 Fusion Splicers for 2025: Precision Tools for Fiber**

A fusion splicer is a precision tool used to join two optical fibers by fusing them together with an electric arc. This process minimizes signal loss and

[Contact Us](#)



## **Contact Us**

---

For datasheets, pricing, or custom fiber access solutions, please visit:  
<https://frindel.es>