

What is the meaning of the distribution box wy



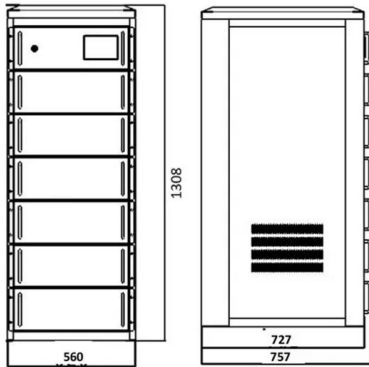


Overview

A distribution box, also known as a distribution panel or board, is a cabinet that holds electrical parts used to supply power to multiple circuits within a system. It acts as the central point where electricity distribution is managed inside a building. It is widely employed in residential, commercial and industrial set-ups for circuit control and protection. We also highlight how reliable manufacturers like NUOMAK support stable, compliant, and cost-effective power distribution.



What is the meaning of the distribution box wy



Ultimate Guide To Distribution Boxes Db Boxes Types

What Does a Distribution Box Do? A Distribution Box, commonly known as a DB Box, serves as the central point for safely distributing electrical power from a main

[Contact Us](#)

Nagaland News, India News, Northeast News

The Morung Express brings the Latest News, Top Breaking headlines on Politics and Current Affairs in Nagaland India and around the World, Naglaand News, Naga

[Contact Us](#)



What is SEO? An Introduction to SEO Basics

At its core, the meaning of search engine optimization (SEO) is increasing your website's visibility in the organic search results of major search engines.

[Contact Us](#)



Top Content on LinkedIn

Explore top LinkedIn content from members on a range of professional topics.

[Contact Us](#)



SendFromChina , Best China Fulfillment Center

SFC China Fulfillment Center provides the best third-party logistics (3PL) services in China such as warehousing, picking and packing, and global door-to-door shipping.

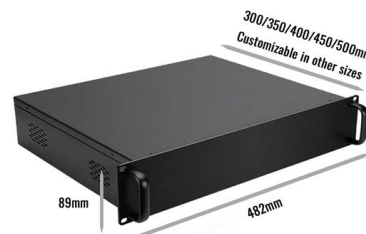
[Contact Us](#)



What is a Distribution Box? - A Comprehensive Guide

So, what is a distribution box? It organizes and controls power flow, ensuring safety and efficiency. By managing circuits individually, it prevents

[Contact Us](#)



Understanding Normal Distribution: Key Concepts and

Discover normal distribution--a critical concept in finance--and its key properties, formula, and real-world applications. Learn how it impacts financial

[Contact Us](#)





What Is an Electrical Distribution Box? A Complete Guide

An electrical distribution box is a centralized unit responsible for distributing electrical power across multiple circuits within various

[Contact Us](#)



Distribution Box vs Control Box vs Junction Box: Key

What Is a Distribution Box? A distribution box, also known as a distribution board or panel, is the central unit that distributes incoming electrical

[Contact Us](#)

TechTarget

TechTarget provides purchase intent insight-powered solutions to identify, influence, and engage active buyers in the tech market.

[Contact Us](#)



LATEST COMMUNICATION SERVICES STOCK ANALYSIS

Seeking Alpha's latest contributor opinion and analysis of the communication service sector. Click to discover stock ideas, strategies, and analysis.

[Contact Us](#)



Per diem rates

Per diem rates We establish the per diem rates that federal agencies use to reimburse their employees for lodging and meals and incidental expenses incurred while on official travel within

[Contact Us](#)



Understanding Distribution Boxes:A Comprehensive Guide

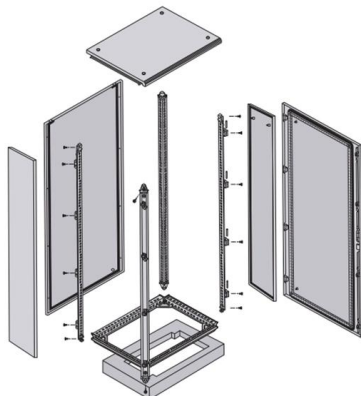
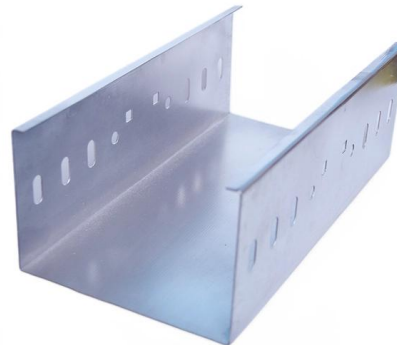
What is the distribution box? A distribution box, also known as a distribution panel or board, is a cabinet that holds electrical parts used to supply power to multiple circuits within a

[Contact Us](#)

WORLD WIDE WEB JOURNAL Home

will open to start the export process. The process may take but once it finishes a file will be downloadable from your browser. You may continue to browse the DL while the export process is in

[Contact Us](#)



Press corner , European Commission

Find highlights, press releases, and speeches from the European Commission in one place.

[Contact Us](#)

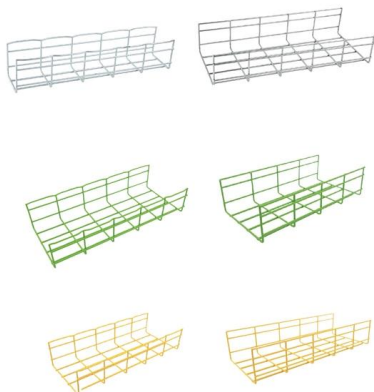
Distribution Box Guide: Types, Components



& Solutions

What is a Distribution Box? A distribution box, or DB box, is a circuit breaker enclosure. It is a vital part and central hub of any electrical system. The

[Contact Us](#)



waifu-diffusion/tokenizer/vocab.json at main · jack-op11/waifu

Contribute to jack-op11/waifu-diffusion development by creating an account on GitHub.

[Contact Us](#)

What are exchange traded funds (ETFs)? , Vanguard

An ETF is a collection of stocks or bonds in a single fund that trades on major stock exchanges. Learn how ETFs work to decide if they're right for you.

[Contact Us](#)



Understanding Distribution Boxes: A Comprehensive Guide

By knowing their great importance, this article explains what a distribution box is, how it works, what its structure looks like, what types of

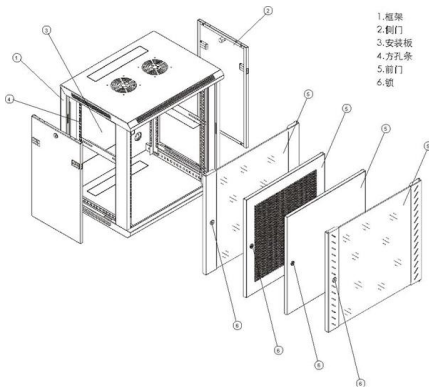
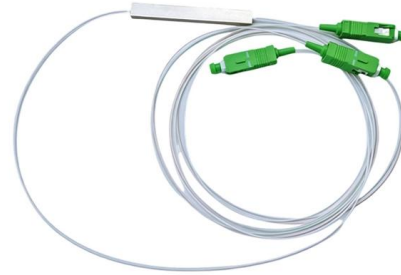
[Contact Us](#)



Business Design News & Trends

Find the latest Design news from Fast company. See related business and technology articles, photos, slideshows and videos.

[Contact Us](#)



Testing for Normality using SPSS Statistics

Transfer the variable that needs to be tested for normality into the D dependent List: box by either drag-and-dropping or using the button. In this example, we transfer the Time variable into the D dependent

[Contact Us](#)

1099-R Distribution Codes Explained for 2026 , BoomTax

Learn what 1099-R distribution codes mean and how they affect your taxes. Expert guide to all Box 7 codes with examples.

[Contact Us](#)



Understanding Distribution Boxes: A Comprehensive Guide

A distribution box is used to receive electrical power from a main supply and distribute it to multiple branch circuits in a safe and controlled way. It helps protect circuits, organize electrical

[Contact Us](#)



Ars Technica



News and reviews, covering IT, AI, science, space, health, gaming, cybersecurity, tech policy, computers, mobile devices, and operating systems.

[Contact Us](#)



What is the function of a distribution box?

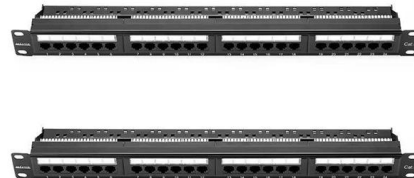
Just as a heart receives blood and pumps it to various parts of the body, the distribution box receives the main electrical supply and safely distributes it to different circuits throughout your

[Contact Us](#)

Normal distribution , Definition, Examples, Graph,

Normal distribution, the most common distribution function for independent, randomly generated variables. Its familiar bell-shaped curve is

[Contact Us](#)



What is a DB Box? Types, Wiring, Selection Guide

Learn everything about DB box (distribution box): what they are, how they work, wiring diagrams, types, and how to choose the right one.

[Contact Us](#)

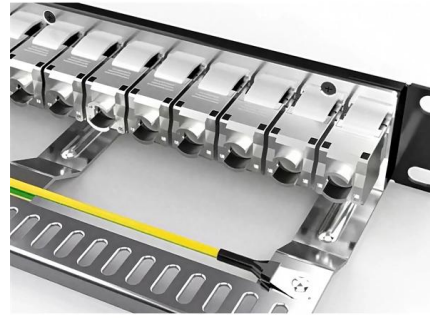
[unsupervised_topic_modeling/topics/en/15/](#)



50/100/topics at

Contribute to
annontopicmodel/unsupervised_topic_modeling
development by creating an account on GitHub.

[Contact Us](#)



Contact Us

For datasheets, pricing, or custom fiber access solutions, please visit:
<https://frindel.es>