

What is the fiber optic cable reinforcement core





Overview

The core of a fiber optic cable is the thin glass or plastic center through which light signals travel. It's the functional heart of the cable, typically made of ultra-pure silica (silicon dioxide), and its diameter can be as narrow as 9 microns, roughly one-tenth the width of a hair. Professionals in telecommunications, data centers, and network infrastructure must understand the core functions and why they are fundamental to their fiber optic. The core and the cladding are the most critical components of an Optical Fiber cable.



What is the fiber optic cable reinforcement core



ADSS Fiber Optic Cable, Price And Specifications

ADSS fiber optic cable, which stands for "all-dielectric self-supporting optical cable," uses special materials and a built-in support system. This ADSS fiber meaning

[Contact Us](#)

Cable Core

Cable core is defined as the component in which optical fibers with a secondary coating are rejoined together, typically achieved by stranding the fibers or tubes around central elements that also serve



[Contact Us](#)

How the Core of a Fiber Optic Cable Works

Understanding how these components function is key to grasping the mechanism that powers the internet and instant digital exchange. The core is the center of the fiber optic cable, acting

[Contact Us](#)



ADSS Fiber Optic Cables Types Prices & Technical

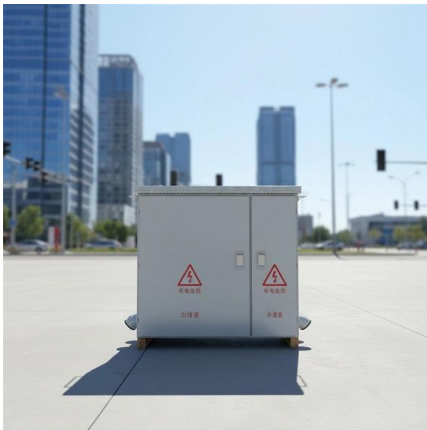
ADSS cable is ideal for installation in distribution as well as transmission environments. Since the ADSS cables provide an optimal solution for a broader



8 Core Indoor Fiber Optic Cable SM LSZH Price

8 Core GJFJV Indoor Fiber Optic Cable SM Single-mode Multi-Core Tight Buffered LSZH Distribution Indoor optical Fiber Cable is made of multi-strand aramid yarn,

[Contact Us](#)



Single-Mode GYXTW Outdoor Fiber Optic Cable 2/4/6/8/12/16/24 Core

Single-Mode GYXTW Outdoor Fiber Optic Cable 2/4/6/8/12/16/24 Core Steel-Reinforced for Industrial Park & School Campus

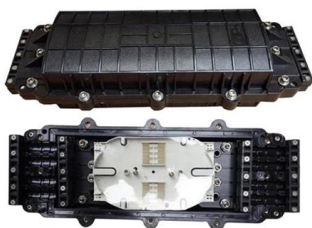
[Contact Us](#)



What is 12 core fiber optic cable?

In summary, the 12 core fiber optic cable is a versatile and efficient solution for modern communication needs. Its ability to handle multiple data streams,

[Contact Us](#)





Fiber Optic Cable Filling Compound: Core Functions and Technical

Fiber optic cable filling compound is not ordinary "grease" or "petroleum jelly," but rather a semi-transparent paste-like functional material composed of base oils, thickening systems, water-blocking

[Contact Us](#)



Fiber Optic Cable Core: The Heart of High-Speed

In fiber optic technology, the fiber optic cable core consists of thin strands of glass or plastic, typically 8 to 62.5 microns in diameter, surrounded by

[Contact Us](#)



Outdoor 2-Core Fiber Optic FTTH Drop Cable-1000m

Product Description This FTTH Drop Cable is used in high speed and broadband telecommunication applications. It is suitable for both indoor and outdoor

[Contact Us](#)



Fiber Optic Patch Cable, Fiber Optic Patchcord US Conec MTP

The tensile strength of 3.0mm cable is approximately 1.52 times that of 2.0mm cable. The thicker internal reinforcement core allows it to withstand greater tension and is less susceptible to damage

[Contact Us](#)



The role of FRP fiber optic cable



strengthening core in optical cable

Fiber optic cable strengthening core plays a vital role in the protection of the cable structure, and as one of the fixed fiber optic cable structural components, plays a major role in enhancing the cable tensile

[Contact Us](#)



What Is a Fiber Optic Cable Core and How Does It Work?

It's the functional heart of the cable, typically made of ultra-pure silica (silicon dioxide), and its diameter can be as narrow as 9 microns, roughly one-tenth the width of a human hair.

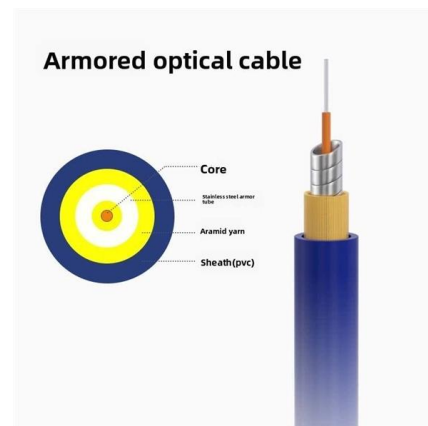
[Contact Us](#)



Week 4 Async , Worksheet

Study with Quizlet and memorize flashcards containing terms like A Core B Cladding C Acrylate Coating D Buffer Jacket E Strength Members F Polyurethane Outer

[Contact Us](#)



GYFTA53 Loose Tube Layer Stranded Non-metallic

Loose Tube Layer Stranded Non-metallic Reinforced Core Armored Flame-retardant Optical Cable is designed for superior performance and durability in outdoor

[Contact Us](#)





4 Core Multimode OM3 Indoor Fiber Cable 50/125um PVC

4 Core GJFJV Indoor optical fiber cable 50/125um 10G OM3 Multimode Multi-Core Tight Buffered PVC Distribution Indoor optical Fiber Cable is made of multi-strand

[Contact Us](#)



Understanding the Components of Optical Fiber Cables:

In this article, we will discuss the core, cladding, buffer coating, strength member, and protective outer jacket of Optical Fiber cables, and explore their importance

[Contact Us](#)

GJFJV Mini Round Optical Fiber Cable - Compact

GJFJV mini round fiber cable provides flexible and compact optical transmission for indoor distribution networks, available in multiple core counts.

[Contact Us](#)



24 Core Outdoor Armored Double Jacket Fiber Optic Cable

24 Core Fiber Optic Cable GYTY53 Outdoor Armored Double Jacket Waterproof Gel Filled loose tube direct burial is used for direct buried underground, it suit for long

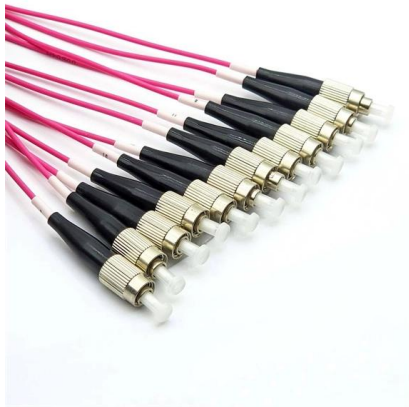
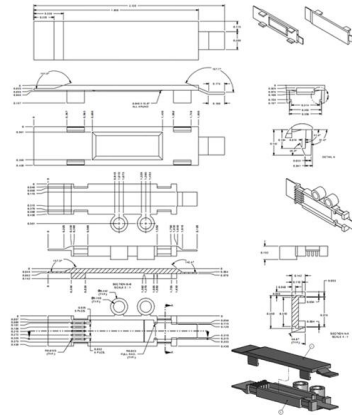
[Contact Us](#)



24 Cores GYTA53 Fiber Optic Cable Direct Buried

24 Cores GYTA53 fiber optic cable Double Armored & Double PE Sheathed is the steel tape armored outdoor fiber optic cable and gel-filled PBT

[Contact Us](#)



The Essential Guide to Fiber Optic Cable Core: Understanding Its

Discover the vital role of the fiber optic cable core in transmitting light signals. This essential guide covers functionality, types, and applications of optical fibers.

[Contact Us](#)

Optical Fiber Cable Manufacturers & Suppliers , Usha Martin

UM Cables is a dedicated manufacturer and exporter of high-quality optical fiber cable, telecommunication cable, Fiber Reinforced Plastic Rod (FRP) and Impregnated Glass Fiber Roving.

[Contact Us](#)



All You Need to Know About Fiber Optic Cable Core

Understand the structure, types, performance and maintenance of the fiber optic cable core -- from single/multi-mode to common faults and solutions.

[Contact Us](#)



Basic Components of a Fiber Optic Cable - trueCABLE

What is the Fiber Optic Core? The fiber optic cable core is the physical glass medium that transports optical signals from an attached light

[Contact Us](#)



Aerial Cable, GYTC8S Fiber Optical Cable Figure 8 SM

The structure of the standard figure-eight self-supporting stranded optical cable is that single-mode or multi-mode optical fiber is sheathed in a loose tube made of

[Contact Us](#)

Contact Us

For datasheets, pricing, or custom fiber access solutions, please visit:
<https://frindel.es>