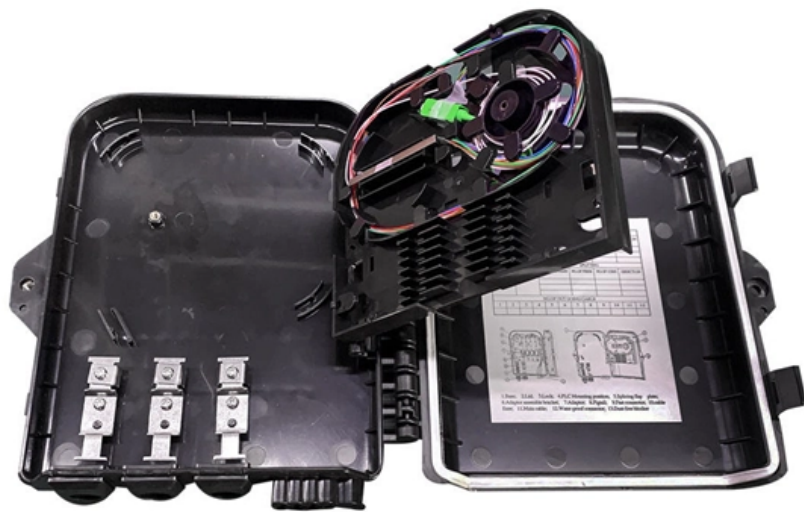
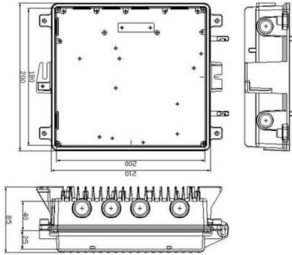


What is the appropriate distance between the wiring cabinet and the distribution cabinet





What is the appropriate distance between the wiring cabinet and the



Analysis of Problems and Measures for Power

Learn to identify & prevent power distribution cabinet installation problems like wiring errors, poor grounding, and safety risks to ensure building

[Contact Us](#)

The installation requirements for the distribution box

In this guide, we'll break down everything you need to know to install a distribution box correctly and confidently. Choose the right box based on

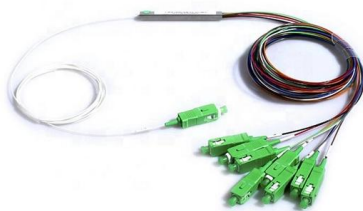
[Contact Us](#)



How to determine the size, installation method and

The distance between distribution box and switch box shall not exceed 30m. The horizontal distance between the switch box and the fixed electrical equipment

[Contact Us](#)



Uncovering the Secrets of Power Distribution Cabinets:

Evaluate the available space for installation and select a cabinet with compatible dimensions while leaving room for convenient wiring and

[Contact Us](#)



Key Standards for Electrical Cabinet Wiring Practices

Discover the key standards for industrial electrical cabinet wiring, including wiring diagrams, circuit breakers, and safety

[Contact Us](#)



Ultimate Guide to Choosing the Perfect Distribution

Discover the essential insights you need with our Ultimate Guide to Choosing the Perfect Distribution Cabinet for Your Needs. This comprehensive

[Contact Us](#)



Best Practices for Installing and Maintaining Distribution Cabinets

When it comes to installing distribution cabinets, one of the first considerations should be the location. The chosen location should be easily accessible for maintenance and inspection while

[Contact Us](#)

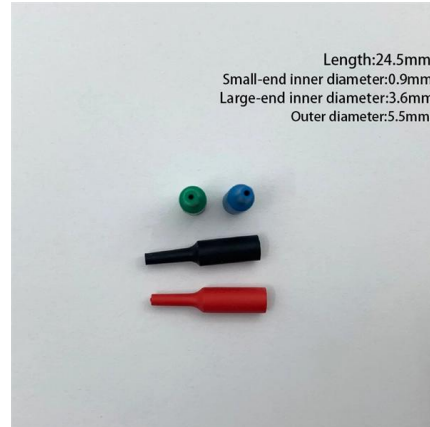
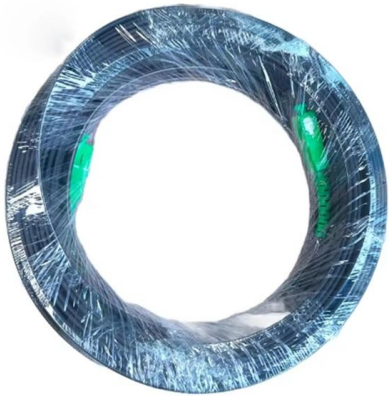




Control Panel Layout And Wiring Best Practices

The quality of the wiring methods used in an industrial control panel can vary quite widely. This article summarizes what this author believes are some best practice when it comes to control panel layout

[Contact Us](#)



IEC / BS 7671 Codes for Consumer Unit and Distribution

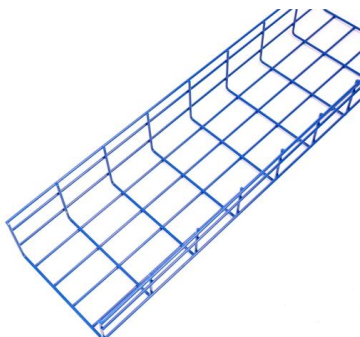
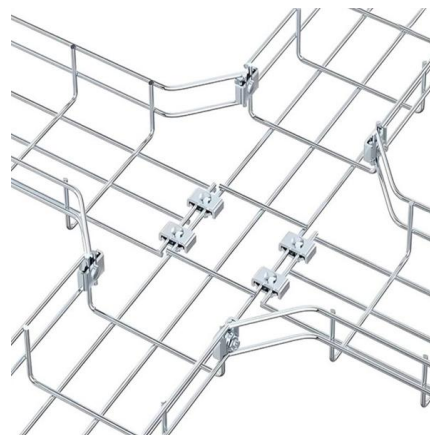
Residential: The recommended height for distribution board and consumer unit is between 1 metre to 1.8 metre from the floor. The suggested height is 1.3 metres

[Contact Us](#)

FAQ'S

A: The new standard supersedes AS/NZS 3000:2007 from its date of publication on 26th June 2018. There is a 6 month transition period permitted for work commenced before the publication of the

[Contact Us](#)



Comprehensive Guide to Telecom Cabinet Wiring and

Optimize your telecom cabinet wiring with the right cables. Learn about wire specifications, safety standards, and best practices for reliable performance.

[Contact Us](#)



Network cabinet placement and wiring tips

Network cabinet placement and wiring tips Many network devices are stored in the cabinets. In order to meet the normal operation of these devices in

[Contact Us](#)



WAC 296-46B Electrical Safety Standards, Administration, and

WAC 296-46B Electrical Safety Standards, Administration, and Installation State of Washington L& I Electrical Program

[Contact Us](#)

Control Panel Layout And Wiring Best Practices.

The quality of the wiring methods used in an industrial control panel can vary quite widely. This article summarizes what this author believes are some best practice when it comes to

[Contact Us](#)



Proper Wire Duct Layout , Education Series , RSP Supply

Proper_Wire_Duct_Layout.pdf Transcript: [0m:4s] Hi, I'm Josh Bloom. Welcome to another video in the RSP Supply Education series. If you find that these videos are helpful to you, it certainly helps us out

[Contact Us](#)



Power Distribution Cabinet Wiring Specifications And

The power distribution cabinet and lighting distribution cabinet should be set separately. If they are placed together in the same distribution box, power

[Contact Us](#)



Requirements for spacing between cabinet columns

The spacing arrangement of cabinet rows should be comprehensively determined based on the size of the operating space, cable direction, cabinet heat dissipation, cabinet power supply,

[Contact Us](#)

Electrical Clearances: Requirements and Safe Distances

The clearance is always measured from the lowest point of the conductor's sag between attachment points, not from where the wire connects to the pole or building.

[Contact Us](#)



Installation Requirements and Dimensions for Power

Power switches and wiring should be positioned at the rear. The rear width of the cabinet should be at least 1.5 m, and the insulated base should be

[Contact Us](#)



Choosing the Right Power Distribution Cabinet for Your Electrical Needs

FAQ Why is it important to select the right power distribution cabinet? Selecting the right power distribution cabinet is crucial for ensuring system reliability, efficiency, and safety. An

[Contact Us](#)

DATA ADJUSTABLE, EASY TO USE



SET INCREASE DECREASE POWER SWITCH

Wiring Distribution

Wiring distribution techniques and approaches, including IDF, MDF, Demarc, Demarc extension, smart jack, CSU/DSU & more on wiring distribution.

[Contact Us](#)



Guidance on installing equipment within meter

The space within such cabinets is limited and typically allocated for specific usages by the distributor and energy supplier and therefore, should not

[Contact Us](#)



Your Guide To NEC Electrical Panel Clearance

The National Electrical Code establishes electrical panel clearance requirements to ensure that the panel operates safely and has a clear space in

[Contact Us](#)





Requirements for spacing between cabinet columns

The width of the walkway between the side of the cabinet and the wall should not be less than 1000mm; the width of the walkway between two parallel rows of cabinets should not be less

[Contact Us](#)



How far apart should electrical and network wiring be from

I'm planning to wire electrical and networking cable in a new home, how far apart should the two types of wiring be from each other? I've heard many different rules of thumb, such as: the two types of wiring

[Contact Us](#)

Contact Us

For datasheets, pricing, or custom fiber access solutions, please visit:
<https://frindel.es>