

# What is spectrometer cracking





## Overview

---

Causes include dust on optical components (mirrors, lenses) or imperfections in the monochromator. Stray light is most problematic at the edges of the instrument's working range where source intensity and detector sensitivity are. The Cracking Patterns table lists Mass Spectrometry peaks for cracking patterns of simple inorganic and organic molecules. Q1: What is stray light and how does it affect my spectrophotometric measurements?

Stray light, often referred to as "false" light, is any detected signal composed of wavelengths outside the intended measurement bandpass. If your spectrometer isn't calibrating or is showing unusually noisy or high absorbance values (often above 3 or blank), the issue may be due to insufficient light reaching the detector.



## What is spectrometer cracking

---



### **My Spectrometer is not working properly. It won't calibrate or is**

Almost no light reaches the detector. In these cases, the difference between the light and dark signal may be too small to produce reliable readings. There are a few possible causes. Review

[Contact Us](#)

### **MSc Physics of Advanced Semiconductor Materials**

Cracking patterns are a function of electron energy. Even at 'standard' electron energies (e.g. 70 eV) the cracking pattern for any chosen molecule will show

[Contact Us](#)



### **What Is A Spectrometer?**

A spectrometer is a common tool used by various scientists to determine information about an object or substances through the analysis of its

[Contact Us](#)



### **Monitoring corrosion fatigue crack formation on drill steel using**

The corrosion fatigue crack formation on drill steel was studied using electrochemical impedance spectroscopy in a novel experimental setup, where the fatigue testing and



### Cracking Process Analysis with Raman Spectroscopy

Cracking Process Analysis with Raman Spectroscopy After distillation, heavier, lower-value fractions require further processing to create lighter, higher-value

[Contact Us](#)



### Spectrophotometer Troubleshooting Guide

Spectrophotometer Troubleshooting Guide In a basic biology lab class, a spectrophotometer appears pretty robust and easy to use. That's still the

[Contact Us](#)



### What common issues can be identified through

Spectrometer testing can identify several common issues with filters, including: Low transmission rates: If too little light is passing through, it can

[Contact Us](#)





### **RESIDUAL GAS ANALYSIS (RGA) A Luxury, or Vital Diagnostic Tool**

Low cost mass spectrometer a very powerful diagnostic tool and process monitor Leak Detector Vacuum Troubleshooter Process characterisation Understand your vacuum system: water, outgassing, leaks

[Contact Us](#)



### **FTIR Troubleshooting Guide , Madison Instruments**

Using our vast FTIR service experience we have compiled this list of symptoms and causes for ailments common to all FTIR systems, regardless of the vendor. This list will be updated frequently. Please

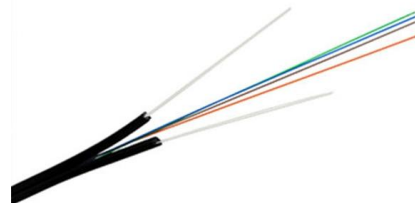
[Contact Us](#)



### **Sage Journals: Your gateway to world-class journal research**

Hier sollte eine Beschreibung angezeigt werden, diese Seite lässt dies jedoch nicht zu.

[Contact Us](#)



### **Spectrometer Calibration: Ensuring Accuracy in Spectral**

This article will discuss the value of calibrating a spectrometer, the calibration procedure, and the methods utilized to get precise spectrum reading.

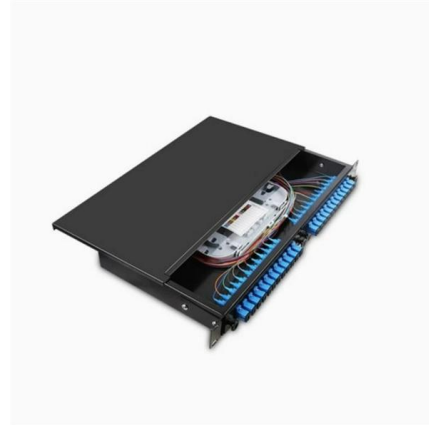
[Contact Us](#)



## 11.8: Fragmentation Patterns in Mass Spectrometry

When interpreting fragmentation patterns, as you might expect, the weakest carbon-carbon bonds are the ones most likely to break.

[Contact Us](#)



## Troubleshooting Common Spectrometer Issues

Learn how to troubleshoot common spectrometer issues and get better results. Discover expert-backed support from NE LabSystems.

[Contact Us](#)

## Development of a Novel Acoustic Spectroscopy Method

Non-destructive testing (NDT) for eggshell faults is highly important for the egg industry, as cracked eggs account for around 3% of total production. The

[Contact Us](#)



## Detecting Slips, Scratches, Cracks In Wafers And Dies

Dicing wafer into dies can create die-level cracks along the sidewalls (i.e. edges). Also, this step can accentuate sub-surface cracks introduced during

[Contact Us](#)



## Spectrometer

Spectrometer An XPS spectrometer A spectrometer (/ spek'tr?mlt?r /) is a scientific instrument used to separate and measure spectral components of a physical

[Contact Us](#)



## Cracking Patterns , Mass Spectrometry , Hiden Analytical

The Cracking Patterns table lists Mass Spectrometry peaks for cracking patterns of simple inorganic and organic molecules. Click here to learn more.

[Contact Us](#)

## How to Troubleshoot a Spectrum That Looks Wrong

Spectral anomalies represent a persistent challenge in analytical laboratories, compromising data integrity and necessitating systematic diagnostic protocols.

[Contact Us](#)



## Spectrophotometer Troubleshooting: 15 Common Problems

need Spectrophotometer Troubleshooting? Our troubleshooting guide helps you solve 15 common problems like noisy baselines, negative absorbance, and calibration errors. Get clear solutions now.

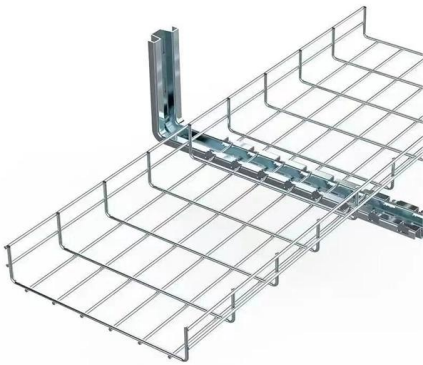
[Contact Us](#)



## Troubleshooting Common Spectrometer Issues , Verichek

Although optical emissions spectrometers are relatively sturdy instruments, they do require regular maintenance. Even if a spectrometer is properly maintained, wear and tear will mean that it may

[Contact Us](#)



## Spectrophotometer Best Practices

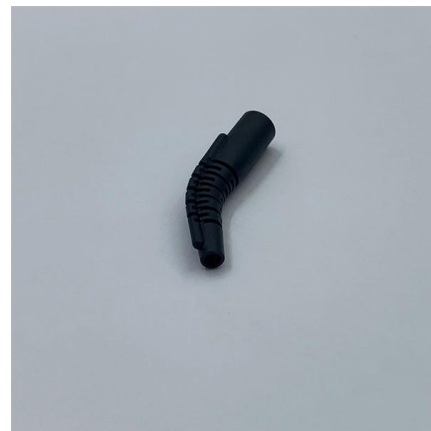
Optimize your color analysis with spectrophotometer best practices. Explore essential tips and techniques for accurate and reliable results. ,

[Contact Us](#)

## SpectraInsights

Q3: How can improper optical alignment in a spectrometer affect my results? Misalignment in the spectrometer's optics, such as a misaligned lens in a probe, can prevent the instrument from

[Contact Us](#)



## Elemental Analysis Solutions & Analytical Instruments , SPECTRO

SPECTRO is a global leading supplier of advanced analytical instruments like ICP, Arc Spark OES, and XRF spectrometers for precise elemental analysis of materials.

[Contact Us](#)



## Spectrometer

A spectrometer is any instrument used to view and analyze a range (or a spectrum) of a given characteristic for a substance (e.g., a range of mass-to-charge values)

[Contact Us](#)



## Spectrometers for Elemental Spectrochemical Analysis, Part I: The

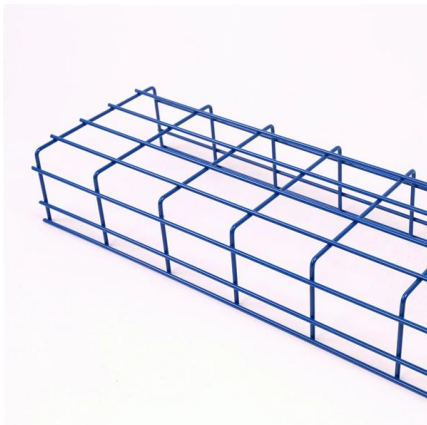
Spectrometers for Elemental Spectrochemical Analysis, Part I: The Basic Spectrometer An overview of the instrumentation used in elemental spectrochemical analysis. A spectrometer consists

[Contact Us](#)

## 11.8: Fragmentation Patterns in Mass Spectrometry

This page looks at how fragmentation patterns are formed when organic molecules are fed into a mass spectrometer, and how you can get information from the mass spectrum.

[Contact Us](#)



## Spectroscopy 101 - Introduction

Spectroscopy is also used in a wide variety of fields outside astronomy, including materials science, Earth science, medicine, forensics,

[Contact Us](#)



## Contact Us

---

For datasheets, pricing, or custom fiber access solutions, please visit:  
<https://frindel.es>