

What is a circular optical cable connector





What is a circular optical cable connector



Fiber Optic Cable Types: A Complete Guide

The plethora of fiber optic cable types can seem overwhelming, but choosing the right cable for the job is important.

[Contact Us](#)

Fiber Optic Color Code Explained: Jacket, Connector

Understand fiber optic color codes with this complete guide. Learn about jacket colors, buffer color standards, connector IDs, and practical visuals.

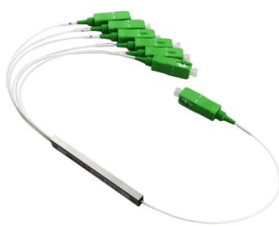
[Contact Us](#)



Electronic Components and Parts Search , LCSC Electronics

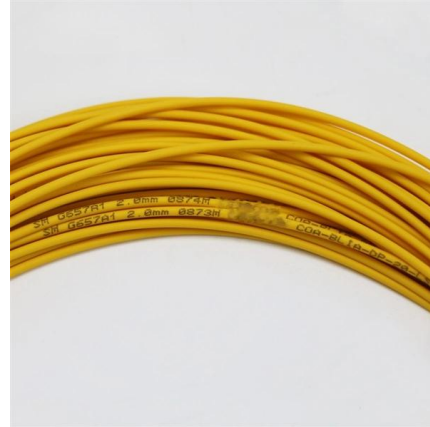
Cable Assemblies Barrel Connector Cables
Assemblies 335 items Barrel Audio Cables 322
items Barrel Power Cables 13 items Between
Series Adapter Cables Assemblies 2,866 items
Circular Cable

[Contact Us](#)



Ethernet Cables Types: Cat 3, 5, 5e, 6, 6a, 7, 8 Wires

This tutorial explains the Definition of ethernet cables, ethernet cable types, shielded cables, and Ethernet cables categories like Cat 3, 5, 5E, 6, 6a, 7,



Choosing the Right Circular Connector: Types & Applications Explained

Optical Circular Connectors: Used for transmitting light signals instead of electrical ones, perfect for high-speed data applications. Each type of connector has specific features that make them suitable

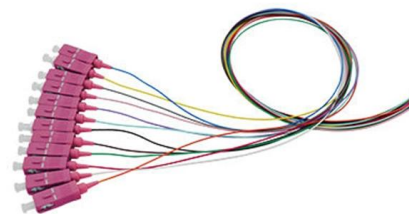
[Contact Us](#)



Here's What The Optical Audio Port On Your TV Is For

Next, remove any covers from your Toslink cables and connect one end of your digital audio cable to your TV's optical audio output port, which is

[Contact Us](#)



Amphenol CIT

Our extensive product range includes wire and cable solutions, specialty connectors, precision contacts, SATCOM systems, and custom engineering. These offerings

[Contact Us](#)



An Introduction to Circular Connectors and Cables

Circular connectors are cylindrical electrical devices of varying size that are designed to withstand a range of harsh environments.

[Contact Us](#)



A Comprehensive Guide to Circular Connectors

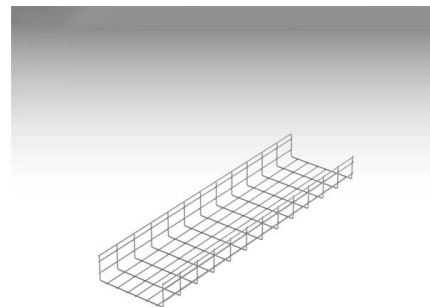
A circular connector is a connector that uses a multi-pin electrical interconnect method to power electrical devices, transmit data, or transmit

[Contact Us](#)

Complete Guide to Circular Connector Types & Applications

These round-shaped plugs and sockets are designed to connect cables, wires, and systems with precision. At first glance they

[Contact Us](#)



Grid Cable for marine and offshore applications

What is a Fiber Optic Pigtail, and What Is It Used For?

A fiber optic pigtail is a type of fiber optic cable with only one end that has a factory-terminated connector and the other end exposed as bare fiber. A

[Contact Us](#)





Amphenol Socapex

Our reliable, tested, and robust connectors are engineered to meet the rigorous demands of the aerospace industry. Explore a range of space-ready connectors

[Contact Us](#)



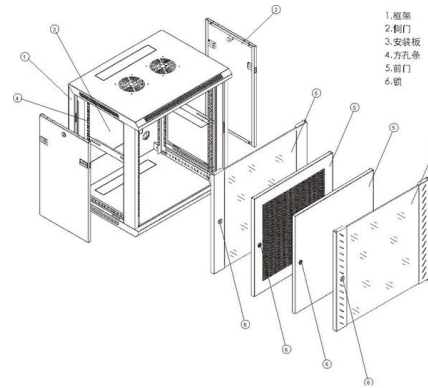
Amphenol Aerospace

Amphenol Aerospace designs and manufactures QPL Mil-spec and custom circular and rectangular electrical and electronic connectors for the military and

[Contact Us](#)



A Comprehensive Guide to Circular Connectors



Circular Fiber Connector 4000 & 6000 Series

Circular Fiber Connectors for use in industries such as outdoor broadcast, FTTX (fiber to the x), server room engineering, civil engineering, marine, aviation and rail applications.

[Contact Us](#)



An Introduction to Circular Connectors and Cables

This article will primarily focus on standard circular connectors and cables, including their basic construction, designations and codes, selection

[Contact Us](#)



What is the difference between circular and rectangular connectors? Circular connectors have a compact and streamlined design, while rectangular

[Contact Us](#)



Multi-fiber Push On (MPO) Connectors

Multi-fiber push on connectors, or MPOs, are fiber cable connectors comprised of multiple optical fibers. Learn more at Fluke Networks.

[Contact Us](#)



Fiber Optic Connectors , Circular Connectors

M28876 Fiber Optic Connectors Amphenol Fiber Systems International manufactures a complete line of circular fiber optic connectors including M28876

[Contact Us](#)



Circular connectors and cables - what you need to know

Circular connectors are cylindrical interconnect devices designed to transmit electrical power, analog or digital signals, and data across multiple

[Contact Us](#)



Standard Circular Fiber Optic Connector Plug Cable Assembly

What is D38999/20FJ4PN circular connectors ?
The D38999/20FJ4PN is a specific model of a Avation-standard circular connector, typically a wall-mount receptacle manufactured by companies like

[Contact Us](#)



Circular Connectors

With a space-efficient, robust design, these connectors have various optical data interfaces and signal/power pin combinations that support advanced functionality

[Contact Us](#)

Fiber Optic Connectors , Circular Connectors

Amphenol Fiber Systems International manufactures a complete line of circular fiber optic connectors including M28876 connector. The MFM Fiber Optic Connector is

[Contact Us](#)



Optical fiber connector

Most optical fiber connectors are spring-loaded, so the fiber faces are

[Contact Us](#)

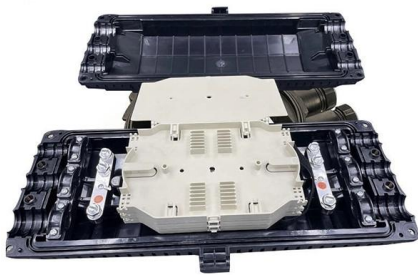




Circular Connector: An Introduction to Cables

Circular connectors are favored for their dependability in challenging conditions and their space-saving design, which allows for the quick connection and

[Contact Us](#)



Circular Connector: Browse Products , TE Connectivity

A circular connector is designed to withstand harsh environments and reliably deliver data. It is designed with a circular interface and housing to quickly and easily

[Contact Us](#)

Connectors, Cable Assemblies & RF Solutions

Winchester Interconnect is a global leader in connectors, RF & microwave, hermetic, fiber optic & cable assemblies. Trusted interconnect solutions for aerospace,

[Contact Us](#)



8-Port PLC Fiber Splitter Box

12-Port SC Fiber Splitter Box

Size: 235*215*75mm
Material: ABS, IP65,



How is Fiber Internet Installed? Everything You Need to

Explore how fiber optic internet is installed in your home, with step-by-step details on cables, ONTs, routers, and what to expect during the appointment.

[Contact Us](#)

Polarization-maintaining optical fiber



Applications Polarization-maintaining optical fibers are used in special applications, such as in fiber optic sensing, interferometry and quantum key distribution. They

[Contact Us](#)



Contact Us

For datasheets, pricing, or custom fiber access solutions, please visit:
<https://frindel.es>