

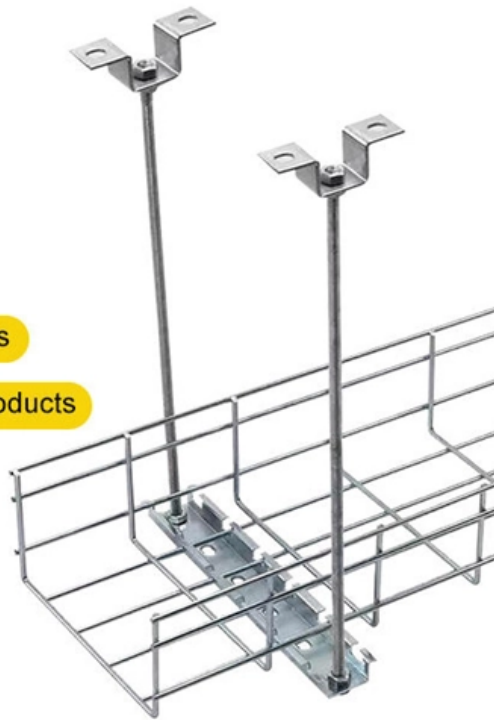
What are the techniques for opening indoor optical cables

STAINLESS STEEL WIRE MESH

Long-lasting and durable

Comprehensive specifications

Customized non-standard products





What are the techniques for opening indoor optical cables



Optical Fiber Cables for Indoor/Outdoor Applications

AEN097, Revision 4 Optical fiber cables are designed to provide optimum performance over their service life when deployed in applications for which they are intended. When selecting an

[Contact Us](#)

How does fiber optics work?

An easy-to-understand introduction to fiber optics (fibre optics), the different kinds of fiber optic cables, and how light travels down them.

[Contact Us](#)



Precautions for indoor optical cables

Indoor optical cables are essential components of modern data communication systems, and proper handling, installation, and maintenance are critical to ensure their optimal performance and safety.

[Contact Us](#)



Indoor Installation of Corning Optical Communications Fiber Optic Cable

Maintain the fiber optic cable's minimum bend radius around corners through the use of flexible conduit or other supports (B). Split cable guides and split 40-in sheave wheels are available to facilitate entry



Optical fiber cable and wiring techniques for fiber to the home (FTTH)

The lifecycle of an optical access network consists of service demand work, cable removal work, and fault isolation and repair work. The service demand work involves installing an optical drop

[Contact Us](#)



Fiber Optic Cable Installation and Handling Instructions

The information contained in this manual should serve as a guide to proper handling, installing, testing, and for troubleshooting problems with fiber optic cables.

[Contact Us](#)



directory-list-2.4.txt/directory-list-2.4.txt at main

Customer stories Events & webinars Ebooks & reports Business insights GitHub Skills

[Contact Us](#)





Handbook Optical fibres, cables and systems

There are two classes of device to provide this protection: those situated at the primary or intermediate winch and those at the cable/rope interface.

[Contact Us](#)



Fiber Optic Cable Installation and Handling Instructions

Fiber Optic Cable Pulling Techniques Installation methods for both wire cables and optical fiber cables are similar. Just remember these rules: Never pull on the connector. The connector/cable interface is

[Contact Us](#)

Indoor Termination: Techniques, Tools, and Benefits for Reliable

Equipment and Tools Required for Indoor Termination Effective indoor termination requires an array of equipment including wire strippers, crimping tools, termination kits, splice trays, and

[Contact Us](#)



Essential Installation Techniques for Optical Fiber Cables

Discover the essential installation techniques for optical fiber cables, including trenching, direct burial, aerial, and indoor methods. Learn about

[Contact Us](#)



Be Your Own Technician: DIY Fiber Optic Installation Guide

In the spirit of self-reliance and technical mastery, we've crafted this detailed guide to empower you to take control of your own network by installing fiber optic cables yourself.

[Contact Us](#)



Integrated wiring four types of optical cable indoor wiring

When the optical cable needs to be directly connected to the terminal equipment across the protective box, a structure composed of single-core cable

[Contact Us](#)



Handbook Optical fibres, cables and systems

1 Cable installation methods Optical fibre must be protected from excessive strains, produced axially or in bending, during installation and various methods are available to do this. The aim of all optical fibre

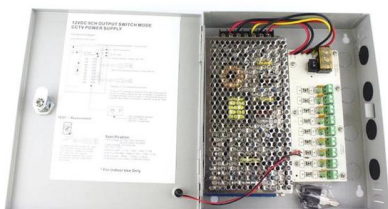
[Contact Us](#)



101 Guidelines for Fiber Optic Cable Installation

Indoor cables can be installed directly, but you might consider putting them inside innerduct. Innerduct provides a good way to identify fiber optic cable and protect

[Contact Us](#)

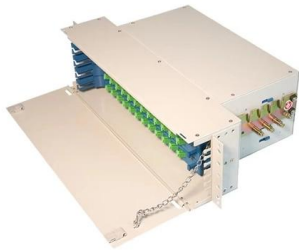




OPTICAL FIBRE CABLES INSTALLATION GUIDE

Cable laying refers to deploying the optical fibre cable between the ends to be connected. There are several laying methods depending on the area where the cable laying needs to take place.

[Contact Us](#)



25 Indoor_Cable_Application_Note

General Indoor Cable Description Indoor Optical Cable is intended primarily for use within an environmentally controlled structure (e.g., home, commercial, or controlled environment vault) to

[Contact Us](#)

Underground Installation of Optic Fiber Cable Placing

Placing cables underground has the added benefits of reducing transmission losses, aiding planning consent and reduced risk of service supply loss through extreme weather. This practice covers the

[Contact Us](#)



Indoor and Outdoor Fiber Optic Cable Installation: Key

This guide explores different types of fiber optic cable, including indoor fiber optic cable and outdoor fiber optic cable, and outlines best practices

[Contact Us](#)



Optical Fiber Cable Installation Guideline

The following contains information on the placement of fiber optic cables in various indoor and outdoor environments. In general, fiber optic cable can be installed with many of the same techniques used

[Contact Us](#)



Fibre to the Home Indoor Optical Fibre Cables

Finally the optical fibre has to be deployed in buildings / premises to get closer to the end user. This requires cable designs which differ considerably from those used for outdoor applications. For

[Contact Us](#)

Cable Preparation Best Practices for Fiber Optic Indoor/Outdoor

This best practices document is a step-by-step guide for end and midspan access of loose tube optical cable, including sheath removal, core preparation, and fiber preparation.

[Contact Us](#)



OPTICAL FIBRE CABLES INSTALLATION GUIDE

The objective of this document is to be an optical fibre cable installation and laying guide, addressed to new installers, also being useful as a reminder to experienced installers. We should always consider

[Contact Us](#)



Handbook Optical fibres, cables and systems

The simultaneous availability of compact sources and of low-loss optical fibres led to a worldwide effort for developing optical fibre communication systems. The real research phase of fibre-optic

[Contact Us](#)



The Ultimate Guide to Indoor Fiber Optic Cables:

Conclusion: Embracing the Future with Indoor Fiber Optic Solutions Indoor fiber optic cables represent the backbone of modern connectivity, driving performance

[Contact Us](#)

DIY Guide: How To Properly Install Indoor Optical Cables

Learn the step-by-step process to properly install indoor optical cables with this comprehensive DIY guide. Discover essential tools, safety tips, best practices for routing and



[Contact Us](#)

Contact Us

For datasheets, pricing, or custom fiber access solutions, please visit:
<https://frindel.es>