

# **What are the requirements for the grounding wire specifications of a distribution box**





## Overview

---

26 mm<sup>2</sup> (10 AWG) ground wire must be used, and in all other markets a 6 mm<sup>2</sup> must be used. The National Electrical Code (NEC) provides clear guidelines for ground wire sizing through Table 250.122, but understanding how to apply these requirements correctly can make the difference between a safe installation and a costly code violation. Today, we're diving deep into the world of distribution box grounding, breaking down the standards. Choose the right box based on environment (indoor/outdoor), load capacity, and durability. Ensure safe placement: install in dry, accessible areas with good ventilation and at appropriate height (typically ~1.8m).



## What are the requirements for the grounding wire specifications of

---

### Grounding and UL 508A Standards

Additional rules for the grounding and bonding of industrial control panels include the sizing of ground conductors and the conditions that dictate

[Contact Us](#)



### The Basics of Grounding and Bonding

These tables help you properly size wiring for the grounding and bonding of your electrical system. Becoming familiar with the proper use of these tables can help

[Contact Us](#)



### Correct Connection Method Of Grounding Wire Of

Generally, copper core wire is selected as the ground wire and connected to the PE wiring bar. When connecting, it is necessary to strip the wire

[Contact Us](#)



### Distribution System Grounding , part of Electric Power and Energy

Summary

Good system grounding provides the path for normal load and fault currents while maintaining



load and controls temporary overvoltages. Good equipment grounding ensures

[Contact Us](#)



### Army MOS List (Military Occupational Specialty) , USArmy Basic

The Army MOS List, also known as a Military Occupational Specialty (MOS), are jobs in the US Army which you can perform when defending our country.

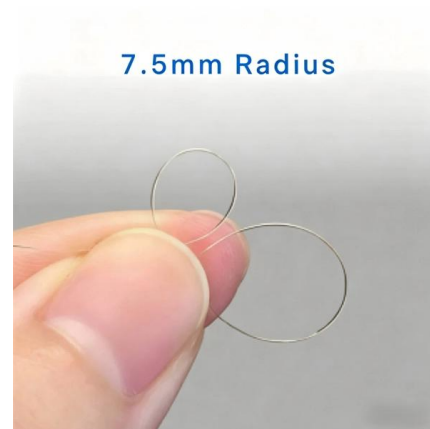
[Contact Us](#)



### Grounding System Installation Standards for Distribution Boxes and

Today, we're diving deep into the world of distribution box grounding, breaking down the standards, and shining a light on those sneaky mistakes that even experienced electricians sometimes make.

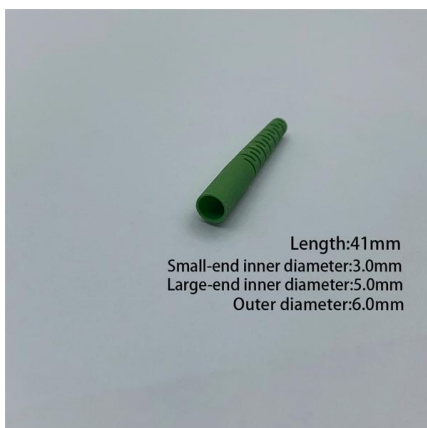
[Contact Us](#)



### Correct Connection Method Of Grounding Wire Of

This wire not only has good conductivity, but its yellow-green double-color outer skin also plays an obvious warning role. If a grounding device needs

[Contact Us](#)





## Grounding Requirements for Electrical Cables, Cable Trays, and

Guidelines for grounding electrical cables, busbars, and cable trays in wiring projects, ensuring safety and compliance with industry standards.

[Contact Us](#)



## Explaining NEC Article 250 on Grounding and Bonding

NEC (National Electrical Code) Article 250 covers grounding and bonding for electrical installations to protect from electrical shock and ensure correct operation of the electrical system.

[Contact Us](#)

## The installation requirements for the distribution box

Learn how to install a distribution box safely and correctly. Covers wiring, placement, standards, and expert tips for a compliant setup.

[Contact Us](#)



## Distribution System Grounding

Neutral grounding, the system frequency and soil resistivity impact modeling of the distribution system components. National Electric Safety Code (NESC) is designed for primary part

[Contact Us](#)

## Grounding specifications



For 200 V AC through 240 V AC installations worldwide, the equipment-grounding conductor must match local electrical codes and must be green with or without one or more yellow stripes on the

[Contact Us](#)



### **Nine Recommended Practices for Grounding**

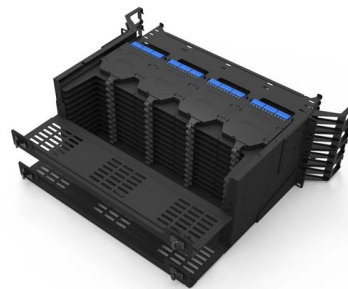
Bond all metal enclosures, raceways, boxes, and equipment grounding conductors into one electrically continuous system. Consider the installation of an

[Contact Us](#)

### **NEC Requirements for Grounding of Services , EC& M**

Correct grounding of services depends upon understanding the definition and role of the grounded conductor.

[Contact Us](#)



### **DISTRIBUTION BOX**

Each DISTRIBUTION BOX and controller must be grounded. On the US market, a 5.26 mm<sup>2</sup> (10 AWG) ground wire must be used, and in all other markets a 6 mm<sup>2</sup> must be used.

[Contact Us](#)





## Microsoft Word

SCOPE This Project Standard and Specification covers requirements governing the grounding, over voltage protection, and lightning protection facilities for electrical power system and equipment,

[Contact Us](#)



## 200W Solar Panel Complete Guide 2025: Performance

Complete 200W solar panel guide covering real performance, installation, best brands, and system requirements. Expert tested with actual data

[Contact Us](#)

## Transmission Line Grounding Guide

Effective grounding is comprised primarily of overhead ground wires, ground conductors, and ground electrodes. The primary focus of this guide is on ground conductors and ground electrodes whose

[Contact Us](#)



## Ground Wire Size Chart NEC 2026: Complete

This comprehensive guide will walk you through everything you need to know about grounding conductor sizing, from basic NEC requirements to practical

[Contact Us](#)



## Grounding Standards and Requirements in Electrical

In this article, we will outline the key grounding standards and requirements, including grounding resistance specifications, installation guidelines, material

[Contact Us](#)



### Design requirements and standards for low voltage

You must make safety your top priority when working with low voltage distribution boxes. Design requirements help you follow important standards like

[Contact Us](#)

### Understanding Grounding of Electrical Systems , NFPA

The earth itself is not considered an effective ground-fault current path, so sticking the wire in the ground is not enough. Grounding is the very

[Contact Us](#)



### NEC Requirements for Grounding of Services , EC& M

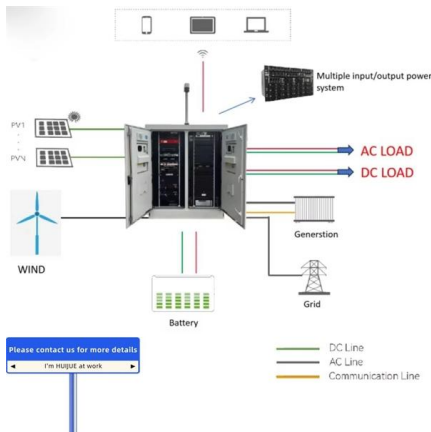
Grounding electrode conductors must be connected at accessible points from the load end of service conductors, with specific rules for outdoor transformers and

[Contact Us](#)



ANSI Webstore DOWNLOAD PDF INSTANTLY, OPTION TO ORDER HARD COPY YOU NEED One or just a few licenses for each standard, one time download

[Contact Us](#)



### Grounding

1 Design Requirements Extend ground conductors from the ground system to all switchgear, transformers, unit substations, motor controllers, panelboards, control panel ground buses, and

[Contact Us](#)

### Protective grounding requirements for transmission and distribution

Introduction to protective grounding This technical article covers protective grounding requirements for steel tower and wood

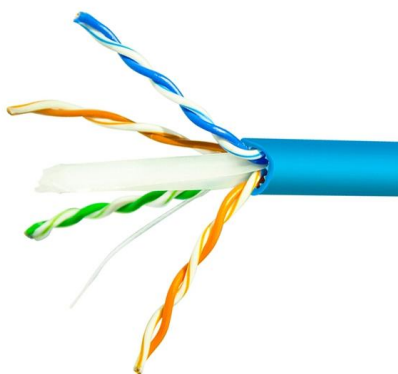
[Contact Us](#)



### 26 05 26 GROUNDING AND BONDING FOR ELECTRICAL SYSTEMS

Bond all communications conduit systems to ground. 3.3 In addition to using the conduit system for grounding, a complete auxiliary green wire equipment grounding system shall be

[Contact Us](#)





## Contact Us

---

For datasheets, pricing, or custom fiber access solutions, please visit:  
<https://frindel.es>