

What are the materials used for pigtail connections





Overview

They are typically made of copper wire stranded for flexibility and insulated with PVC or cross-linked polyethylene. What Is a Pigtail Connector?

A pigtail connector is a small wire that makes a big difference. A pigtail is a coiled or looped section of tubing used in piping and instrumentation systems to absorb vibration, manage thermal expansion, and protect pressure instruments from direct exposure to process media.



What are the materials used for pigtail connections



The Complete Guide to Pigtail Fibers: Simplifying

Conclusion Pigtail fibers are the quiet enablers of modern connectivity, bridging devices to networks with precision and reliability. From 5G

[Contact Us](#)

Complete Pigtail Bolt Guide: Essential Knowledge for

This distinctive design makes it a critical component in power line pole and tower construction, providing reliable connection solutions in space-restricted

[Contact Us](#)



The Ultimate Guide to Pigtail Cable Assemblies and

Explore the ultimate guide to pigtail cable assemblies and connectors, covering types, applications, pricing, and available options for optimal

[Contact Us](#)



What Is a Pigtail in Electrical Wiring? A Complete Guide

Key tools for creating a pigtail connection include wire strippers, pliers, wire nuts, and appropriately gauged and matched wiring. Pigtails are commonly



wiring pigtails

Properly executed pigtail electrical work meets safety codes while accommodating evolving power needs. Tools and Materials for Wiring Pigtails Proper tool selection separates professional-grade

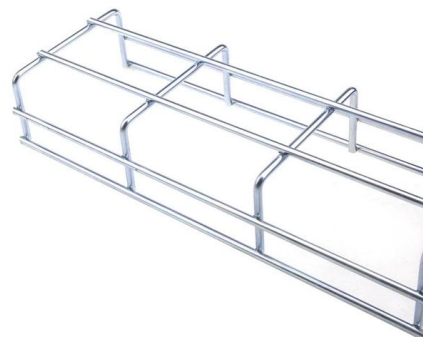
[Contact Us](#)



Understanding Pigtail Wire Harnesses: Key

Additional Products Used with Pigtail Wire Connectors Electrical Tape: Insulates wire joints post-connection. Heat Shrink Tubing: Provides

[Contact Us](#)



How to choose fiber optic pigtails?

What Are Fiber Optic Pigtails? A fiber pigtail is a single, short, usually tight-buffered fiber optic cable with a factory-installed connector on one end, and un-terminated

[Contact Us](#)



What Is a Pigtail Wire and When Do You Need One?

What Exactly is a Pigtail Wire A pigtail wire is a short segment of wire, typically measuring at least six inches in length to allow for proper manipulation and splicing within the enclosure. The wire gauge

[Contact Us](#)



What Is a Pigtail Connector: Types, Uses & Guide

At its simplest, a pigtail connector is a connectorized stub cable: one end comes pre-terminated with a specific connector (RF, fiber, or electrical), and

[Contact Us](#)

What Is a Pigtail Connector

Some pigtails might terminate in genderless connectors which use mechanisms like twist-on marrette-style caps that join two wire ends regardless of gender. When

[Contact Us](#)



What is a Pigtail Connector? A Complete Guide

A: Pigtail connectors typically use color-coding, such as black for live wires, white for neutral wires, and green for ground wires, which helps distinguish

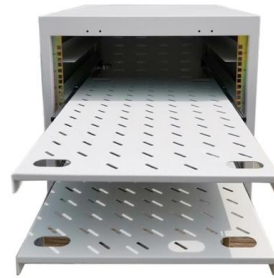
[Contact Us](#)



What Is a Pigtail Connector: Types, Uses, and Selection

Pigtail connectors consist of copper, aluminum, and various insulating materials. However, the choice of materials depends on the connector's application and

[Contact Us](#)



pigtail connector

Discover the ultimate guide to pigtail connectors: types, applications, and best practices for electronics manufacturing. Learn more about pigtail connector solutions.

[Contact Us](#)



Untangling the Mystery: What are Pigtail Connectors

In this article, you will learn useful information about pigtail connectors, including the different types of them, the way they work and their usages.

[Contact Us](#)



What Is a Pigtail Connector? Types and Applications , CZT

Learn what a pigtail connector is, explore electrical and fiber optic pigtail types, pigtailing outlets, pigtail splicing techniques, and how to choose the right one for your project.

[Contact Us](#)





What Is a Pigtail Connector? Types, Benefits, and

Learn what a pigtail connector is, how it works, and the best types for electrical and fiber optic systems. Clear definitions, benefits, uses, and installation

[Contact Us](#)



Fiber Optic Pigtails: Uses & Differences from Patch Cords

Understand fiber optic pigtails -- definition, types, and how they differ from patch cords. Learn why pigtails ensure reliable, low-loss fiber terminations.

[Contact Us](#)

What is a Fiber Optic Pigtail, and What Is It Used For?

Learn what fiber optic pigtails are, their crucial role in network connections, and how to choose the right one for your needs.

[Contact Us](#)



What is a Pigtail Connector and Why It Matters for

A pigtail connector is a short wire with a plug and open ends, crucial for secure and reliable electrical connections in vehicle cable systems.

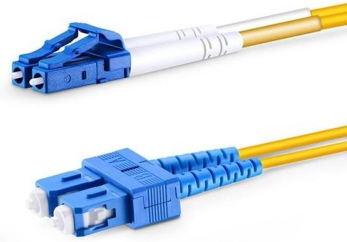
[Contact Us](#)



What are Pigtails , Piping Glossary

The design of a pigtail typically features a helical or U-shaped coil made from materials such as stainless steel, carbon steel, or copper. Its geometry depends

[Contact Us](#)



What is a Pigtail Screw?

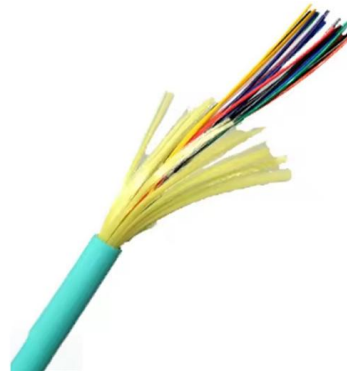
What is a Pigtail Screw? Pigtail Screw is a screw that usually has a unique spiral or curved design, similar to the shape of a pig's tail (hence the name "Pigtail"). This

[Contact Us](#)

wiring pigtails

Test the bond by gently pulling. Properly secured connections won't separate. For temporary fixes or tight spaces, use UL-listed electrical tape. Wrap tightly with 50% overlap, covering all exposed metal.

[Contact Us](#)



What Is a Pigtail Connector? Types, Benefits, and

They are typically made of copper wire stranded for flexibility and insulated with PVC or cross-linked polyethylene. Common examples include

[Contact Us](#)



pigtail connector

Discover the ultimate guide to pigtail connectors: types, applications, and best practices for electronics manufacturing. Learn more about pigtail connector solutions.

[Contact Us](#)



The Complete Guide to Pigtail Fibers: Simplifying

Pigtails vs. Patch Cables: When to Choose Pigtails: Use when one end requires termination (e.g., splicing to a cable trunk). Patch Cables: Ideal for

[Contact Us](#)

Contact Us

For datasheets, pricing, or custom fiber access solutions, please visit:
<https://frindel.es>