

Various high and low voltage complete sets of equipment





Overview

This solution covers a complete set of power equipment from low-voltage distribution cabinets, high-voltage switchgear to transformers, automation control systems, etc. , aiming to provide comprehensive and customized power solutions for various users. Our high and low voltage complete electrical equipment solutions are designed based on a deep understanding of the current development trends in the power industry and accurate predictions of future power demand. In distribution systems, they can be used in ring network distribution systems as well as in dual power supply or radial terminal distribution systems.



Various high and low voltage complete sets of equipment



Analysis of complete sets of high and low voltage electrical equipment

As an important type of electrical device, complete sets of electrical equipment belong to the category of electrical equipment, similar to switches, contactors, circuit breakers, and

[Contact Us](#)

All Products

The Prefabricated Cabin is an advanced, integrated high and low voltage complete sets of equipment designed for rapid deployment in renewable energy, grid connection, and industrial power projects.

[Contact Us](#)

50KW modular power converter



Basics in low voltage distribution equipment

Low voltage distribution equipment typically operates at less than 600 volts; in contrast, medium voltage equipment affords a wider range of 600 to 38,000 volts. This paper provides a basic overview of the

[Contact Us](#)

Ten equipment you MUST recognize in every

The following equipment are installed in distribution substations: distribution transformer, circuit breaker, lightning arrester, isolator

[Contact Us](#)



High and Low Voltage Complete Sets: Reliable Solutions for Power

Explore Chenuo Electric's range of high and low voltage complete sets, designed to ensure the reliable operation of power systems. Our solutions cater to a wide range of applications, offering stability and

[Contact Us](#)

High Voltage and Low Voltage Systems: Advanced Power Distribution

Low voltage systems implement ground fault protection, overcurrent prevention, and surge suppression technologies to protect both equipment and users. The systems employ intelligent coordination

[Contact Us](#)



Extract from LV 10 · 10/2018

Planning tool for visualizing and evaluating characteristic curves of low-voltage protection equipment and fuses (IEC), including the possibility of simulating instrument settings: Visualization of tripping

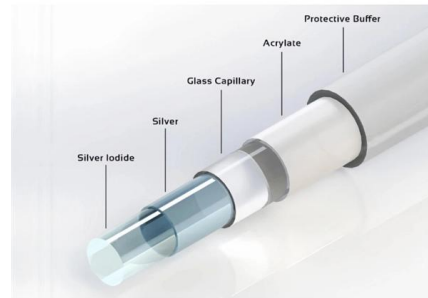
[Contact Us](#)



High and Low Voltage Complete Sets of Equipment

When discussing high and low voltage complete sets of equipment, it's vital to consider the components involved. These typically include transformers, switchgear, and protective devices.

[Contact Us](#)



What is high voltage and low voltage complete set

Want to fully understand what high and low voltage complete sets of equipment are and want to explore the differences between the two? This article will interpret them from multiple aspects

[Contact Us](#)

High and Low Voltage Switchgear Series Electrical Complete Sets of

The high and low voltage switchgear produced by Jiangsu Xinhong Electrical Equipment Co., Ltd. is a type of power equipment that plays a role in power systems such as switching, control, or protection.

[Contact Us](#)



High and low voltage complete sets of equipment

Service Hotline 400-158-6858 E-mail: info@rd-power About Rendong Introduction Culture Organization History Honor Community Products Power Transformer High and low voltage complete

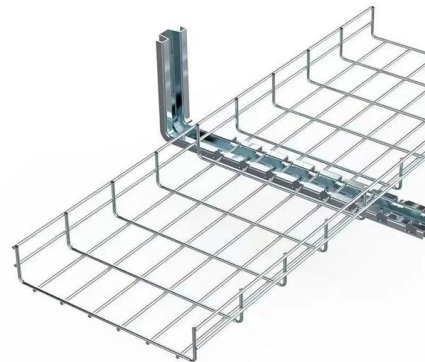
[Contact Us](#)



High Voltage Power Supply: Principles and Applications

A high voltage power supply converts low voltage into high voltage, typically 1kV to 360kV or more, to power applications in scientific

[Contact Us](#)



High and low voltage complete sets of equipment

High and low voltage complete sets of equipment You are here: Home> Products> List

[Contact Us](#)

Exploring the Essential High Voltage Equipment List for

High voltage equipment is critical for ensuring safe and efficient electrical operations. This article explores an essential list of high voltage tools

[Contact Us](#)



High

This equipment is suitable for AC systems with a frequency of 50 (60) Hz, a rated operating voltage of 690V or less, and a rated current of 4000A or lower. It is used as distribution equipment for power

[Contact Us](#)



High Voltage Test Equipment

HV TECHNOLOGIES provides a complete and broad range of High Voltage Test Equipment and Service Solutions for the Utility and Electrical Power Industries.

[Contact Us](#)



Low and high voltage equipment

High Voltage Equipment High-voltage equipment is a category of electrical devices. The main purpose of high-voltage equipment is to perform a number of electrical

[Contact Us](#)

What Is Electrical Switchgear? Types & How It Works

Low-voltage switchgear is a common type of electrical switchgear used in various industries to regulate systems up to 1kV. It is commonly found in

[Contact Us](#)



Wholesale China High And Low Voltage Complete Set Factories

As a trusted supplier, we provide high and low voltage complete sets at Zhejiang Teyi Electric Co., Ltd. Explore our wholesale options and connect with top manufacturers today!

[Contact Us](#)



High and Low Voltage Switchgear Series Electrical Complete Sets of

The high and low voltage switchgear produced by Jiangsu Xinhong Electrical Equipment Co., Ltd. is a type of power equipment that plays a role in power systems such as switching, control, or protection.

[Contact Us](#)



Low Voltage Electrical Installations: A Practical Guide

Learn what low voltage electrical installations are, how to assemble and maintain them, and their role in industrial automation.

[Contact Us](#)

Switchgear: Your Complete Guide to Low and Medium Voltage Equipment

With Technopower's advanced solutions, you can access high-quality low voltage (LV) equipment and medium voltage switchgear built to meet the strictest standards of performance and

[Contact Us](#)



HV/LV Complete Electrical Equipment

This solution covers a complete set of power equipment from low-voltage distribution cabinets, high-voltage switchgear to transformers, automation control systems, etc., aiming to provide

[Contact Us](#)



GGD Low Voltage Fixed Complete-set Switchgear

The GGD Low Voltage Fixed Complete-set Switchgear Equipment (Abbreviation as Switchgear) is for the purpose of power distribution

[Contact Us](#)



Power transformer_ High and low voltage complete

The company specializes in the production of transformer, box transformer, wind power substation, solar photovoltaic substation, high and low voltage complete

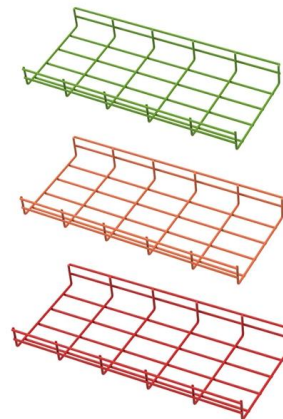
[Contact Us](#)



High Voltage vs Low Voltage: Complete Comparison

Explore the differences between high and low voltage systems, including applications, safety, efficiency, and costs, to make informed energy

[Contact Us](#)



Technical Management and Risk Prevention and Control of High and Low

This paper comprehensively explores the technical management and risk prevention of high and low voltage complete sets of equipment in power engineering. It elaborates on technical

[Contact Us](#)





High And Low Voltage Power Equipment Manufacturers, Factory

Enecell, a reliable manufacturer of high and low voltage power equipment, offers prefabricated substations, switchgear, and more for diverse applications. Factory Direct & Fast Shipping.

[Contact Us](#)



Wide development of High and low voltage complete

High and low voltage complete sets of equipment is the electrical products suited for generating equipment, distribution equipment and electric

[Contact Us](#)

Contact Us

For datasheets, pricing, or custom fiber access solutions, please visit:
<https://frindel.es>