

Type of cable tray for overhead wiring





Type of cable tray for overhead wiring



Overhead Cable Support Systems: A Comprehensive Guide

Overhead cable support systems are critical components in various infrastructure projects, ensuring the secure and organized routing of electrical, communication, and other types of cables. These systems

[Contact Us](#)

Types of Cable Trays - Purpose, Advantages,

Cable tray is alternatives to wire ways and electrical conduits, which completely enclose cables. Study types of cable trays, purpose, advantages.

[Contact Us](#)



Types of Cable Trays: Ladder, Perforated, Basket, Solid

Explore all types of cable trays--ladder, perforated, basket, solid, and channel. Learn their uses, materials, pros, cons, and key differences.

[Contact Us](#)



Types of Cable Trays - Advantages, Applications and Sizes

Explore the types of cable trays, their advantages, applications, and standard sizes. Learn how they improve cable management and support various industries.



Cable Tray Systems: A Complete Guide to Types

Discover the essential guide to cable tray systems. Learn about ladder, trough, and wire mesh types, key components, and expert installation tips

[Contact Us](#)



What Is A Cable Tray? 5 Types Of Cable Trays

This article will explore the different types of cable trays, the materials used, and their benefits in a wide range of applications. Understanding these elements is key to optimizing both the performance and

[Contact Us](#)



Cable Pathways: A Data Center Design Guide and Best

An underfloor cable tray is a product used primarily in data centers. The concept is the same as the overhead support apparatus. However, when using

[Contact Us](#)

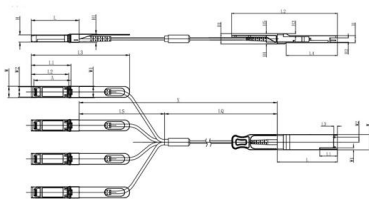




Types of Cable Trays & Installation Guide

Cable trays are crucial in cable management, providing organized electrical and communication wiring pathways. They are available in various materials and configurations to suit industrial, commercial,

[Contact Us](#)



Unit mm

| CSFP28 | L | L1 | L2 | L3 | L4 | W | W1 | W2 | H | H1 | H2 | H3 | H4 | H5 | H6 |
|--------|------|------|------|------|-------|-------|-----|-----|------|------|------|-----|-----|------|----|
| Max | 72.2 | - | 3.28 | 4.25 | 61.4 | 18.45 | - | 6.2 | 8.6 | 12.4 | 5.35 | 2.5 | 1.6 | 2.0 | - |
| Type | 72.0 | - | 4.20 | 61.2 | 18.35 | - | - | 8.5 | 12.2 | 5.2 | 2.3 | 1.5 | 1.8 | 6.55 | - |
| Min | 68.8 | 16.5 | 12.4 | 4.05 | 61.0 | 18.25 | 2.2 | 5.8 | 8.4 | 12.0 | 5.05 | 2.1 | 1.3 | 1.6 | - |

| SFP28 | L | L1 | L2 | L3 | W | W1 | W2 | H | H1 | A |
|-------|------|------|-------|-------|-------|------|------|-----|------|-------|
| Max | 57.6 | 47.7 | 44.55 | 119.9 | 13.8 | 14.0 | 12.3 | 8.7 | 10.3 | 45.25 |
| Type | 57.4 | 47.5 | 44.35 | 117.9 | 13.55 | 13.8 | 12.1 | 8.5 | 10.1 | 45 |
| Min | 57.2 | 47.3 | 44.15 | 115.9 | 13.3 | 13.6 | 11.9 | 8.4 | 9.9 | 44.65 |

Verified Supplier Cable Tray 400mm Hot-Dipped Galvanized Material

Types of cable tray 400mm A cable tray 400mm wide comes in various types. They include the aftermentioned: Steel wire cable tray This type has great strength and supporting capacity.

[Contact Us](#)

Ultimate Guide to Cable Tray Selection - Types,

Learn how to choose the best cable tray system for your needs. Explore types, materials, installation tips, and NEC compliance in this expert guide.

[Contact Us](#)



7 Types of Cable Trays: How to Choose the Right One

Selecting the correct cable tray type is not arbitrary--it depends on a combination of cable characteristics, environmental conditions, and installation

[Contact Us](#)





Cable tray vs cable basket vs cable ladder vs cable

This article will discuss the four most common types of cable containment and their uses: cable tray, cable basket, cable ladder, and cable

[Contact Us](#)



Cablofil Cable Management , Legrand

Build a cable management system with Cablofil wire mesh cable tray, ladder cable tray, prefab assemblies for branch circuit wiring, fasteners, and accessories.

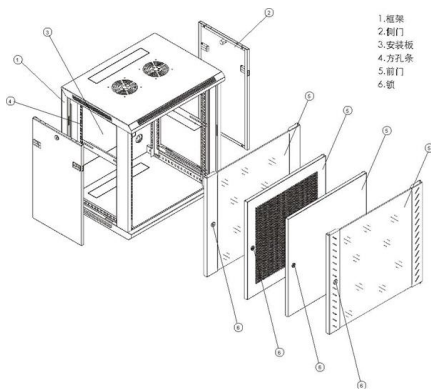
[Contact Us](#)



Overhead Cable Management: Cable Runway vs. Cable

Overhead Cable Management Products from Enconnex Enconnex has partnered with Liberty to deliver best-in-class cable runway and wire mesh

[Contact Us](#)



Cable Tray Systems: Requirements and Best Practices

Comprehensive guide to cable tray systems requirements: tray types, materials, loading, supports, bonding, routing, and best practices for safe electrical cable management.

[Contact Us](#)

Cable Tray Systems - CableOrganizer



Cable tray systems are the perfect solution for running large quantities of power or data cables overhead or under-floor. Also known as baskets, trunking, or cable

[Contact Us](#)



How to Install Cable Tray: A Comprehensive Guide to Different Cable

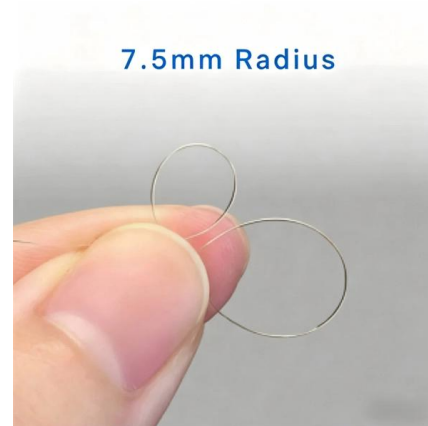
Welcome to our step-by-step guide on installing cable trays! In this video, we'll explore the different types of cable trays available and provide detailed instructions for their installation.

[Contact Us](#)

Cable tray

In the electrical wiring of buildings, a cable tray system is used to support insulated electrical cables used for power distribution, control, and communication.

[Contact Us](#)



Cable Tray Types and Sizes

Types of Cable Trays and Sizes Explore various cable tray types and sizes for electrical installations. Learn about ladder, perforated, solid-bottom, wire mesh,

[Contact Us](#)





Wire Basket Overhead Cable Tray Routing System Application Guide

The Wire Basket Overhead Cable Tray Routing System is composed of pathways, splices, mounting brackets, and accessories that allow the system to be configured for a wide range of applications and

[Contact Us](#)



Top 7 Types of Cable Trays and Their Applications

Discover the top 7 types of cable trays including Ladder, Perforated, and Wire Mesh. Learn their applications and benefits for efficient cable

[Contact Us](#)

Cable Tray SHIB NAL

Cable trays are not raceways, but they are treated as a structural component of a facility's electrical system. Cable trays are a part of a planned cable management system to support, route, protect and

[Contact Us](#)



Free download! Wire Basket Cable Tray System

The Panduit Wire Basket overhead cable tray routing system consists of pathway sections, splice connectors, sidewalls, waterfalls, mounting brackets, and

[Contact Us](#)



Wire Mesh Cable Tray

Types of Wire Mesh Cable Tray A wire mesh cable tray is an essential component in electrical infrastructure, providing structured support and organization for power, data, and communication

[Contact Us](#)



CABLE TRAY SYSTEMS GUIDE

Hubbell's NEXTFRAME® Ladder Tray is the effective and widely used cable runway that supports and delivers bundles of cable between cabinets, racks, and closets, along walls, and suspended from

[Contact Us](#)

Types of Cable Trays - Advantages, Applications and Sizes

In this article, we'll explore the most common types of cable trays, their advantages, and the cable tray sizes available to help you choose the right one for your project.

[Contact Us](#)



Contact Us

For datasheets, pricing, or custom fiber access solutions, please visit:
<https://frindel.es>