

Type 118 Two-Port Fiber Optic Panel





Type 118 Two-Port Fiber Optic Panel



Fiber Patch Panels , Eaton

Tripp Lite's full line of Fiber Panels, Copper Panels, and Spine Leaf Panels allows you to add high-density cassettes to your rack installation or complete singlemode or multimode fiber connections

[Contact Us](#)

FHU Fiber Patch Panel Datasheet , FS

Each port is individually numbered for fast and easy identification. Constructed from high-quality steel to provide maximum strength and durability. High performance connectors to achieve a low loss optical

[Contact Us](#)



Fiber Optic Terminal Junction Box 2 Ports Fiber Panel

2-port panel optical fiber box is equipped with an optical fiber adapter placement port and inlet and outlet holes for pigtails or sheathed optical cables to realize the

[Contact Us](#)

Corning Fiber Optic Enclosures,Outdoor Fiber Optic

American Data Supply is a supplier of fiber optic enclosures including Corning Fiber Optic Enclosures,Outdoor Fiber Optic Enclosures, Corning Fiber Optic Patch



2 Port Indoor Fiber Optic Wall Outlet Box, 2 Cores Splice

Size is 86*86*24mm, The 2 port sc/lc fiber wall outlet is a mini indoor termination box that provides flexibility of home/office installation.

[Contact Us](#)



MPO/MTP Patch Panel: The Ultimate Guide to High

Master high-density networks with our expert guide on MPO/MTP patch panels. We cover cassettes, MPO to LC, polarity, and 96-core solutions.

[Contact Us](#)



Fiber Optic Adapter Panels - Singlemode, Multimode

Establish a Faultless Fiber Connection. Having the correct connector type is the key to a thriving network. Make sure that you can handle any upgrade or new installation with a Fiber Adapter Plate

[Contact Us](#)

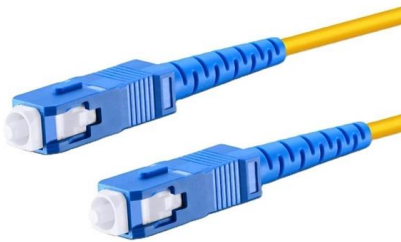




12 Port LC Fiber Patch Panel

Choice of 12 or 24 cores fibre patch panel for multimode and single mode fibre cable. You can order this 12 port LC fiber patch panel ODFKLC12 with LC duplex single

[Contact Us](#)



Fiber Optic Terminal Junction Box 2 Ports Fiber Panel

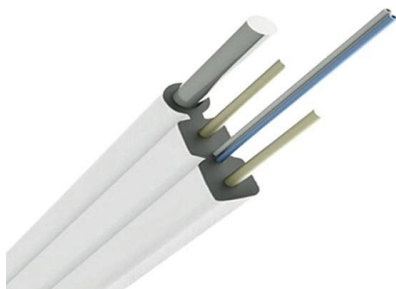
The optical fiber desktop box is equipped with dual optical fiber adapter placement holes and pigtail or flexible cord outlet holes, which can realize single-core or dual

[Contact Us](#)

Fiber Optic Hardware , Fiber Panels, Housings, Racks, and

Corning has a wide variety of hardware solutions to choose from to fit your cabling needs. Choose from racks, panels, modules, splice trays, ethernet fiber switches and other structured cabling components.

[Contact Us](#)



2U 48 Port Fiber Patch Panel With 8pcs 6 SC Adapter

Inside the enclosure, two 24-fiber splice trays and integrated routing spools ensure efficient fiber management and operation. The 48-port rack mount fiber patch

[Contact Us](#)



FPP296 Series 2U SC Duplex Fiber Optic Patch Panel

FPP296 series 2U SC duplex fiber patch panels come complete with SC duplex adapters and simple splice management kit to support optical splicing work.

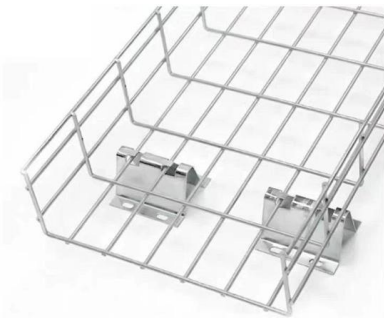
[Contact Us](#)



2 Port Wall Mount Fiber Termination Box For 1x2 Mini

This 2 port indoor fiber termination box supports up to 4 fiber core splices and 1x2 optical signal splitting, and can be easily wall-mounted, offering a reliable and

[Contact Us](#)



?? 120 Type Dual Network Fiber Optic LC Panel Socket 118 Type

Buy ?? 120 Type Dual Network Fiber Optic LC Panel Socket 118 Type Dual Cat6 Network Port Computer Cat6 online today!

[Contact Us](#)



Fiber Panels, Modules & Cassettes

Explore CommScope's efficient and scalable fiber splice panels designed for seamless connectivity. Accommodating LC, SC, and MTP/MPO connectors,

[Contact Us](#)





How to choose fiber optic patch panels?

Table of Contents What is a patch panel? What are fiber optic patch panels? How to install a fiber optic patch panel? The benefits of using a fiber patch panel Fiber

[Contact Us](#)



2 Port Fiber Patch Panels

Discover 2 port fiber patch panels with CE certification, ABS/aluminum housing, and wall/DIN-rail mounting. Ideal for FTTH, indoor/outdoor use.

[Contact Us](#)

Fiber Optic Patch Panel: A Comprehensive Overview for

These panels are designed to store fiber optic cables, facilitate cable splicing and termination, and protect cables, fibers, and connectors. Rack-mount fiber patch

[Contact Us](#)



Premium-Line 19" Fiber Optic Patch Panel

Premium-Line Fiber Optic Patch Panel - short overview Premium-Line Systems GmbH Watch on For purposes of illustration of FO panel 48 port LC Duplex

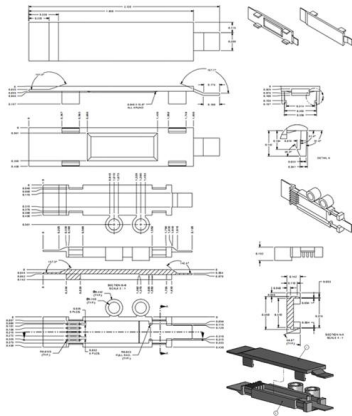
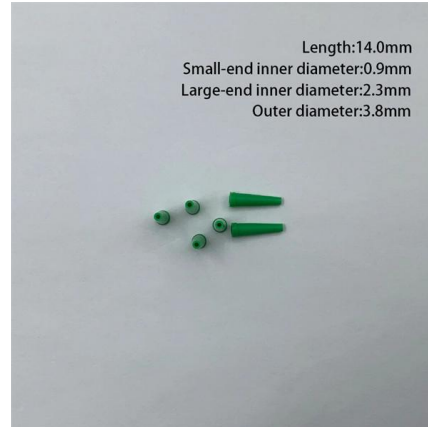
[Contact Us](#)



Din Rail Patch Panel Plastic Type with 12 Fiber Ports LC

DPPTTE12 Plastic DIN Rail Mount Fiber Optic Patch Panel with LC Duplex Adapters offers a compact design for efficient optical splicing and termination.

[Contact Us](#)



Fiber Patch Panels: A Beginner's Guide

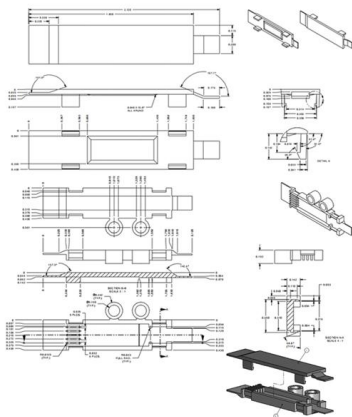
The Location of Installation The location of where the fiber optic patch panel is installed will help determine which type is needed. Fiber patch panel types are categorized by their installation

[Contact Us](#)

Fiber Optic Panels

Streamline high-density fiber optic connections in data centers with our MPO fiber adapter panel, offering efficient, high-volume terminations within high-density enclosures.

[Contact Us](#)



Fiber Optic Panels

Reserve space for future fiber optic needs with our blank fiber adapter panel. This panel snaps in for easy expansion and compliance with TIA/EIA-568-C.3 standards.

[Contact Us](#)



Poli-MOD Patch and Splice Module

The Poli-MOD® is a unique Patch and Splice Module that can accommodate up to 24 fiber optic interconnections in an industry-standard LGX 118 footprint.

[Contact Us](#)



LGX 118 Compatible Fiber Optic Connector/Adapter Panels

LGX 118 standard sized fiber adapter panels from Corning, AFL, Leviton. Single mode, multimode and 10G type LC, ST, SC, FC, MTRJ, MTP connector panels. In stock.

[Contact Us](#)

Optical Communications Products

Browse our optical communication connectivity products designed to help you enable your communication networks. Easily create a bill of materials list.

[Contact Us](#)



Fiber Optic Panels

FS offers FHD® FAPs and FHU(TM) 1U fiber patch panel with LC, SC, MTP®/MPO connectors in singlemode/multimode fiber to deploy medium for high-density fiber

[Contact Us](#)



Contact Us

For datasheets, pricing, or custom fiber access solutions, please visit:
<https://frindel.es>