

# **The outside of the optical distribution box is very dirty**





## The outside of the optical distribution box is very dirty

---



**unsupervised\_topic\_modeling/topics/en/17/100/100/topics at**

Contribute to `annontopicmodel/unsupervised_topic_modeling` development by creating an account on GitHub.

[Contact Us](#)

### Fiber Optic Cleaning: A Comprehensive Guide

Fiber optic technology has revolutionized data transmission, providing faster, more reliable communication. However, for fiber optics to function at their

[Contact Us](#)



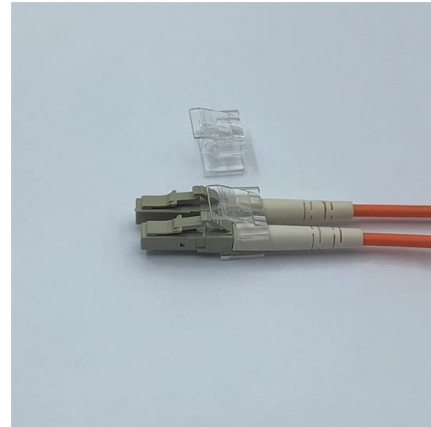
### Inspect before you connect - Fujikura Europe

What do we mean by 'dirty'? We mean contamination - something which is impeding the passage of light. Contamination is a common problem

[Contact Us](#)

### 10 Tips Help You to Know Everything About Fiber

The fiber Distribution box is a common product in FTTH and FTTB. It protects the connection point of the optical cable to access user end, makes the optical cable



### 101 Guidelines for Fiber Termination Box

Fiber termination box (FTB), also known as optical terminal box (OTB), generally refers to a distribution box specially designed for fiber cable

[Contact Us](#)



### Fiber Contamination, Cleaning, and Inspection: An

Eliminate the #1 cause of fiber optic link failure - contamination - with Fluke Networks' line of cleaning tools. These kits support all fiber connector types in

[Contact Us](#)



### How to Ensure Clean Fiber Optic Connectors

Dirty connectors cause the highest percentage of fiber optic network failures. Read why approved cleaning procedures are crucial for fiber optic connectors.

[Contact Us](#)

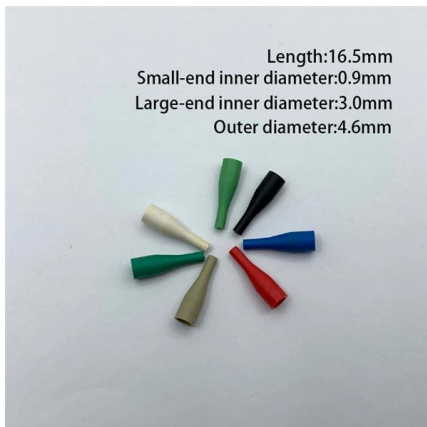




## How To Clean and How Not to Clean Fiber Optic

This post goes over the inspection and cleaning processes for fiber optic connections and also details what how not to clean your fiber optic connectors. Read more to

[Contact Us](#)



## An In-Depth Exploration of Fiber Optic Distribution

It begins with an introduction to fiber optic technology and the pivotal role of distribution boxes in managing fiber optic cables. The article categorizes the

[Contact Us](#)

## Wiley Online Library , Scientific research articles, journals, books

Hier sollte eine Beschreibung angezeigt werden, diese Seite lässt dies jedoch nicht zu.

[Contact Us](#)



## Inspect before you connect - Fujikura Europe

Contamination is a common problem when using fibre optic connectors. But it's not hard to beat contamination by using the right tool to

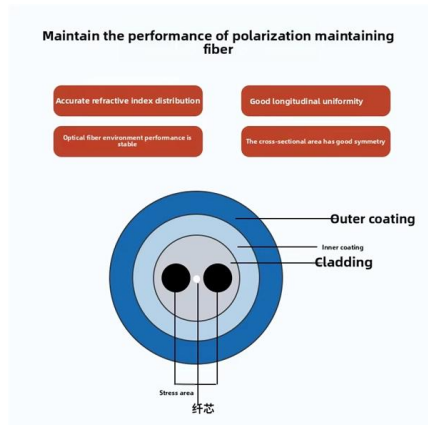
[Contact Us](#)



## 4 Signs You May Have a Fiber Optic Connector

The primary source of troubleshooting throughout optical networks is contamination; it is possible to occur through test equipment, dust caps,

[Contact Us](#)



## Inspection and Cleaning Procedures for Fiber-Optic

The procedures in this document describe basic inspection techniques and processes of cleaning for fiber optic cables, bulkheads, and

[Contact Us](#)

## The Technical Specifications for Fiber Distribution Boxes

The fiber distribution box, a crucial component in optical fiber networks, serves a dual purpose of managing and protecting optical fibers while facilitating

[Contact Us](#)



## Handling and Cleaning Procedures for Optical Components

Daily use of optics can cause them to be dirty due to dust, water and skin oils. These dirt increase scattering off the optical surface and absorb radiation which in turn will create hot spots on the

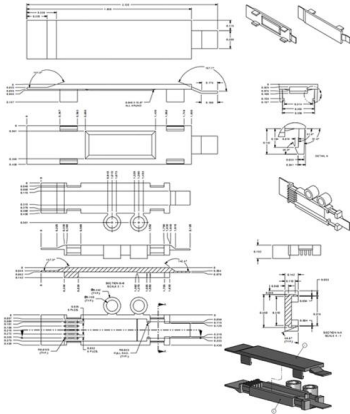
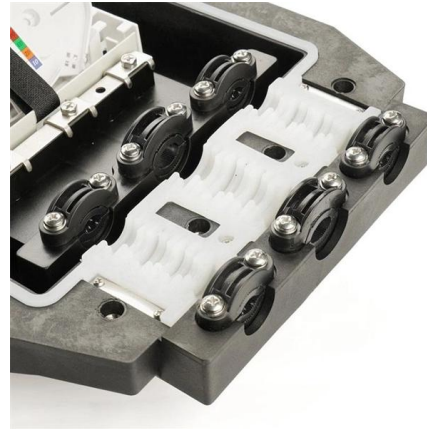
[Contact Us](#)



## Basics of Fiber Optic Distribution Box

Fiber optic distribution box (FDB) is an important component to provide connection, distribution and management of fiber cables.

[Contact Us](#)



## How To Clean and How Not to Clean Fiber Optic

When it comes to cleaning fiber optics, one must always inspect, clean and inspect fiber again. This post goes over the inspection and cleaning processes for fiber

[Contact Us](#)

## What is dirty power and how can it be fixed?

Dirty power can be disruptive and expensive to your operations. Learn more about what is dirty power, its symptoms, and how to fix it.

[Contact Us](#)



## Optical fiber distribution box structure

The optical fiber distribution box is to protect the connection point where the optical cable is connected to the user end, so that the optical cable

[Contact Us](#)



## Fiber's Dirty Secret , ICT Solutions & Education

Magnification specifications for video microscopes carry over from the historical prevalence of optical microscopes. Although magnification is directly related to

[Contact Us](#)



### Any way to DIY cleaning of dirty internal optics?

Greetings. I own an Epson powercinema720 that is 2 or 3 years old. over the last year it has developed spots in the picture that are caused by what I believe are dirty internal optics. The

[Contact Us](#)

### How to maintain and maintain the optical fiber distribution box

This section describes how to regularly maintain the devices in the optical fiber distribution box, including checking the grounding and locking of the devices to ensure device safety and stability.

[Contact Us](#)



### Septic System D-Box Clogs, Floods, Leaks, Odors

Septic drop box or D-box leaks & flooding: This article explains the causes & suggests cures for effluent leaks, odors, or smells at the septic distribution box. If the D-box is leaking, smells, or is tipped,

[Contact Us](#)

### Frequent problems of optical fiber terminal boxes



Frequent Problems of Optical Fiber Terminal Boxes Optical fiber terminal boxes are critical components in fiber optic networks, providing a centralized point for connecting and managing fiber optic cables.

[Contact Us](#)



### Ultimate Guide to Fiber Optic Distribution Box: Types

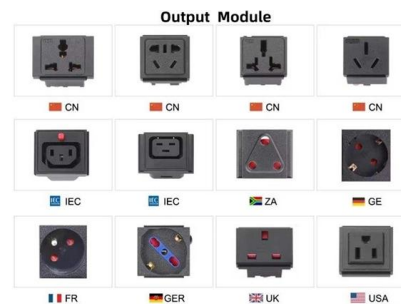
Fiber optic technology has revolutionized the telecommunications industry, enabling faster and more reliable data transmission. One essential

[Contact Us](#)

### How to Clean Fiber Optical Connector?

In the routine maintenance of the fiber optic connector, the fiber optic connector is contaminated with oil, powder and other contaminants. These contaminants may cause problems

[Contact Us](#)



#### Why Choose Us

- 20 Years of OEM/ODM 20 Year history manufacturing experience.
- Professional R & D team 10 years experience in OEM/ODM electronic engineer.
- Fully Certified Our are certified: CE, FCC, RoHS, ISO9001, ISO14001, ISO13120.
- Timely Delivery 27 production lines, 500+ employees, Timely delivery guaranteed.
- Quality Assurance Professional QC team with full process inspection.
- After-sales service After-Sales Service for Customer Satisfaction.

## Contact Us

For datasheets, pricing, or custom fiber access solutions, please visit: <https://frindel.es>