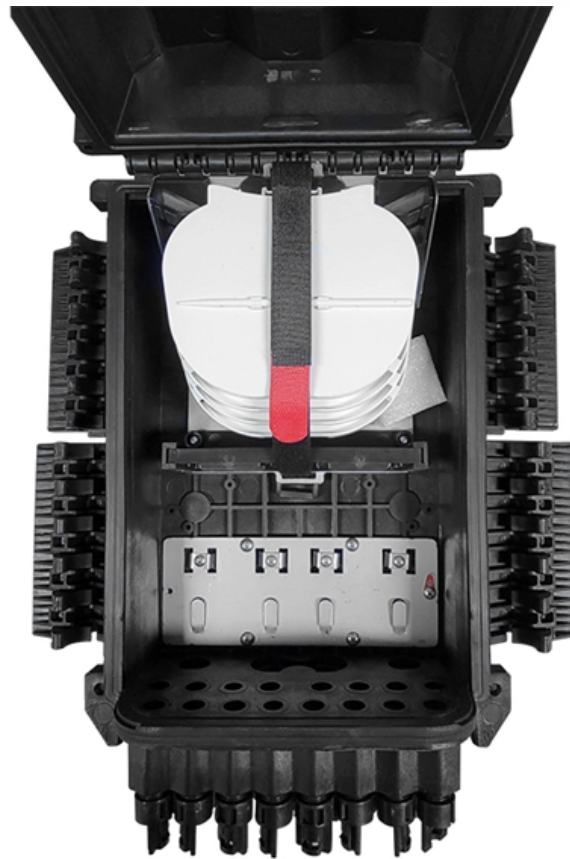


The function of the polishing pad in fiber optic patch cords





Overview

A fiber polishing pads is the support layer beneath the polishing film, responsible for distributing pressure evenly and maintaining surface flatness during the connector polishing process. The polishing process is critical for achieving low insertion loss and high return loss in fiber patch cords. Following strict procedures for cutting, polishing, and inspection ensures stable performance and long service life. The paper also discusses troubleshooting methods when re-polishing is required due to the various post polishing failures.



The function of the polishing pad in fiber optic patch cords



Fiber Optic Patch Cord Polishing Guide -High-Quality

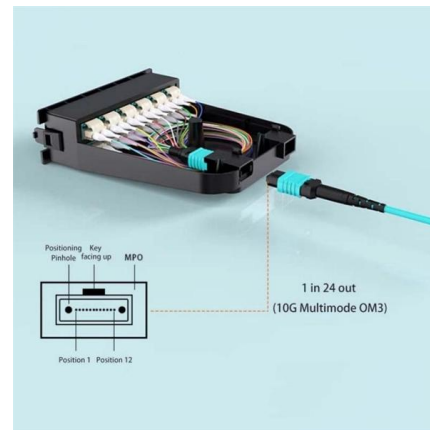
The polishing process is critical for achieving low insertion loss and high return loss in fiber patch cords. Following strict procedures for cutting,

[Contact Us](#)

Crackhead/pass.txt at master · moimikey/Crackhead ·

How to create a web form cracker in under 15 minutes. - moimikey/Crackhead

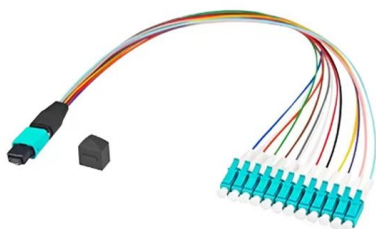
[Contact Us](#)



How to Make Sure High-Quality Fiber Optic Patch Cord? - Polishing in

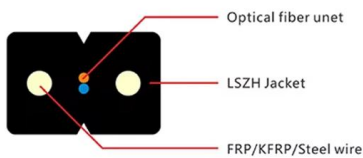
Set polishing parameters strictly according to the process for different connectors. Adjust speed and time based on polish film wear but do not alter pressure or the polishing pad arbitrarily.

[Contact Us](#)



Polishing of Fibers - cleaving, polishing process,

It discusses the cases where polishing is superior to cleaving of fibers, for example, for achieving precise end angles, high surface quality for large-diameter fibers, or



Polishing Best Practices

After cleaving the air polish is required to remove sharp fiber stubs, otherwise the stubs can snap and break under the polishing pressure which could result in the fiber being broken below the ferrule

[Contact Us](#)

AshwinD24's gists · GitHub

GitHub Gist: star and fork AshwinD24's gists by creating an account on GitHub.

[Contact Us](#)



Polishing type of fiber optic patch cord - Fiber Optic Cable

Understanding PC, UPC, and APC Fiber Patch Cables Fiber optic patch cables are essential in high-speed networks, providing the critical link between network components. These cables come in

[Contact Us](#)

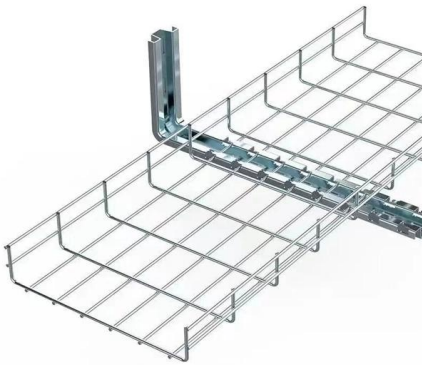




Polishing Best Practices

What is fiber optic connector polishing? Fiber optic connector polishing is a very critical step after connectorization that utilizes an epoxy termination technique. Polishing finalizes the connector

[Contact Us](#)



Fiber Optic Connector Polishing Machine Buying Guide

Fiber Optic Connector Polishing Machine Buying Guide Automatic fiber connector polishing machines are required for high volume, high quality and consistent fiber connector polishing for fiber cable

[Contact Us](#)

Polishing Process of Fiber Optic Patch Cords

Polishing Process of Fiber Optic Patch Cords Precision polishing ensures smooth end faces, stable IL/RL performance, and long-term connection reliability.

[Contact Us](#)

50km/spool



Fiber Optic Polishing Plate, Pad and Mat , FiberTek

Fiber Optic Polishing Plate, Pad and Mat The polishing plates, pads and mats provide the necessary surface support for the fiber optic connector polishing work

[Contact Us](#)



Tips for Using and Maintaining Fiber Patch Cables

Fiber patch cables can be used with many network devices, such as optical transceiver modules, fiber adapter panels, fiber cassettes, media converters, and other products having fiber

[Contact Us](#)



Patch Cord Polishing Grinding Machine Prices

What is Fiber optic polishing machines or Grinding Machines? Fiber optic polishing machines or Grinding Machine play an important role in fiber optic Patch Cord

[Contact Us](#)



The Polishing Method Of Fiber Patch Cable Connector -

To make better contact between the ends of the two fibers, the ferrule end faces of the fiber optic patch cable is usually polishing into different

[Contact Us](#)



Ultimate Guide to Fiber-Optic Patch Cables: Types, Selection, and

Learn about fiber optic patch cables, their types, construction, applications, and how to choose the right one for your network needs.

[Contact Us](#)



Fiber Optic Connector Polishing: Your Guide to Flawless



Discover the essential techniques for polishing fiber optic connectors to ensure optimal performance and minimize signal loss in your fiber optic

[Contact Us](#)



MTP/MPO Connector Polishing Procedure for High-Performance Cables

Learn the precise MTP/MPO connector polishing procedure for optimal performance in data centers. Discover equipment requirements, step-by-step process, and troubleshooting tips for

[Contact Us](#)

Fiber Optic Polishing Film & Pads , Wholesale Supplier

What is Patch Cord Polishing Films/Lapping & Pads? polishing films/Lapping have 30u 9u 3u 1u 0.03u(ADS) .Optional types we offers various Polishing Films/Lapping Films for fiber optic



[Contact Us](#)



- IP65/IP55 OUTDOOR CABINET
- ALUMINUM
- OUTDOOR ENERGY STORAGE CABINET
- OUTDOOR EQUIPMENT CABINET

What to do in Your Fiber Optic Cable Assembly

The Polishing process is an important step in the manufacture of cable assemblies. Fiber optic polishing ensures your connectors meet geometric

[Contact Us](#)



Fiber Optic Pigtails: Uses & Differences from Patch Cords

Understand fiber optic pigtails -- definition, types, and how they differ from patch cords. Learn why pigtails ensure reliable, low-loss fiber terminations.

[Contact Us](#)



The Polishing Method Of Fiber Patch Cable Connector -

Different polishing styles determine the quality of optical fiber, which results in different performances regarding the connector's insertion loss and

[Contact Us](#)

Polishing Fiber Optic Connectors Explained

Because the ferrule holds multiple fibers, it must be polished with a "flat" (not radiused) end-face, with all fiber end-faces protruding a certain distance

[Contact Us](#)



Fiber Polishing Pads: The Unsung Heroes of Precision

A fiber polishing pads is the support layer beneath the polishing film, responsible for distributing pressure evenly and maintaining surface flatness

[Contact Us](#)



How Fiber Optic Patch Cords Are Manufactured and

Fiber cables are cut to required lengths using automated cutting machines for consistent output and high efficiency. Remove the outer jacket and

[Contact Us](#)



Tools & Equipment for Fiber Optic Patch Cord Production

Explore essential tools and equipment for producing high-quality fiber optic patch cords -- from curing ovens to polish machines and end-face detectors.

[Contact Us](#)

Contact Us

For datasheets, pricing, or custom fiber access solutions, please visit:
<https://frindel.es>