

The Entire Manufacturing Process of AI Servers





The Entire Manufacturing Process of AI Servers



What we know about energy use at U.S. data centers

Most of the electricity used by data centers - about 60% on average, the IEA reports - powers the servers that process and store digital information.

[Contact Us](#)

Your Sustainability Transformation Partner , Fujitsu Global

Our purpose: Make the world more sustainable by building trust in society through innovation.

[Contact Us](#)



How Dell Technologies Is Building the Engines of AI

Leading system builders are racing to ramp up production of the servers for AI factories - the engines of AI factories - to meet the world's

[Contact Us](#)

Ready or Not? The Era of AI Factory Has Arrived!

At its core, an AI Factory is a high-speed, repetitive production pipeline for generating intelligence. Ingesting massive datasets, performing training and



SoftBank pushes to develop in-house AI servers with Nvidia, Foxconn

SoftBank is discussing plans with Nvidia and Foxconn to produce AI servers in Japan, Reuters reported, citing Nikkei. SoftBank aims to assemble servers using externally procured parts,

[Contact Us](#)

What's going on inside Intel?

IBM boosts AI mainframe capabilities with Z17: IBM continues to try to break out of the mindset that mainframes are just for transaction processing. The latest server offers greater AI



[Contact Us](#)

What is a manufacturing execution system (MES)?

Manufacturing execution system overview A manufacturing execution system, or MES, is a comprehensive, dynamic software system that monitors, tracks, documents, and controls the



[Contact Us](#)



NVIDIA Blackwell Universal Data Center GPU

NVIDIA RTX PRO 6000 Blackwell Server Edition delivers groundbreaking capabilities for applications including AI inference, content

[Contact Us](#)



NVIDIA GB200 Supply Chain: The Global Ecosystem

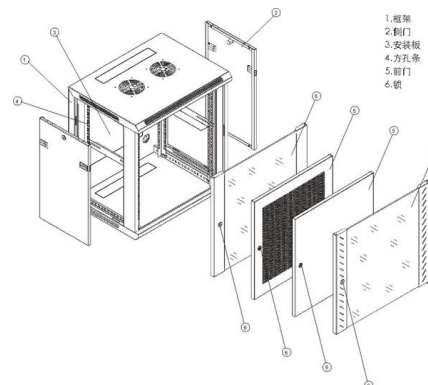
Chip Fabrication and Packaging At the core of the GB200 supply chain is the semiconductor manufacturing process. NVIDIA designs the Blackwell GPU and

[Contact Us](#)

Samsung Teams With NVIDIA To Lead the Transformation of Global

Samsung Electronics today announced plans to create a new AI Megafactory in collaboration with NVIDIA, marking a major milestone in the company's efforts to lead the global

[Contact Us](#)



What is SAP System - Definition, Meaning of ERP SAP

SAP stands for Systems, Applications, and Products in Data Processing. In simple terms, SAP is an enterprise software package that helps

[Contact Us](#)

NVIDIA and Samsung Build AI Factory to Transform



NVIDIA today announced plans with Samsung Electronics to build a new AI factory, representing a new era where intelligent computing and chip

[Contact Us](#)



ABB invests \$200 million across Europe to accelerate grid

ABB announced today that it is investing around \$200 million in its medium-voltage manufacturing capabilities across Europe over the next three years to expand production capacity,

[Contact Us](#)



A Jargon-Free Guide on How AI Server Architecture Works

Whether you're deploying AI in your business, tinkering with a project, or just want to understand the tech shaping our world, this guide discusses what

[Contact Us](#)



3BL

We've helped over 1,500 organizations build stronger communications and distribute their stories on credible publishers that drive reputation.

[Contact Us](#)





WORLD WIDE WEB JOURNAL Home

The process may take but once it finishes a file will be downloadable from your browser. You may continue to browse the DL while the export process is in progress.

[Contact Us](#)



Navigating the AI Server Supply Chain: A Comprehensive Guide

The AI server supply chain is a dynamic and evolving landscape that requires a keen understanding of the different stages involved in production. By focusing on L6 and L10 processes,

[Contact Us](#)

How to Build an Affordable Custom AI Server for AI

In this overview, Jun Yamog guides you through the essentials of building a high-performance AI server, from selecting the right GPUs to optimizing

[Contact Us](#)



The Invisible Foundation of AI Computing: Unveiling the "High-Speed

This article reveals how AI server PCBs are the crucial, unsung heroes of AI computing. It details the unique demands and advanced manufacturing processes, such as low-loss materials,

[Contact Us](#)





Beyond the Hype: The Real Manufacturing Challenges

However, manufacturing an AI server is fundamentally different from building traditional hardware. This new paradigm presents a unique set of

[Contact Us](#)



Customer Success Stories: Case Studies, Videos,

Phagos is using generative AI to change the way infectious diseases are treated Phagos has a remarkable mission: to end bacterial disease. Today, Phagos is

[Contact Us](#)

AI Server Motherboard PCB Manufacturing: Mastering High-Speed

An in-depth analysis of core technologies in AI server motherboard PCB manufacturing, covering high-speed signal integrity, thermal management, and power/interconnect design to help you build high

[Contact Us](#)



We did the math on AI's energy footprint. Here's the

The emissions from individual AI text, image, and video queries seem small--until you add up what the industry isn't tracking and consider where it's

[Contact Us](#)



Siemens and Xometry to expand supply chain intelligence

Siemens' software and the comprehensive digital twin enable companies to optimize their design, engineering and manufacturing processes to turn today's ideas into the sustainable products

[Contact Us](#)



AI Adoption in Manufacturing: Insights, ROI Benchmarks

Digital twins are virtual replicas of products, production processes, settings, or even entire manufacturing branches. AI-driven digital twins replicate

[Contact Us](#)



Digital Transformation in Manufacturing 2026: The Complete Guide

What is Digital Transformation in Manufacturing? The digitalization of manufacturing involves the full implementation of advanced digital technologies throughout the entire production

[Contact Us](#)



SoftBank explores homegrown AI servers with Nvidia, Foxconn: Report

SoftBank is exploring plans to manufacture artificial intelligence servers within Japan. The company is in talks with chip giant Nvidia and contract manufacturer Foxconn. Initially, SoftBank

[Contact Us](#)



Nasdaq: Stock Market, Data Updates, Reports & News



Get the latest stock market news, stock information & quotes, data analysis reports, as well as a general overview of the market landscape from Nasdaq.

[Contact Us](#)



Contact Us

For datasheets, pricing, or custom fiber access solutions, please visit:
<https://frindel.es>