

The 3 pins of the laser diode





The 3 pins of the laser diode



Laser diode

Laser diodes form a subset of the larger classification of semiconductor p - n junction diodes. Forward electrical bias across the laser diode causes the two species of

[Contact Us](#)

Laser Diode: The Ultimate Beginner's Guide

This is the ultimate beginner's guide to the laser diode. Learn how lasers work and how you can use them in your own projects with this guide.

[Contact Us](#)



405nm~1550nm Single Mode Fiber Coupled Laser Module with 14-Pin

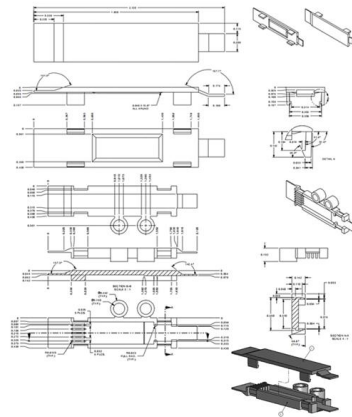
Wavespectrum offer the 405nm~1610nm butterfly (BTF) package laser modules with single mode (SM) fiber, 14-Pin package laser diode module with TEC cooler, high stability, long lifetime.

[Contact Us](#)

Laser Diode Pinout

The laser diode pinout is the guide for us to how to connect the diodes. It may be different according to the laser diode module number. You can see it the following

[Contact Us](#)



SOLVED Laser diode has 3 wires = confusion

It has both a laser diode and a photodiode mounted internally. This kind of 'raw' device requires special driver circuit to control the laser diode current so as not to destroy it.

[Contact Us](#)

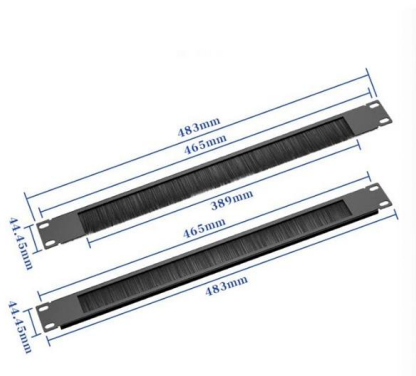


PLPM7 455QA_LL , ams OSRAM SMD, SMD Diode Laserdiode Blau

Bestellen Sie ams OSRAM SMD, SMD Diode Laserdiode Blau 36V 31 V, 455 nm / 42 W, 8-Pin 8-polig SMD PLPM7 455QA_LL oder weitere Laser-Dioden online - versandkostenfrei ab 100 EUR



[Contact Us](#)



1310 nm laser diode: 7 models up to 500mW

1310 nm laser diode models up to 500mW offered as stock items or associated with a turnkey Driver. Narrow linewidth single frequency

[Contact Us](#)



Laser Diode: The Ultimate Beginner's Guide

The second pin is the cathode, which is the negative pin of the laser

[Contact Us](#)



Laser Diode Tutorial

In the LD Guide tab, we will walk through an overview of the major considerations and warnings involved with handling and operating laser diodes. Damage mechanisms are introduced and common

[Contact Us](#)

Fiber Coupled Diode Module with 14-Pin Butterfly (BTF) Package

Wavespectrum offer the Fiber coupled diode laser module with 14-pin butterfly (BTF) package, pigtailed laser module with TEC cooler, high stability, long lifetime.

[Contact Us](#)



1625 nm laser diode up to 100 mW DFB

These 1625 nm laser diodes are offered as stock items or associated with a Pulsed Laser Diode Driver. Narrow 1625nm emission bandwidth as low as 160 KHz.

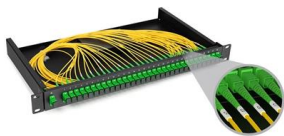
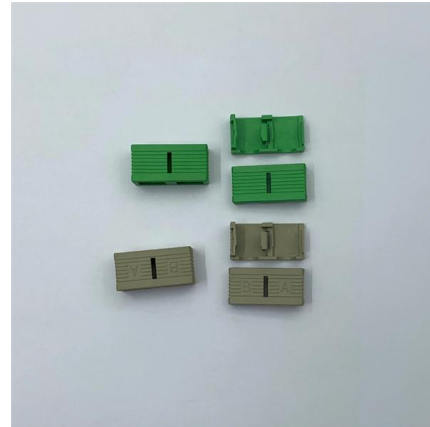
[Contact Us](#)



Connecting laser diode to a driver

The LD pin (Pin 1 in your Laser Diode Diagram) is connected to the LDK terminal of the integrated circuit present in the driving module; The PD pin

[Contact Us](#)



Global Leader in Materials, Networking, and Lasers

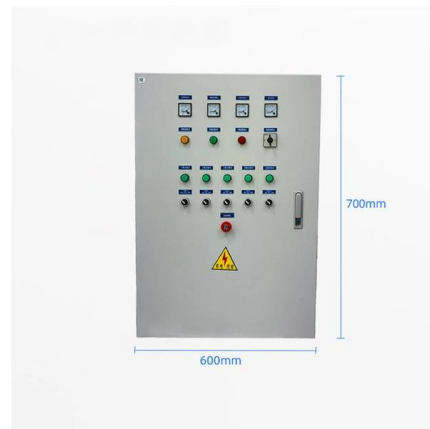
Learn how Coherent empowers innovations and breakthrough technologies for the industrial, communications, electronics, and instrumentation markets.

[Contact Us](#)

Laser Diode Characteristics, Precautions for Use and Drive Circuit

ROHM refers to the pins of a three-pin package as pins 1, 2 and 3, clockwise when viewed from the top of the package (the side where the laser beam is emitted).

[Contact Us](#)



How to Use Laser Diode: Examples, Pinouts, and Specs

Learn how to use the Laser Diode with detailed documentation, including pinouts, usage guides, and example projects. Perfect for students, hobbyists, and

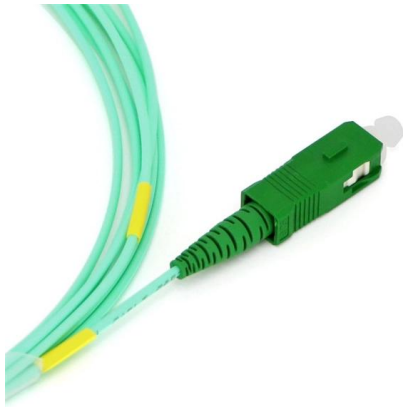
[Contact Us](#)



Interfacing laser diode module with Arduino

They typically have three input pins: VCC (power supply), GND (ground), and SIG (signal). The SIG pin allows to control the laser module,

[Contact Us](#)



940 nm laser diode from 200 mW up to 200 W

These single mode and multi mode fiber-coupled 940 nm laser diodes are offered as stock items or associated with a CW or pulsed Turn-Key Laser Diode Driver.

[Contact Us](#)

ULTRA-COMPACT UNCOOLED 980nm MICRO PUMP LASER DIODE

Housed within a compact 3-pin, reduced-height package with a volume of just 101mm³, the laser module enables equivalent performance to the II-VI leading 3-pin uncooled micro-format products.

[Contact Us](#)



High-speed Semiconductor Laser Diode Driver with Analog Signal

Abstract: In this paper, we present a high-speed laser diode driver that has a very sensitive analog modulation input. It is designed to be part of the electronics of a laser projection system

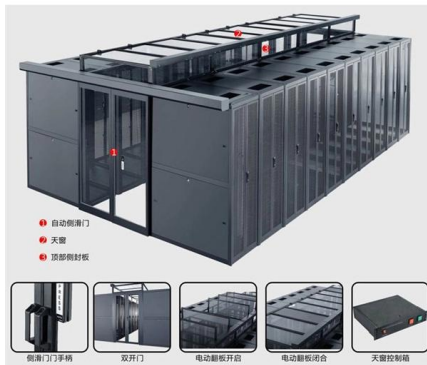
[Contact Us](#)



What is a Laser Diode Driver?

A Laser Diode Driver (LDD) is a circuit or device that provides a steady and controlled current to a laser diode. It ensures a stable, precise, and low-noise current supply, optimizing laser

[Contact Us](#)



780nm DFB Laser, Rb-D2 780.24nm (QUANTUM OPTICS)

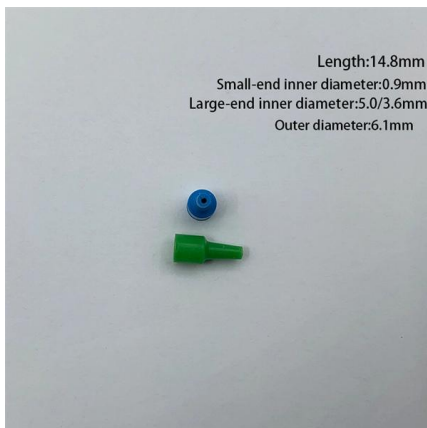
Product Overview 780nm DFB Laser These DFB lasers operate in both CW and pulsed modes. They are tunable to the Rb-D2 (780.24nm in vacuum) absorption

[Contact Us](#)

An Introduction to Laser Diodes

Learn about the laser diode, including package types, applications, drive circuitry, and some laser diode specifications.

[Contact Us](#)



MICRO-FORMAT UNCOOLED 980 nm PUMP LASER DIODE MODULE

Housed within an ultra-compact 3-pin micro-format package with a volume of just 141 mm³, the laser module enables equivalent performance to the Coherent leading 8-pin uncooled mini-DIL products.

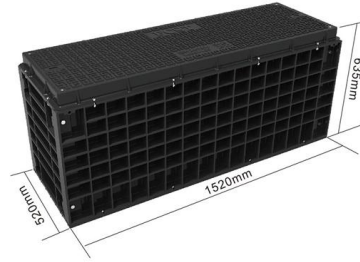
[Contact Us](#)



ULTRA-WIDE TEMP. UNCOOLED 980 nm PUMP LASER DIODE

Housed within an ultra-compact 3-pin micro-format package with a volume of just 141 mm³, the laser module enables equivalent performance to the Coherent leading 8-pin uncooled mini-DIL products.

[Contact Us](#)



Contact Us

For datasheets, pricing, or custom fiber access solutions, please visit:
<https://frindel.es>