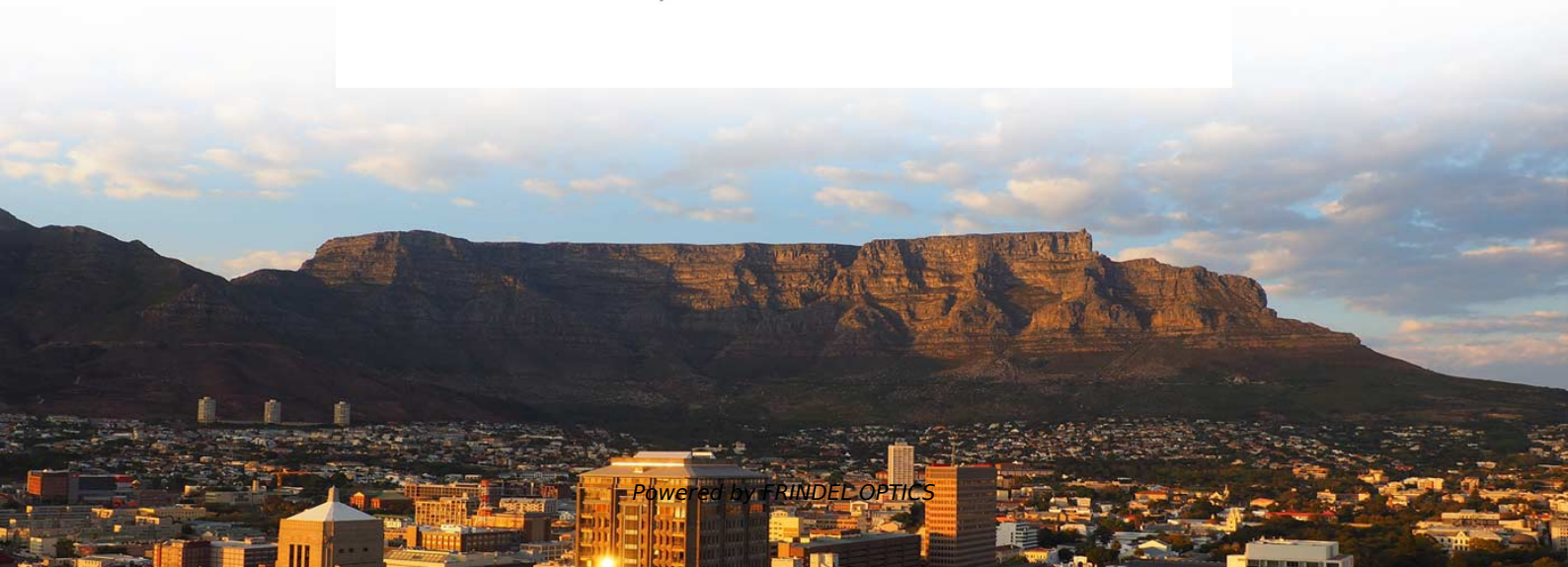


Tanzania exports 1MWh of photovoltaic power generation system at CIF price





Tanzania exports 1MWh of photovoltaic power generation system a



Solar Technology in Tanzania and Kenya, a Possible

As African countries seek to develop a more sustainable energy base, they must balance the energy needs of their people with the adjustment pains of

[Contact Us](#)

Tanzania: Largest Solar Power Plant in Offing

THE Tanzania Electric Supply Company Limited (TANESCO) is expected to sign an agreement with Total Energies for construction of the largest

[Contact Us](#)



Power plant profile: Shinyanga Solar PV Project, Tanzania

Shinyanga Solar PV Project is a 50MW solar PV power project. It is planned in Shinyanga, Tanzania. According to GlobalData, who tracks and profiles over 170,000 power plants

[Contact Us](#)



The road map for sustainable development using solar energy

The findings showed that Tanzania has experienced moderate growth in solar power due to energy sector deregulation, a strong feed-in-tariff (FIT) policy and the efforts of the Tanzania Solar



Solar and Energy Transition: Good policy intentions but

Multiple studies have concluded that the Eastern Africa region has the highest technical potential for solar power technologies, with estimates of 175 PWh and

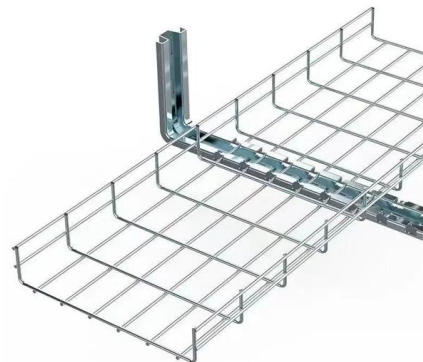
[Contact Us](#)



Tanzania Signs First 50 MW Solar Power Agreement for

Tanzania has entered into an agreement to construct the country's first-ever solar photovoltaic power station to feed into the national electricity grid.

[Contact Us](#)



The road map for sustainable development using solar energy

Examines the current state of RES, covering solar energy within the power sector on a national and international scale.

[Contact Us](#)





Renewable energy in Tanzania: Advancements in solar PV

ine in solar PV costs has been one of the most compelling stories in energy. According to the International Renewable Energy Agency (IRENA), the global weighted-average levelized cost of

[Contact Us](#)



Solar energy: Hotspots in Tanzania

For example, both of course require high irradiance, but concentrated solar power relies only on direct irradiance, whereas photovoltaics also harvest diffuse sunlight.

[Contact Us](#)

Tanzania Solar Energy Market (2025-2031) , Share & Size

Our analysts track relevant industries related to the Tanzania Solar Energy Market, allowing our clients with actionable intelligence and reliable forecasts tailored to emerging regional needs.

[Contact Us](#)



Tanzania

The NEP, under its rural energy transformation strategy, recognized that major barriers towards increasing access to modern energy services in rural areas include remoteness, low population

[Contact Us](#)

INVESTING IN TANZANIA



Tanzania supplements its domestic generation capacity with regional imports. In 2024, it imported approximately 1,264,290 MWh of electricity at an average cost of USD 0.085 per kWh.

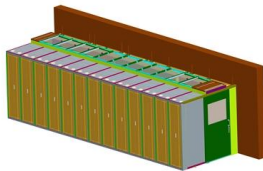
[Contact Us](#)



Top Solar Power Solutions In Tanzania , GadgetroniX

Explore Tanzania's journey in solar power solutions: Customized systems, innovative technologies, and collaborations for a sustainable, electrified future.

[Contact Us](#)



Tanzania Photovoltaic Energy Storage Power Station: Key Solutions

This article explores how solar energy storage systems address energy gaps, support economic growth, and integrate with Tanzania's unique infrastructure needs - all while highlighting actionable insights

[Contact Us](#)



Solar

Solar energy is the conversion of sunlight into usable energy forms. Solar photovoltaics (PV), solar thermal electricity and solar heating and cooling

[Contact Us](#)

To date, about 6 MW of Photovoltaic (PV) solar energy have been installed in Tanzania. The Government supports solar development within the country by removing VAT and import taxes

[Contact Us](#)



Tanzania Renewable Energy Landscape: A Promising

Landscape of Tanzania Renewable Energy Projects Tanzania is currently home to 11 large, ongoing, and upcoming renewable energy generation projects. They

[Contact Us](#)

Securing Tanzania's clean energy future: How Tanzania

Securing Tanzania's clean energy future: How Tanzania can harness its renewable energy opportunities With a high wind potential that covers more than 10% of its

[Contact Us](#)



A new era for clean energy in Tanzania

The new power system is designed to inspire other organizations to follow suit and create a clean energy revolution in Tanzania. Solar power will also improve quality of life, because while

[Contact Us](#)



Solar in Tanzania - Power Providers Tanzania

Solar insolation values for Tanzania are at least twice that of those available in Europe (see a map of the solar irradiation in Tanzania by SolarGIS here)

[Contact Us](#)



High-resolution solar data and analysis for Tanzania

The National Renewable Energy Laboratory (NREL) has extended its Renewable Energy Data Explorer tool to encompass solar data and analysis for

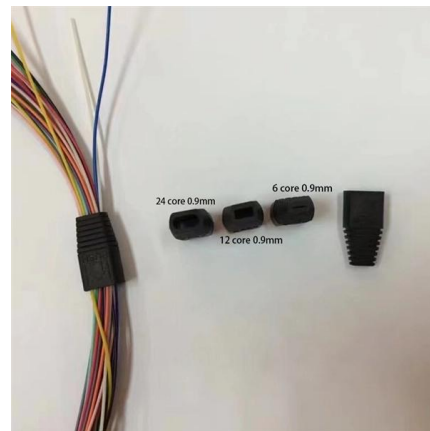
[Contact Us](#)



Tanzania buys solar power from small independent

Tanzania has, currently, a power generation capacity of around 1.5 GW, most of which comes from 696.3 MW of thermal gas and diesel power plants

[Contact Us](#)



Tanzania electricity generation by technology in the Africa Case, 2010

Tanzania electricity generation by technology in the Africa Case, 2010-2040 - Chart and data by the International Energy Agency.

[Contact Us](#)





100% RENEWABLE ENERGY FOR TANZANIA

The Institute of Sustainable Futures (ISF) at the University of Technology Sydney has produced an economic and technical scenario model for transition towards a renewable energy system. The

[Contact Us](#)



(PDF) Renewable energy in Tanzania: Advancements in

Despite plentiful solar resources (averaging 5-6 kWh/m²/day), Tanzania's electrification remains low, with just around 33% national and 17%

[Contact Us](#)

Barriers to Large-scale Solar Power in Tanzania

The Tanzanian official power system expansion plan shows a dominant dependence on fossil fuel-fired power plants till 2040. Hence identifying and analysing the underlying barriers for the

[Contact Us](#)



NATIONAL RENEWABLE ENERGY STRATEGY

2.1.4 Renewable energy development outlook for power generation Tanzania is committed to reducing its GHG emissions by 30% to 35% by 2030 compared to the Business as Usual (BaU) scenario

[Contact Us](#)



Energy in Tanzania

Energy in Tanzania is fundamental to the nation's projected economic growth, with estimates indicating that the economy could expand sevenfold by 2040, while energy demand is expected to increase by

[Contact Us](#)



Electrical power output potential of different solar

Abstract and Figures This study examines the photovoltaic (PV) energy output and levelized cost of energy (LCOE) in seven regions of Tanzania

[Contact Us](#)

UNDP Inaugurates 227kWp Hybrid Solar System in Promoting

Dar es Salaam - The UNDP Tanzania Country Office today has officially inaugurated its 227kWp Hybrid Solar Power System, which is installed at the United Nations House in Dar es

[Contact Us](#)



Contact Us

For datasheets, pricing, or custom fiber access solutions, please visit:
<https://frindel.es>