

# TP Switch Aggregation Settings





## Overview

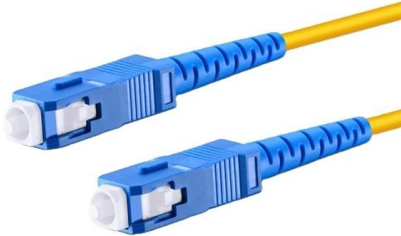
---

In this guide, I will be demonstrating how to set up a LAG (Link Aggregation Group) using LACP. The two TP-Link switches used as examples are the TP-Link T1500G-10MPS Power over Ethernet (PoE) smart switch (affiliate link) and the TP-Link T2600G-28TS switch (affiliate link). 3ad, is used to combine multiple physical links dynamically as a logical link, and thus this logical link will have higher bandwidth and. The TP-Link TL-SG108 switch supports link aggregation, allowing users to enhance network performance.



## TP Switch Aggregation Settings

---



### Noob trying to set up 'Link Aggregation' on new tp link switch

I just got a set of 2 tp link TL-SG108E switches with the idea of setting up link aggregation between the two switches.

[Contact Us](#)

### Link Aggregation (LAG) with TP-Link SG2008 Switch and Synlogy

In this video you can learn how to setup LAG (Link Aggregation Group) between your Local area Network using NAS to combine multiple physical ports together to make a single logical channel, which



[Contact Us](#)



### How to Configure LAG/LACP and VLANs using SFP Ports on Two TP

In this video you can learn how to setup LAG (Link Aggregation Group) between your Local area Network using NAS to combine multiple physical ports together to make a single logical channel, which

[Contact Us](#)

### How to configure Link Aggregation for EAP , TP-Link United Kingdom

Now you can connect the switch port 5 and the EAP's ETH2 port with the second Ethernet cable. So far, all the settings are completed! Configuration in Controller mode Step 1. Log in to the controller with



### Configuring LAG

The switch uses LACP to implement dynamic link aggregation and disaggregation by exchanging LACP packets with its peer device. LACP extends the flexibility of the LAG configuration.

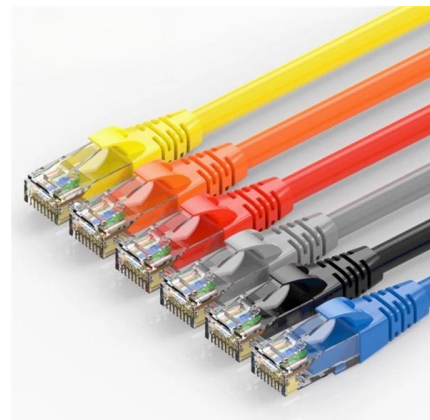
[Contact Us](#)



### How To Use Link Aggregation On The Tp-Link TI-Sg108 For

The TP-Link TL-SG108 switch supports link aggregation, allowing users to enhance network performance. This guide explains how to configure link aggregation on the TL-SG108 for

[Contact Us](#)



### How to configure LACP on our Smart/Managed Switch

When exchanging information between systems, the system with higher priority determines which link aggregation a port belongs to, and the system with lower priority adds the proper ports to the link

[Contact Us](#)



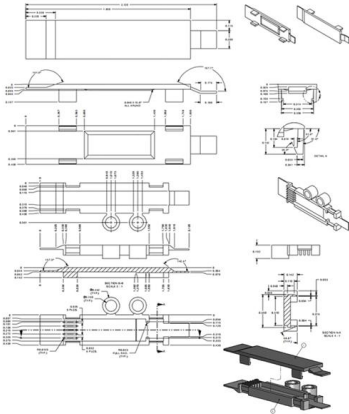
### How to Configure LAG/LACP and VLANs



## using SFP

The TP-link T1500G-10MPS has two SFP ports and the TP-Link T2600G-28TS has 4 SFP ports. Link aggregation can be set up using a static

[Contact Us](#)



## How to configure link aggregation on TP-Link Wi-Fi products

Note: The wireless router doesn't support link aggregation under the Access Point Mode. Introduction: Some TP-Link Wi-Fi products have the Link Aggregation function which can aggregate two LAN

[Contact Us](#)



## How to configure Link Aggregation for EAP , TP-Link

Now you can connect the switch port 5 and the EAP's ETH2 port with the second Ethernet cable. So far, all the settings are completed! Configuration in

[Contact Us](#)



## How to use CPEs to build up a LAG (Link Aggregation)

With the LAG (Link Aggregation Group) function, you can aggregate multiple physical ports into a logical interface. Typical LAG setups use Ethernet

[Contact Us](#)





## Help setting up TP-LINK TL-SG108E

12 votes, 10 comments. Hi, I am setting up a TL-SG108E switch that I recently purchased to do link aggregation (Port Trunk) between my mac and my

[Contact Us](#)



### Product Catalog



## LC59: TP Link Omada Switch Multiply LAN Bandwidth with Static Link

LC34: Full TP Link Omada Configuration Set Up ER605 ER7206 ER8411 Home, IoT, Camera, Guest,ACL,mDNS Creative Commons Attribution license (reuse allowed)

[Contact Us](#)

## How to configure LACP on our Smart/ Managed Switch

Here we take an example to clarify how to configure LACP feature between two TP-Link switches. Application Scenario As shown in the picture below, here are T3700G-28TQ v1 and T2600G-28TS

[Contact Us](#)



## How to configure LACP on our Smart/ Managed Switch

When exchanging information between systems, the system with higher priority determines which link aggregation a port belongs to, and the system with lower

[Contact Us](#)





## TP-Link TL-SX3016F Managed Switch Price in Bangladesh

TP-Link TL-SX3016F delivers 16×10G SFP+ ports, Omada SDN management, and enterprise-grade fiber networking performance.

[Contact Us](#)



### Help needed

Start a New Thread Help needed - TL-SG105E V1 - Link Aggregation 2016-04-07 09:55:17 Model : Hardware Version : Not Clear Firmware Version : TL-SG105E\_V1\_141016 ISP : Hi

[Contact Us](#)

### How to configure link aggregation on TP-Link Wi-Fi

Note: The wireless router doesn't support link aggregation under the Access Point Mode.  
Introduction: Some TP-Link Wi-Fi products have the Link Aggregation

[Contact Us](#)



### How To Enable Link Aggregation On Tp-Link TL-Sg108

Link aggregation is a useful feature that combines multiple network connections to increase bandwidth and provide redundancy. If you own a TP-Link TL-SG108 switch and want to

[Contact Us](#)



## How to configure link aggregation on TP-Link Wi-Fi products

Note: The wireless router doesn't support link aggregation under the Access Point Mode.  
Introduction: Some TP-Link Wi-Fi products have the Link Aggregation function which can aggregate

[Contact Us](#)



## How to configure LACP on our Smart/Managed Switch

When exchanging information between systems, the system with higher priority determines which link aggregation a port belongs to, and the

[Contact Us](#)

## Noob trying to set up 'Link Aggregation' on new tp link switch

I just got a set of 2 tp link TL-SG108E switches with the idea of setting up link aggregation between the two switches. I want to do this because right now I'm running my server PC and gaming

[Contact Us](#)



## How to configure the Link Aggregation of GPON OLT

```
OLT (config-interface-aggregation)#show link-  
aggregation group 9 Lag ID Lag Type Selected  
Ports Unselected Ports Load Balance Master Port  
9
```

[Contact Us](#)



## configuring\_lag

- 1) Configure the global load-balancing algorithm.
- 2) Configure Static LAG or LACP. Ensure that both ends of the aggregation link work in the same LAG mode. For

[Contact Us](#)



### How to configure link aggregation on TP-Link Wi-Fi

Enable the Link Aggregation function, select two LAN ports you want as aggregated ports (the aggregated ports are set to LAN2 and LAN3 on

[Contact Us](#)

### How to use CPEs to build up a LAG (Link Aggregation) tunnel

In this case, we should use Static LAG because LACP mode may cause a broadcast storm in this scenario. Create a Static LAG group of two ports on both Switch-1 and Switch-2.LAG setup

[Contact Us](#)



### How To Set Up NIC Teaming (Link Aggregation)

Next up: setting up the switch. You'll need a switch that supports link aggregation, whereby there's management capabilities that will allow you to bond

[Contact Us](#)

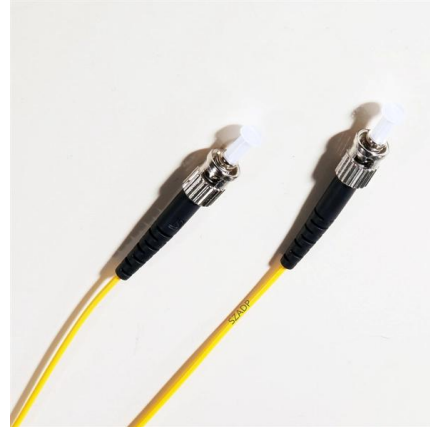




## Google Forms Complete Guide , Creating Forms, Question Types,

A complete guide to Google Forms covering form creation, the eleven question types, theme and header customization, response aggregation, Sheets integration, and the auto-graded

[Contact Us](#)



## Contact Us

---

For datasheets, pricing, or custom fiber access solutions, please visit:  
<https://frindel.es>