

# **TP-802 Microcomputer Relay Protection Tester**





## Overview

---

This microcomputer-based relay protection tester provides precise 3-phase current output for testing and verifying the performance of protective relays in electrical systems. It can test not only various traditional relays and protection devices, but also various modern microcomputer protections, especially for transformer differential protection and. Understanding the key trends shaping this segment is crucial for making informed procurement decisions. 4" TFT true color LCD display, tracking ball and optimized keyboard are allocated on the faceplate of this tester, which can be used without the. adopted modern latest new digital technology, high precision electronic parts, micro system with new circuits and new structure.



## TP-802 Microcomputer Relay Protection Tester

---



### Ht-802 Micro Computer Control Automatic 3 Phase Relay Protection Tester

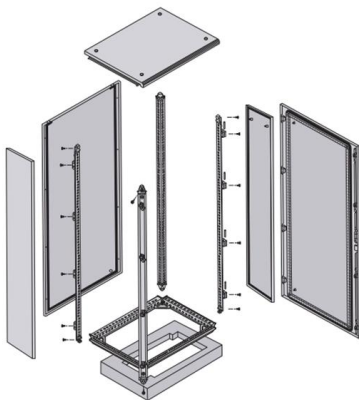
3 phase relay test set can verify various relays (such as current, voltage, inverse time, power direction, impedance, differential, low cycle, synchronization, frequency, DC, intermediate, time, etc.) and

[Contact Us](#)

### Uhv-802 Microcomputer Digital Three Phase Relay Protection Tester

Uhv-802 Microcomputer Digital Three Phase Relay Protection Tester, Find Details and Price about Microcomputer Relay Protection Tester Relay Protection Tester from Uhv-802 Microcomputer Digital

[Contact Us](#)



### HVJB-802 Microcomputer Protection Relay Test Set

It Features 1.Meets all the requirement of field tests. This tester with standard 3 phase voltage, 3 phase current output, voltage 125V/phase, current 30A/phase, 3 phases in parallel can up to 180A. Digital

[Contact Us](#)

### LND-802 Microcomputer Relay Protection Tester

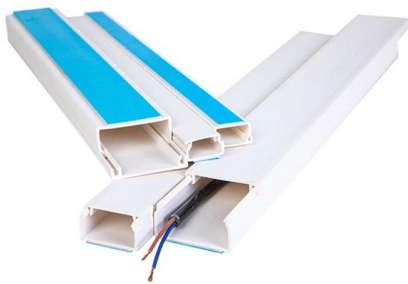
It can test not only various traditional relays and protection devices, but also various modern microcomputer protections, especially for transformer differential



### ZCAR-802 Microcomputer Protective Relay Tester

We will show you how to improve service efficiency and quality.

[Contact Us](#)



### ZX-802 Microcomputer-Based Three-Phase Relay Protection Tester

The ZX-802 Microprocessor-Based Relay Protection Tester can calibrate various relays (such as current, voltage, inverse time, power direction, impedance, differential, low-frequency, synchronizing,

[Contact Us](#)



### Microcomputer Protective Relay Tester

ZCAR-802 microcomputer relay protection tester is an important test tool to ensure the safety and reliability of power system operation.adopted modern latest new digital technology, high precision

[Contact Us](#)





### **VLUUKE LND-802 Relay Protection Tester: Reliable Solution for**

VLUUKE LND-802 Three-phase Relay protection Tester Relay protection Calibrator Microcomputer Industrial Control Instrument No reviews yet 1 sold#3 most popular in Aluminum Alloy Testing

[Contact Us](#)



### **HVJB-802 Microcomputer Protection Relay Test Set**

Not only test the traditional relays and protectors, but also test the modern microcomputer relays, special for transformer differential protection and transfer equipment.

[Contact Us](#)

### **VLUUKE Protection Relay Test Kit Microcomputer Relay**

The seller arranged delivery to the Russian Federation perfectly, without unnecessary additional payments. The device is working, protection has not yet

[Contact Us](#)



### **Microcomputer Protective Relay Tester**

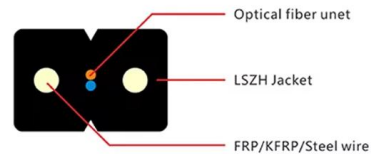
ZCAR-802 relay tester is operated by a convenient and flexible rotating mouse through a large LCD screen and a full English display. It can perform the most test work, including various relay and micr

[Contact Us](#)



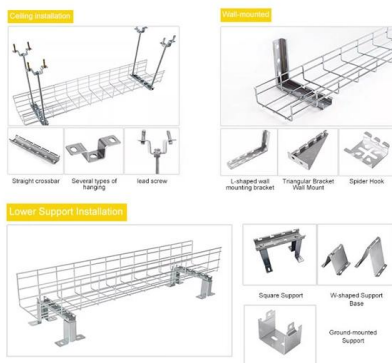
### Ht-802 Micro Computer Control Automatic 3 Phase Relay Protection

Manual test / automated test: In the test, you can set the amount of change is manual or automatic. After setting data and pressing "enter", please check the data and press "Start" to begin the test. The



[Contact Us](#)

#### INSTALLATION METHOD



### VLUUKE LND-802 Microcomputer Relay Protection Tester Three-phase Relay

1. Meet all test requirements on site. The instrument has standard four phase voltage and three-phase current output. It can test not only various traditional relays and protection devices, but also various

[Contact Us](#)

### Microcomputer 3-Phase Relay Protection Tester with 8.4" Display

This microcomputer-based relay protection tester provides precise 3-phase current output for testing and verifying the performance of protective relays in electrical systems.

[Contact Us](#)



### Micro Computer Control Automatic 3 Phases Relay

Micro Computer Control Automatic 3 Phases Relay Protection Tester, Find Details and Price about 3 Phase Relay Protection Tester Hzjbi Relay Protection Tester

[Contact Us](#)





### VLUUKE LND-802 Microcomputer Relay Protection Tester Three-phase Relay

1, Meet all test requirements on site. The instrument has standard four phase voltage and three-phase current output. It can test not only various traditional relays and protection devices, but also various

[Contact Us](#)



### VLUUKE LND-802 Microcomputer Relay Protection Tester 3

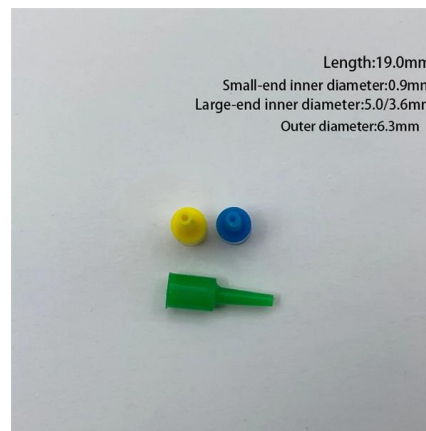
Tax excluded, add at checkout if applicable  
Customer Reviews Specifications Description  
Store More to love

[Contact Us](#)

### UHV-802 Protective Relay test System Microcomputer protection Relay

1?Meet all field test requirements. The Microcomputer relay protection tester has the standard four phase voltage, three phase current output, voltage 125V/phase, phase current a / 40. Three-phase

[Contact Us](#)



### VLUUKE LND-802 Relay Protection Tester: Reliable Solution for

High Accuracy: Ensures precise and reliable test results, meeting the stringent standards of DL / t624-1997 for relay protection testing. Ip67 Protection Class: Provides high resistance to dust and water,

[Contact Us](#)



**ZCAR-802 Microcomputer Protective Relay Tester**

ZCAR-802 microcomputer relay protection tester is an important test tool to ensure the safety and reliability of power system operation.adopted modern latest new digital technology, high precision

[Contact Us](#)



**HVJB-802 Microcomputer Protection Relay Test Set**

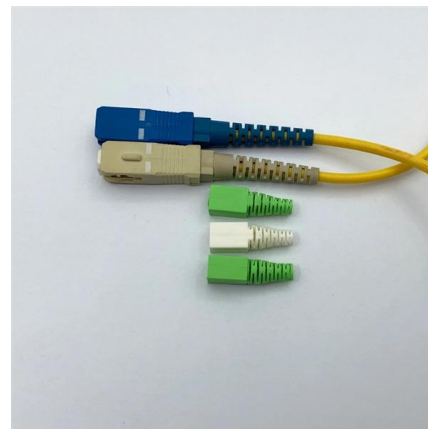
Digital Signal Processor Microcomputer. Not only test the traditional relays and protectors, but also test the modern microcomputer relays, special for transformer differential protection and transfer equipment.

[Contact Us](#)

**WDJB-802 Three**

WDJB-802 Three- phase microcomputer Relay Protection Tester Hardware Structure 1.High-Performance Industrial Control Computer 2.Digital Signal Processor Micro 3.D/A Conversion and

[Contact Us](#)



**Lnd 802 microcomputer relay protection tester**

Selecting the right LND 802 tester requires balancing technical performance, reliability, and total cost of ownership. A strategic, criteria-driven approach will help you find the optimal instrument for your

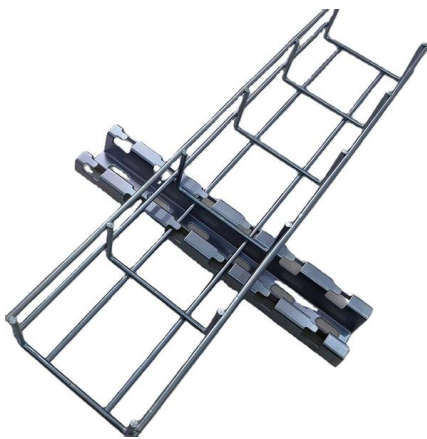
[Contact Us](#)



### **Uhv-802 Microcomputer Digital Three Phase Relay Protection Tester**

USB interface, 10-100M net mouth and serial communication interface are located on the back plate of this tester, through which you can access data, communicate data and upgrade software

[Contact Us](#)



### **Ind 802 microcomputer relay protection tester**

Find the best Ind 802 microcomputer relay protection tester with 6-phase testing, GPS sync, and IEC 61850 support. Compare top suppliers, prices, and specs. Click to discover verified options for 2026.

[Contact Us](#)

### **KDJB-802 Microcomputer Relay Protection Tester**

It can easily test and scan various protection settings, perform fault playback, store test data in real time, display vector graphics, and print reports online.

[Contact Us](#)



## **Contact Us**

---

For datasheets, pricing, or custom fiber access solutions, please visit:  
<https://frindel.es>