

TNS optical module





TNS optical module



Resources , TNS Technologies Networking Solutions

Explore datasheets, technical documents, and product resources from TNS Technologies to support telecom and infrastructure projects across UAE & GCC.

[Contact Us](#)

Optics and Transceivers , Fiber Optical Transceivers

The fiber optic transceiver modules can work in any network architecture through professional capabilities and in-house lab test. Click to get your transceiver

[Contact Us](#)



Understanding Optical Modules: Working Principles,

Explore the working principles, structures, and performance metrics of optical modules, essential components of optical fiber communication systems. Learn

[Contact Us](#)

Optical Transceivers: How to Choose the Right Module

The following article will describe the important types of optical transceivers, so you will know which optical transceiver module fits the needs of your unique network





Tns2n220 20 X 10 Gbit/s Line Service Processing Board Optical

TNS2N220 20 x 10 Gbit/s Line Service Processing Board Optical Transmission OTN OSN9800 U16/U32/U64/M24

[Contact Us](#)

Optical Transceivers: How to Choose the Right Module

Optical transceivers module, including 1G SFP, 10G SFP+, SFP28, 40G QSFP+, 100G QSFP28 and more, enable fast, reliable, scalable, and cost-effective



[Contact Us](#)



Welcome to TNS Technologies Ltd.

Now, most of data centers are still deployed 10G Ethernet, and the development of optical module is from the larger XFP optical module gradually developed into the current mainstream SFP + optical

[Contact Us](#)



Kontakt , TNS GmbH & Co. KG in Herford

TNS GmbH & co. KG Dröge Grund 10 32049
Herford Telefon: +49 5221 1212772 E-Mail:
sales@tnsystems

[Contact Us](#)



OptiX OSN 9800 TNS1UXCS Enhanced Universal Fiber Optic Cross

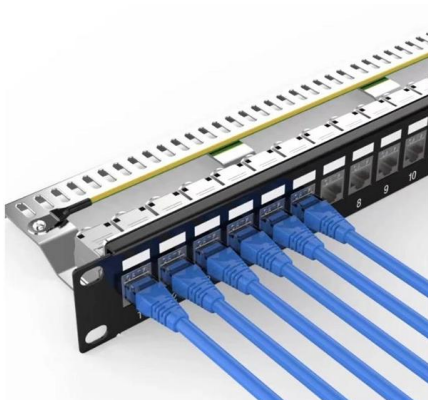
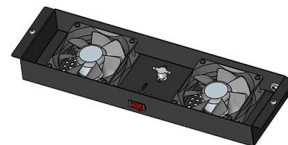
About OptiX OSN 9800 TNS1UXCS Fiber Optic Cross Connect Board The OptiX OSN 9800 TNS1UXCS belongs to the Fiber Optic Equipment category under the broader Telecommunications and

[Contact Us](#)

Optical module design resources , TI

View the TI Optical module block diagram, product recommendations, reference designs and start designing.

[Contact Us](#)



Coherent Pluggable Optical Transceivers: Performance Versus

Coherent optical transceiver evolution has been the major driver for the cost-effective increase of capacity in optical networks, enabling ever higher traffic volumes across metro, regional, long-haul

[Contact Us](#)

A Timing, Trigger, and Control System With



Picosecond Precision

The Large Hadron Collider (LHC) experiments will have their timing, trigger, and control (TTC) system upgraded as a consequence of the need for higher bandwidth and components which are obsolete.

[Contact Us](#)



What are the Internal Components of an Optical Module?

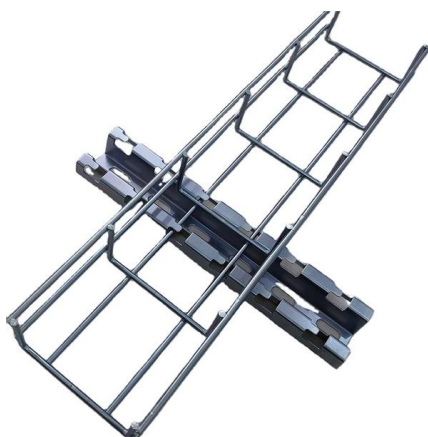
The optical module is composed of many devices, including optoelectronic devices, functional circuits, and optical interfaces. Optoelectronics

[Contact Us](#)

WDM Fiber, Wavelength Division Multiplexing , T & S

Products Splitter & WDM T& S PLC optical splitters deliver low insertion loss and stable performance, making them ideal for FTTX signal distribution and

[Contact Us](#)



Photonic neuromorphic architecture for tens-of-task lifelong learning

Here, we innovate a recon gurable lifelong-learning optical neural fi fi network (L2ONN), for highly-integrated tens-of-task machine intelligence with elaborated algorithm-hardware co-design.

[Contact Us](#)



TNS Optical Fiber Digital Transmitter, Receiver & PMMA Cable

Product description Telenet Systems offers two three-lead optoelectronic modules along with an optical fiber cable to build a TTL compatible digital fiber-optic transmission system. This set is ideally suited

[Contact Us](#)



- 50KW/100KWH
- HIGHER POWER OUTPUT IN OFF-GRID MODE
- CONVENIENT OPERATION & MAINTENANCE
- PRE-WIRED



TNS7N502 2 ports 200G/100G Line Board Price Specs, Huawei OSN

TNS7N502 2-port 200G/100G line service processing board. Apply to OSN 9800 U64, OSN 9800 U32, OSN 9800 U16 and OSN 9800 M24, it supports relay mode and line mode. The N502 is a hybrid line

[Contact Us](#)

Tier 1 Fibre Testing (MM & SM) , TNS Communications UK

At TNS Communications, we carry out Tier 1 fibre certification testing on both multimode (MM) and singlemode (SM) cabling because it provides clear, standards-aligned evidence that every

[Contact Us](#)



Design of the Readout Electronics for the TRIDENT Pathfinder

The T-REX apparatus integrates two independent and complementary systems, a photomultiplier tube (PMT) and a camera system, to measure the optical and radioactive properties

[Contact Us](#)

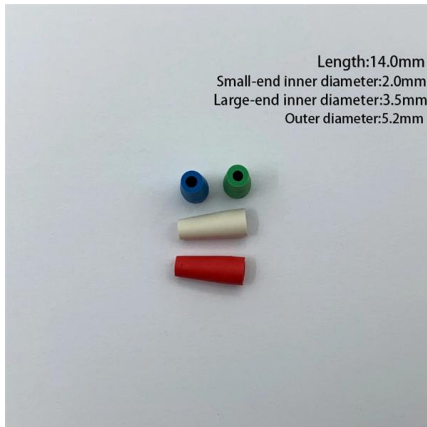




Advancements in Coherent Optical Module Technology and

As the single-channel transmission rate continues to rise, the application landscape in modern optical communication has witnessed a growing adoption of coherent optical transmission

[Contact Us](#)



The Most Comprehensive Guide Of Optical Modules

Explore the ultimate guide to optical modules. Learn types, functions, performance metrics & how to choose the right module for your fiber network.

[Contact Us](#)

Lantronix TN-SFP-10G-U-10 10GBase SFP+ Module

Transition Networks' SFP+ modules fully comply with the Multi-Sourcing Agreement (MSA). This compliance allows our SFP+ modules to be used in all other MSA compliant SFP+ platforms.

[Contact Us](#)



Coherent Optics: It's a Pluggable World

Coherent pluggable optics were responsible for all the telecom bandwidth growth in 2024, and will account for most of the future growth.

[Contact Us](#)



100G LR4 Single-Mode Optical Module

QSFP28 transceiver that supports 100G connections up to 10 km using single-mode fiber with a duplex LC UPC connector.

[Contact Us](#)



Optical Modules

Optical Modules Combining the Latest Innovations in Imaging and Optics The acceleration of product life cycles and the multiplication of vision-use

[Contact Us](#)

Contact Us

For datasheets, pricing, or custom fiber access solutions, please visit:
<https://frindel.es>