

TLZ850m08g Optical Module





TLZ850m08g Optical Module



Going 800Gbps at up to 1000km with the Marvell

Today, we have something really fun: a look at the Marvell COLORZ 800. This is a long-range 800G ZR+ optical module that comes in a standard

[Contact Us](#)

Optics and Transceivers , Fiber Optical Transceivers

FS offers a growing portfolio of optical transceivers, with speed range from 100M, 1G, 10G, 25G, 40G, 50G, 100G, 200G, 400G to 800G and beyond. The fiber optic

[Contact Us](#)



10G SFP+ SR Networking Transceiver, 10Gbase-SR Optical Module

10G SFP+ SR Networking Transceiver, 10Gbase-SR Optical Module, 10gbs Multimode 850nm 10GE Gigabit Ethernet Mini GBIC for Cisco SFP-10G-SR, Ubiquiti UF-MM-10G, Netgear, Fortinet, Mikrotik, Supermicro Visit the QSFPTek Store Amazon's Choice FREE Returns

[Contact Us](#)

10G Single-Mode Optical Module

SFP+ transceiver that supports 10G connections up to 10 km using single-mode fiber with a duplex LC UPC connector.

[Contact Us](#)





Huawei eSFP-GE-SX-MM850 Gigabit Optical Module Overview

The eSFP-GE-SX-MM850 optical module is a Huawei Gigabit multimode optical module with DOM/DDM support, which is packaged in an SFP package with a center wavelength of 850 nm.

[Contact Us](#)



Blackmagic Design SFP Optical Modul 12G-SDI

Hauptmerkmale SFP Optical Modul 12G uebehör für BMD Optical Fiber Geräte wie z.B. Fiber-Videohub-Karten, IO-Karten, Camera-Converter, Studio-Converter Garantie 2 Jahre eingeschränkte

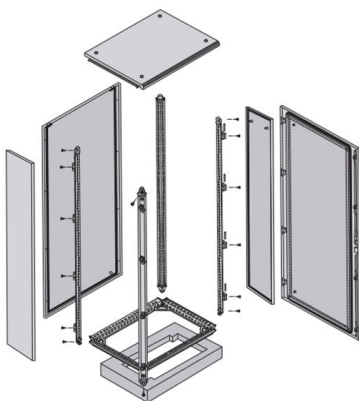
[Contact Us](#)



800G OSFP VR8 VCSEL 850nm 50m Optical

GIGALIGHT 800G OSFP VR8 is a hot-pluggable optical transceiver module designed for 800G Ethernet links in data centers. With 100G PAM4 and VCSEL technology,

[Contact Us](#)





Optical Modules for Huawei S Series Switches

A switch must use optical or copper modules that have been certified for use on Huawei switches. Non-certified optical or copper modules cannot ensure transmission reliability and may affect service

[Contact Us](#)



DCI Optical Modules , Delivering high bandwidth over

Explore DCI Modules Marvell offers a portfolio of DCI modules designed to efficiently transmit data over regional fiber networks. Using Marvell coherent DSP

[Contact Us](#)

XG-SFP-SR-MM850 10GBASE-SR SFP+ 850-nm 300-m DOM Duplex LC MMF Optical

XG-SFP-SR-MM850 10GBASE-SR SFP+ 850-nm 300-m DOM Duplex LC MMF Optical Transceiver Module Applicable to data center and campus networks, enabling cost-effective, efficient, and high

[Contact Us](#)



Optical Transceiver Modules Prices & Specifications

QSFP+ (Quad Small Form-factor Pluggable Plus) optical module: four-channel small hot plugging optical module. The QSFP + optical module supports MPO fiber

[Contact Us](#)



Optical networking ICs , TI

Build high-performance and power-efficient optical modules for wireless, data center and communication applications with our optical networking ICs. Our products simplify designs by integrating

[Contact Us](#)



MINI-GBIC-SX-MM850 1000BASE-SX SFP 850-nm 550-m DDM

MINI-GBIC-SX-MM850 Module The MINI-GBIC-SX-MM850 is aligned to IEEE 1000BASE-SR optical specifications and supports a link length of up to 550 meters over a multimode fiber (MMF) with an

[Contact Us](#)

Cisco Transceiver Modules

Cisco Transceiver Modules - Learn product details such as features and benefits, as well as hardware and software specifications.

[Contact Us](#)



Tunable SFP+ Optical Transceiver with Limiting

The module supports data rates from 9.95 Gbps to 11.3 Gbps and is provided in an SFP+, MSA-compliant package. The optical transmitter utilizes the Lumentum

[Contact Us](#)



Optical Tap Module Connectivity Solutions for Network Monitoring

AEN164, Revision 3 This Application Engineering Note discusses the different Corning Optical Communications Optical Tap module offerings and how to integrate them in the different

[Contact Us](#)



Cisco OSFP 800G Transceiver Modules Data Sheet

It is compliant with IEEE 802.3 800GBASE-VR8 and OSFP MSA module requirements with integrated heat sink. Optical signals are carried over

[Contact Us](#)

Cisco Compatible 10G SFP+ (850nm,300m,LC)

Cisco SFP-10G-SR Compatible LINK-PP LS-MM8510-S3C 10GBASE-SR SFP+ Transceiver Module (MMF, 850nm, 300m, LC, DOM) The LINK-PP LS-MM8510-S3C is an excellent choice for

[Contact Us](#)



Cisco OSFP 800G Transceiver Modules Data Sheet

The module has eight pairs of single-mode fiber with dual MPO-12 APC connectors. It is compliant with IEEE 802.3 800GBASE-DR8 and OSFP MSA module requirements with integrated heat sink. Optical

[Contact Us](#)





LOSFP-800G-SR8 LPO OSFP 8x100G SR8 PAM4 850nm MTP/MPO

LPO OSFP 8x100G SR8 PAM4 Optical Transceiver Module (850nm MTP/MPO-16 MMF 50m OM4 with FEC DDM) Product Details

[Contact Us](#)



From standard **1U** to **8U** sizes to fully customized **Non-standard** enclosures.



800G/1.6T Optical Transceiver and Co-Package Module

800G and 1.6T Optics In the 21st century, information technology has developed greatly, and the Internet, big data, and artificial intelligence have

[Contact Us](#)

Generic 10GBASE-SR SFP+ Transceiver Module 850nm 300m

Check Generic 10gbe SFP+ Transceiver module data sheet (10GBASE-SR SFP+ Module, 850nm, 300m, LC connector) and price list. 100% Compatible, Order Now!

[Contact Us](#)



Fibre optic transmitter module, 820nm, 5 MBd, ST

Fibre optic transmitter module, 820nm, 5 MBd, ST- with metal thr Photo diodes, etc. by BROADCOM - Reliable delivery favourable prices For business and private Order online at reichelt elektronik now!

[Contact Us](#)



Optical Transceivers

Optical transceivers have revolutionized data transmission, providing high-speed, long-distance, and secure data transmission capabilities. Optical transceivers

[Contact Us](#)



Fiber Optic Modules, SFP, XFP, GBIC / Optical Fibre

» Fiber Optic Modules, SFP, XFP, GBIC SFP MULTIMODE & SINGLEMODE #06382 Module, SFP 1x 1000 Mbps LC MM, 550 m, TX: 850 nm (Wave Optics,

[Contact Us](#)

DOT LASER MODULES

Low cost, smallest size diode laser module featuring metal housing with fixfocus acrylic collimating lens for excellent beam quality. Integrated driving electronics with surge current protection.

[Contact Us](#)



The Most Comprehensive Guide Of Optical Modules

Explore the ultimate guide to optical modules. Learn types, functions, performance metrics & how to choose the right module for your fiber network.

[Contact Us](#)



Contact Us

For datasheets, pricing, or custom fiber access solutions, please visit:
<https://frindel.es>