

# **T-junction at the side of the cable tray**





## T-junction at the side of the cable tray

---



### RECOMMENDED SPECIFICATIONS OF JUNCTION BOX AND CABLE TRAY

Foreword These Guidance Notes provide ABS recommendations for the design and construction of cable trays and junction boxes. These Guidance Notes are applicable to fixed and floating offshore

[Contact Us](#)

### Cable Tray Installation Guidelines

This document provides guidelines for inspecting the installation of cable trays, junction boxes, pull boxes, and terminal boxes for the Marjan Increment Program

[Contact Us](#)



### Cable Tray, Supply of Perforated Cable Tray with L.. , RefID: 141240862

The AIRPORTS AUTHORITY OF INDIA, a Public sector organization in India, has invited bids for Cable Tray, Supply of Perforated Cable Tray with L and T junction at least 6 x 10 feet x 18 gauge and not

[Contact Us](#)

### CTI-S65001\_A01

Once the horizontal line intersects the diagonal line between the maximum and minimum temperature points, draw a vertical line projected downward to determine the required gap setting. In this



### Mastering Cable Tray Installation , Step-by-Step Guide for a Seamless

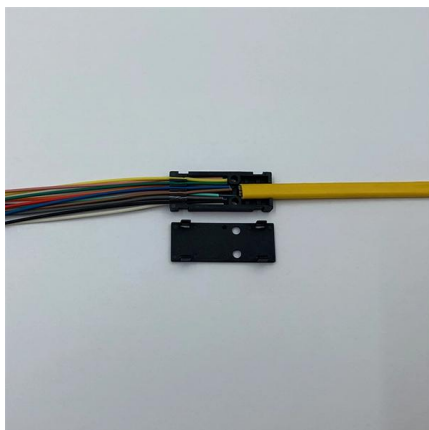
Learn how to install cable trays correctly. Get the ultimate step-by-step guide on setting up a seamless and reliable cable management system.

[Contact Us](#)

### Cable Tray T-Joint - Kim Long

The Cable Tray T-Joint is a durable and versatile accessory designed to connect cable trays at a 90-degree angle, allowing for organized and efficient routing of

[Contact Us](#)



### Boxes mounted to cable tray

In an accessible suspended ceiling of a corridor in a college dorm we are installing cable tray. We are running the feeder cables for the sleeping units on each floor. Can I mount a junction

[Contact Us](#)



## LEGRAND CABLE TRAYS TECHNICAL GUIDE

Not all cable trays are equivalent. The mechanical and electrical characteristics, tests, certifications, overall quality management, recommendations mentioned in this technical guide only apply to our

[Contact Us](#)



## Flat T-junction , BTicino International Product Catalogue

List of products and article codes in the BTicino catalogue for metal cable tray systems , zf31 wire cable trays , flat t junction

[Contact Us](#)



## Cable tray manual

Instead of large conduits, cable channel may be used very effectively to support cable drops from the cable tray run to the equipment or device being serviced and is ideal for cable tray runs involving a

[Contact Us](#)



## Guide to cable support systems

Side heights of 35, 60, 85 and 110 mm are available, through to special cable tray systems with a 30% perforation amount and large insertion and exit points. Depending on the system, screwable or

[Contact Us](#)



## Cable Tray Trunking & Ladder Installation Method for

Resources For Electrical & Electronic Engineers  
Cable Tray Trunking & Ladder Installation Method for Projects The purpose of this article is to define the

[Contact Us](#)



## Flat T-junction , BTicino International Product Catalogue

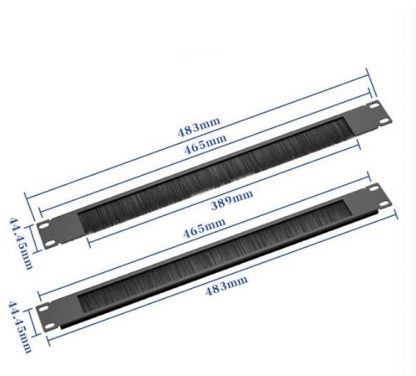
Try changing the applied filters. Here you will find the list of your Material Lists. Create or select an existing list and add products from the catalogue!

[Contact Us](#)

## A Guide to Cable Tray Accessories and Their Functions

Explore a detailed guide to cable tray accessories and understand their uses in ensuring safety, stability, and efficiency in electrical system

[Contact Us](#)



## Cable Tray Technical Guide A practical guide to product selection and

In designing supports for a cable tray system, consideration should be given to the loads associated with future cable additions and any additional loading that may be applied to the cable tray system (e.g.,

[Contact Us](#)



## Cable Tray Installation Guidelines

T80-ZA-E-2204072\_installation of cable tray,.pdf  
- Free download as PDF File (.pdf), Text File (.txt)  
or read online for free. This document provides  
guidelines for

[Contact Us](#)



## Metatray T-joint , PEMSA

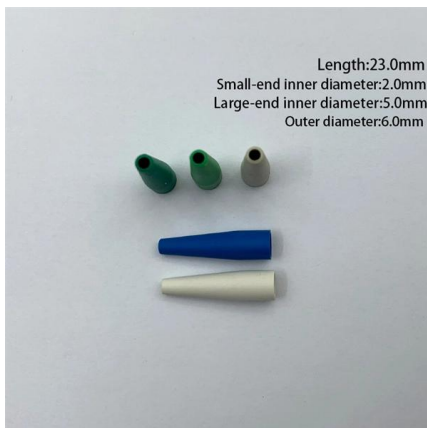
Fitting for the construction of T-joints or  
crossovers of Metatray® insulating trays for the  
conduction of electrical and telecommunication  
cables. Made of PVC-based

[Contact Us](#)

## Guide to cable support systems

Widths of 8 and 15 millimetres enable flexible  
adjustment to different cable trays, cable ladders  
and cable volumes. With the help of the  
matching SBV tightening strap locks and 576  
spring chuck, the

[Contact Us](#)



## Cable Tray Technical Guide A practical guide to product selection and

Cable Tray Technical Guide A practical guide to  
product selection and installation This guide for  
engineers and installers has been developed by  
ABB as a practical reference regarding cable  
tray

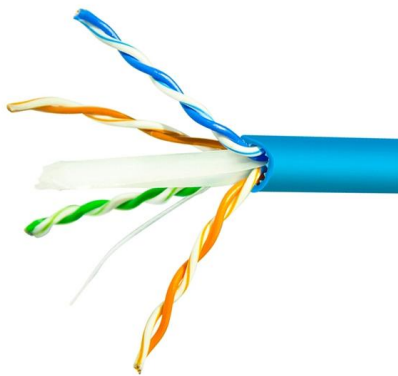
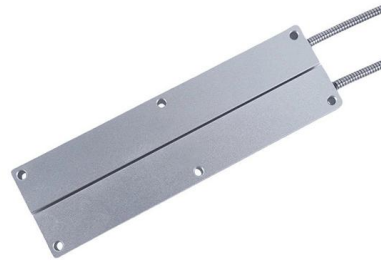
[Contact Us](#)



### **How to make a T-junction between two KRA/KRB cable trays?**

The T-branch bracket TKU is pushed inside the cable tray and attached with the included screw set. KRA/KRB cable tray with the bracket TKU attached is then placed on another cable

[Contact Us](#)



### **Fitting T Connectors: The Complete Guide to Effective**

T connectors are essential components in modern cable, conduit, and piping systems. They enable clean, efficient branching without disrupting the

[Contact Us](#)

## **Contact Us**

---

For datasheets, pricing, or custom fiber access solutions, please visit:  
<https://frindel.es>