





## Switch Port Aggregation Technology

---



### Ethernet Switch Port Aggregation: Unlocking the Dual Code of

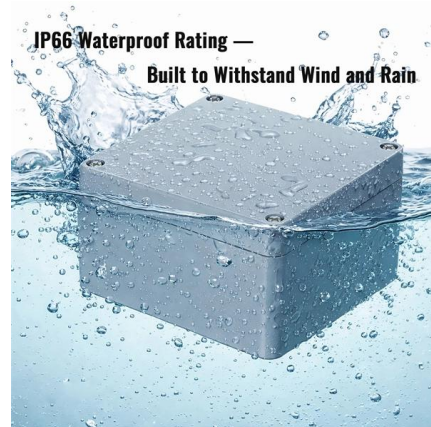
Ethernet switch port aggregation (Link Aggregation) technology is precisely the core weapon to crack this challenge. Port aggregation achieves linear bandwidth stacking by bundling multiple physical

[Contact Us](#)

### What is Link Aggregation (LAG) in Networking?

Link aggregation is a technique used in networking to bundle multiple physical ports on a network device to operate as a single link. The aggregated link acts as a

[Contact Us](#)



### How To Set Up Switch Link Aggregation

The value to Link Aggregation is that the two switches will treat multiple ports configured in a Link Aggregate Group (LAG) as a single trunk, providing

[Contact Us](#)



### Port Aggregation Configurations

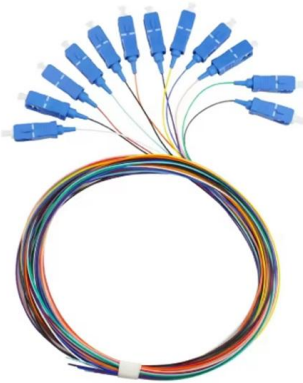
Port aggregation is useful for implementing load balancing and provides a redundant link backup. To allow port aggregation, the basic configuration on all the ports must be consistent. The following list



### **What is an Aggregation Switch? , Features and Practical Benefits**

Conclusion: What is an aggregation switch? In network architecture, they are now extremely important. The technology behind these switches is link aggregation which is the process

[Contact Us](#)



### **Mastering Fortinet FortiSwitch for Network Professionals**

VLANs & Port Management: Master the creation and configuration of VLANs and switch ports to segregate traffic and enhance network security and organization. Essential Switching Features:

[Contact Us](#)



### **Understanding Ethernet Port Aggregation: Benefits,**

Ethernet port aggregation, also known as link aggregation, is a networking technique that combines multiple physical network ports into a single

[Contact Us](#)

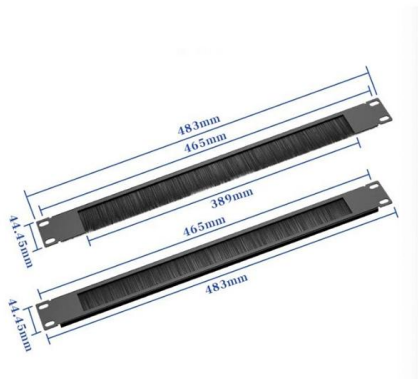




## Port Aggregation Configurations

Port aggregation allows you to group multiple physical ports into one unit. Port aggregation is useful for implementing load balancing and provides a redundant link backup. To allow port aggregation, the

[Contact Us](#)



## Understanding Ethernet Port Aggregation: Benefits,

In Ethernet port aggregation, multiple physical ports on a switch are grouped together to form a single logical port. This logical port acts as a single

[Contact Us](#)

## Unlock Speed with Ethernet Port Aggregation Guide

Ethernet Port Aggregation bonds multiple Ethernet ports into one logical link for more speed and redundancy using protocols like LACP.

[Contact Us](#)



## Ethernet Link Aggregation , Junos OS , Juniper Networks

Learn about Ethernet link aggregation, also known as link aggregation group (LAG), port trunking, or port bonding, is a technology that combines multiple Ethernet links into a single logical link. Ethernet

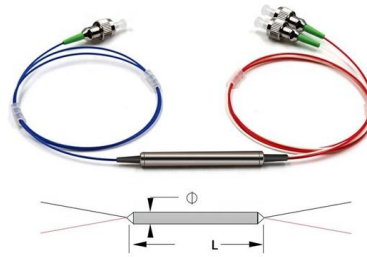
[Contact Us](#)



## Understanding Switch Aggregation: A Comprehensive

: Unifi Switch Aggregation Review: This video review examines the Unifi switch aggregation, a new eight port ten gb sfp+ switch from

[Contact Us](#)



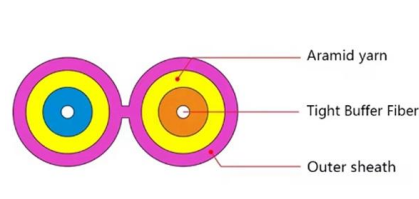
## Link Aggregation: What is it, and How Does it Work?

A fundamental for effective switch management, if you have a switch with a whole lot of Gigabit Ethernet ports, you can connect all of them to another

[Contact Us](#)

## Aggregated Ethernet Interfaces Overview

You can configure LAGs to connect a QFX Series product or an EX4600 switch to other switches, like aggregation switches, servers, or routers. This example describes how to configure LAGs to connect



[Contact Us](#)



## Everything You Need to Know About Aggregation Switch

Port Density: Aggregation switches should have adequate port density to accommodate high-traffic volumes from different access switches.  
Bandwidth:

[Contact Us](#)



## Cisco Switch Port Aggregation

The etherchannel (also called port channel sometimes) technology allows to combine several physical switch ports (from 2 to 8 total) into one logical port. This

[Contact Us](#)



## What Are Link Aggregation, LAG, and LACP?

What Is LAG and How Does It Work? Link Aggregation Group (LAG) is the practical implementation of link aggregation, where multiple physical ports are combined into a single logical

[Contact Us](#)

## What is Port Aggregation?

Understanding Port Aggregation: A Deeper Dive  
Port aggregation, also known as link aggregation, EtherChannel, or teaming, has become a cornerstone of modern networking. It

[Contact Us](#)



## What is WAN Aggregation/WAN Aggregator? , Fortinet

The term "multilink aggregation" can also be used as it conveys roughly the same meaning - combining an ethernet port with another to balance competing

[Contact Us](#)



## Ethernet Switch Port Aggregation: Unlocking the Dual Code of

Ethernet switch port aggregation (Link Aggregation) technology is precisely the core weapon to crack this challenge. Port Aggregation: The "Bandwidth Multiplier" and "Redundancy Shield" for Industrial

[Contact Us](#)



## EtherChannel in Computer Network

1. Port Aggregation Protocol (PAgP) - The Cisco proprietary protocol Port Aggregation Protocol (PAgP) is an EtherChannel technology. It's a type of data/traffic load balancing that involves

[Contact Us](#)

## What is Port Aggregation?

Port aggregation provides a multi-lane highway. That means if there's an accident in one lane, you can redirect traffic to other lanes. So, bringing the

[Contact Us](#)



## Switch port & link aggregation on 802.3ad standard

Continuing our series of blog posts on the most representative technologies to consider when selecting switches, we will now address port & link

[Contact Us](#)



## Port Aggregation: Boosting Throughput and Redundancy in Enterprise

Final Thoughts: Is Port Aggregation Right for You? Port aggregation offers significant benefits for enterprise networks, including higher throughput, improved redundancy, and efficient

[Contact Us](#)



## What Are Link Aggregation, LAG, and LACP?

If you have a Gigabit switch with multiple Gigabit Ethernet ports, you can connect them to another device with numerous ports and use link aggregation to balance traffic across these links,

[Contact Us](#)

## Link Aggregation Control Protocol

LACP increases network capacity by aggregating multiple physical links into a single logical channel, providing higher bandwidth, efficient traffic

[Contact Us](#)



## Thunder-link

Thunder-link - Huawei S6730-H series 10GE switches are next-generation enterprise-class core and aggregation switches that provide 10GE downlink optical ports and 100GE

[Contact Us](#)



## Understanding Ethernet Link Aggregation , OrhanErgun Blog

This technology can be used on any network switch, including load balancing switches, to improve the overall performance of the network. By using Ethernet Link Aggregation, businesses can

[Contact Us](#)



## What are link aggregation and LACP and how can I use

Unmanaged switches do not support link aggregation. What are the benefits of link aggregation? Link aggregation offers the following benefits:

[Contact Us](#)

## Contact Us

---

For datasheets, pricing, or custom fiber access solutions, please visit:  
<https://frindel.es>