

Swedish export price of 1MWh of photovoltaic integration equipment CIF price





Swedish export price of 1MWh of photovoltaic integration equipment



Photovoltaic Price Index

PRICE INDEX , April 2026 Photovoltaic Price Index
Every month we publish a current price index on the development of wholesale prices of solar modules. In doing so, we differentiate between the main

[Contact Us](#)

Global Market Outlook For Solar Power 2023

Welcome to the Global Market Outlook for Solar Power 2023-2027. Solar is on the fast track. In 2022, the world installed 239 GW of new solar, finally surpassing the TW-scale. That's 45% more solar



[Contact Us](#)



Executive summary - Solar PV Global Supply Chains

High commodity prices and supply chain bottlenecks led to an increase of around 20% in solar panel prices over the last year. These challenges have resulted in

[Contact Us](#)

Presentation

Fossil fuel consumption is subsidized due to end-user prices being high enough to cover the market value of the fuel. During an energy crisis, governments prioritize shielding consumers from price



The price difference for typical turnkey PV systems

The price difference for typical turnkey PV systems between different Swedish installation companies (excluding VAT). Note that these are the prices that the

[Contact Us](#)



Photovoltaics Report

Due to the coronavirus crisis and the associated disruptions to supply and trade chains, market prices rose noticeably in 2022 and at times some products were not available in sufficient quantities.

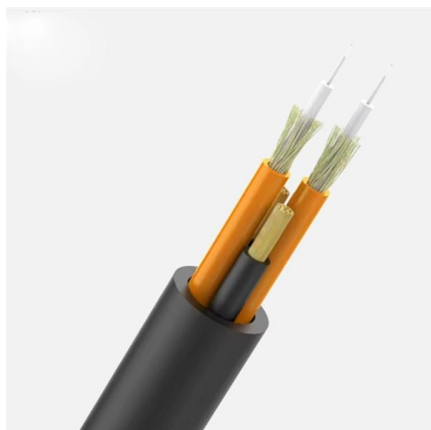
[Contact Us](#)



Special Report

Special thanks go to the IEA Photovoltaic Power Systems Programme (PVPS) for their valuable contributions and review comments especially Krysta Dummit, Rolf Frischknecht, Arnulf Jaeger

[Contact Us](#)





How much is the price of Swedish exported photovoltaic panels

Low-Cost Photovoltaic Modules: Average price of EURO.060/Wp, a decrease of 7.7% compared to the previous month. These figures underscore the significant pressures in the photovoltaic market, as

[Contact Us](#)



Global PV supply Chains: Costs and energy savings, GHG emissions

Using experience curve methods, we made a projection of price, cumulative energy demand (CED) and greenhouse gas (GHG) emissions of solar PV modules from 2022 to 2050 under

[Contact Us](#)

Europe: solar PPA price forecast by country, Statista

It is forecast that the price for solar PV power purchase agreements between 2025 and 2034 in Europe will range from an average of roughly ***

[Contact Us](#)



The Global Solar Photovoltaic Supply Chain and Bottom-UP Cost

Variable labor (\$/hr) and electricity rates (\$/kWh) are currently believed to be the greatest source of differences in regional PV manufacturing costs. Variations are also expected for delivery of

[Contact Us](#)

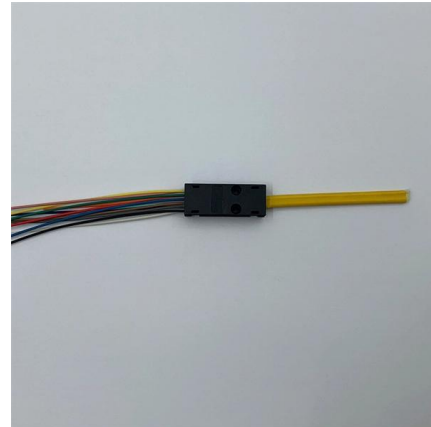
Solar Energy Trend, News, Database,



Market Analysis, Chart

Procurement Resource offers the latest solar energy prices, a graphing tool to track and compare prices over time and across countries, and customizable price data.

[Contact Us](#)



UK NSR 2007

The module prices in Sweden followed the world market trend with falling prices in 2010. The typical price per watt for larger order did not change much in 2010 but the price for a single module made a

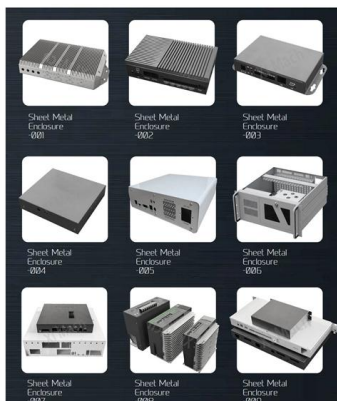
[Contact Us](#)



The price difference for typical turnkey PV systems

The report describe the Swedish PV market and addresses how much that has been installed, price trends, production, jobs, support systems, industry and research

[Contact Us](#)



Solar PV Global Supply Chains - Analysis

Solar PV is a crucial pillar of clean energy transitions worldwide, underpinning efforts to reach international energy and climate goals. Over the last

[Contact Us](#)



Snapshot of photovoltaics - February 2024

The number of countries installing 1 GWp/year or more has increased to 35. After the increases in hardware costs for solar photovoltaic systems and battery storage in 2022, prices in both markets

[Contact Us](#)



U.S. Energy Information Administration

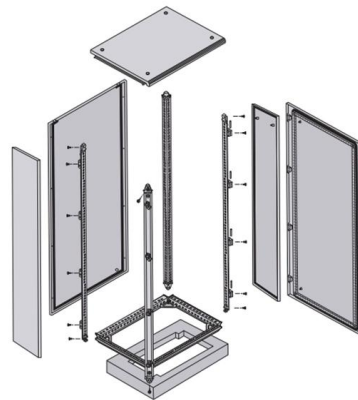
Source and disposition of photovoltaic module shipments U.S. shipments and sales to the original equipment manufacturer (OEM) for resale and export shipments are not published for certain months

[Contact Us](#)

National Survey Report of PV Power Applications in Sweden

Consequently, the price survey now stands as the sole source for Swedish PV system prices. Historically, installation companies tended to estimate typical system prices lower than the average

[Contact Us](#)



Global Solar Tariffs and Supply Chain: Report

The report "Reconfiguring Globalisation: A Review of Tariffs, Industrial Policies, and the Global Solar PV Supply Chain" by The Oxford Institute For

[Contact Us](#)

Sweden Solar Energy Market Size, Share &



Trends 2031

The Sweden Solar Energy Market size worth 6.63 gigawatt in 2026 is growing at a CAGR of 10.56% to reach 10.99 gigawatt by 2031. Exeger Sweden

[Contact Us](#)



Solar Photovoltaic System Cost Benchmarks

The U.S. Department of Energy's solar office and its national laboratory partners analyze cost data for U.S. solar photovoltaic systems to develop cost benchmarks to measure progress towards goals and

[Contact Us](#)

Contact Us

For datasheets, pricing, or custom fiber access solutions, please visit:
<https://frindel.es>



Photovoltaic Price Index

Every month we publish a current price index on the development of wholesale prices of solar modules. In doing so, we differentiate between the main technologies available on the market.

[Contact Us](#)

