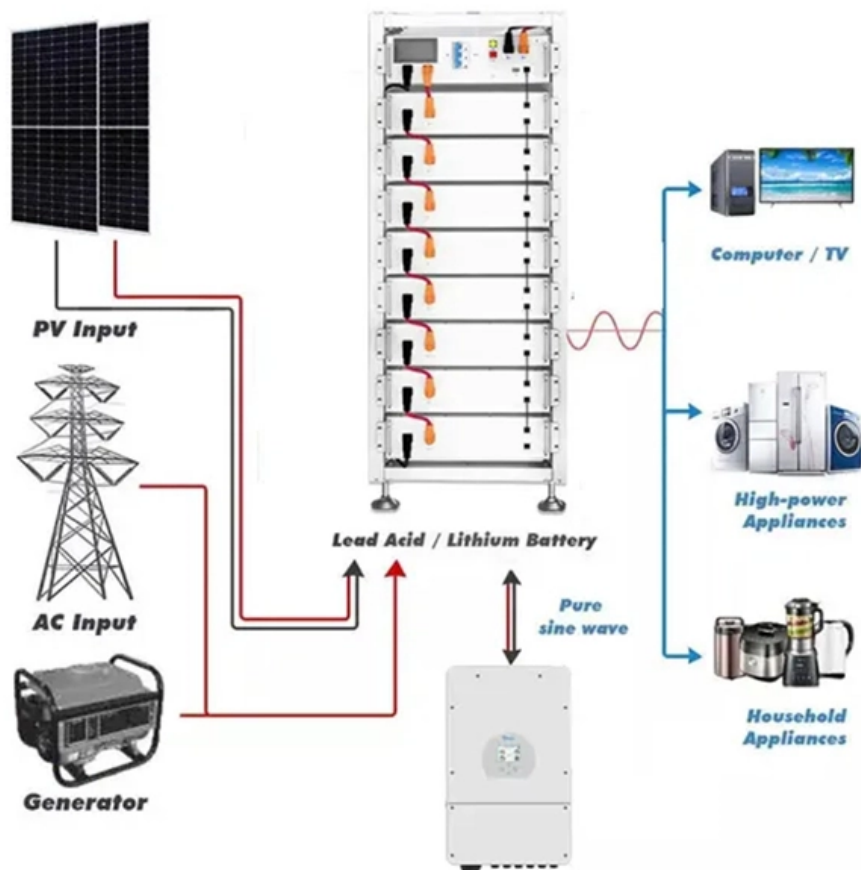


# Swedish Dual-Core Pigtail Factory





## Swedish Dual-Core Pigtail Factory

---



### 13 Top Semiconductor Startups and Companies in

This article showcases our top picks for the best Sweden-based Semiconductor companies. These startups and companies are taking a variety of

[Contact Us](#)

### Fiber Splicing Pigtails , Splice on Pigtails , Fiber Optic

Fiber Splicing Pigtails: High-Quality Fiber Solutions for Splicing Applications iFiber Optix fiber splicing pigtails are factory-terminated and polished in controlled

[Contact Us](#)



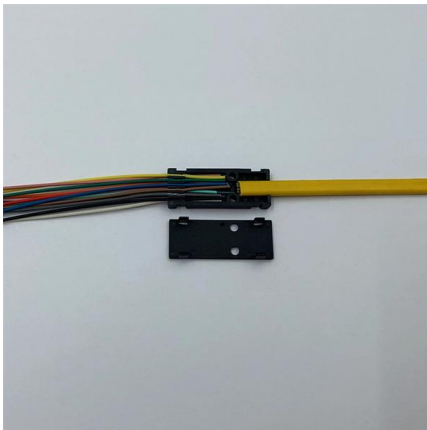
### Top 15: Swedish electronics manufacturing - the

Evertiq's overview of Sweden's 15 largest EMS companies shows that 26 factories form the backbone of the country's electronics production. At the

[Contact Us](#)

### 56 Top Manufacturing Companies in Sweden · May

The core goal of the company is to reduce the amount of plastic waste by developing and distributing wooden disposable cutlery for food orientated



### **Fiber Optic Pigtails , SC, LC, ST Single Mode & Multimode**

Find high-quality fiber optic pigtails for reliable network termination. We offer a full range of single mode and multimode pigtails with SC, LC, ST, and FC connectors.

[Contact Us](#)

### **List of companies of Sweden**

Sweden is a Scandinavian country in Northern Europe and the third-largest country in the European Union by area. It is also a member of the United Nations, the Nordic Council, Council of Europe, the World Trade Organization and the Organisation for Economic Co-operation and Development (OECD). Sweden maintains a Nordic social welfare system that provides universal health care and tertiary education for its citizens. It has the

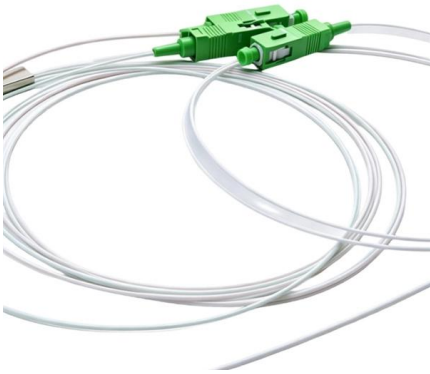
[Contact Us](#)



### **duagon**

Powerful modular computer with Intel Core processors, built for rail network applications offering higher internet speeds, durability, seamless wireless

[Contact Us](#)



### The Complete Guide to Pigtail Fibers: Simplifying

Pigtail fibers are the quiet enablers of modern connectivity, bridging devices to networks with precision and reliability. From 5G cell towers to AI data

[Contact Us](#)



### Sweden Dual core CPU Modules Market Industry Report: What

What innovations or industries drive Sweden's CPU module growth? With industries like autonomous transport and robotics flourishing, dual-core modules enable responsive and efficient

[Contact Us](#)

### Automotive Wiring Pigtails: Complete Guide to Connector Repairs

Discover how automotive wiring pigtails simplify electrical repairs. Learn what pigtails are, when to use them, and how to install sealed connectors for OEM-style performance.

[Contact Us](#)





## Top Semiconductor Companies In Sweden

Browse 24 Semiconductor companies in Sweden, including 22 with websites, 20 with employee estimates, 21 with contact signals. Featured companies include Zeropoint Technologies Ab,

[Contact Us](#)

## List of companies of Sweden

List of companies of Sweden Location of Sweden Sweden is a Scandinavian country in Northern Europe and the third-largest country in the European Union by area. It

[Contact Us](#)



## LEAX Group -- solutions for highly specialized markets

In addition to our domestic factories in Falköping, Tidaholm, Köping, Arvika and Falun, we also have manufacturing facilities in Latvia,

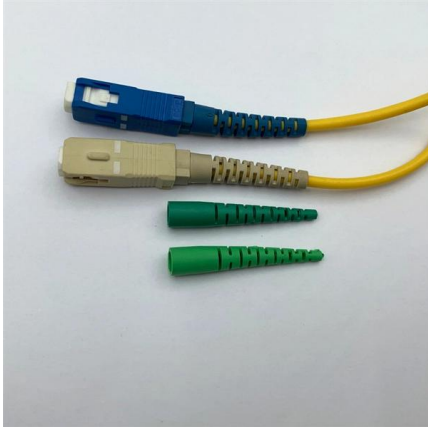
[Contact Us](#)

## X Shore's Swedish Boat Factory: Precision Engineering and Design.

Discover X Shore's 14,000 m2 state-of-the-art boat factory in Nyköping, where cutting-edge technology and craftsmanship drives innovation.

[Contact Us](#)





### Fiber Pigtails , Leviton Network Solutions

Leviton fiber optic pigtail kits are for mechanical or fusion splicing applications, and are available in a range of multimode and single-mode fibers.

[Contact Us](#)

### NKT upgrades Swedish cable accessories factory to

Danish power cable manufacturer and installation firm NKT has enhanced the capacity and technical capabilities of its cable accessories factory

[Contact Us](#)



### Fiber Optic Pigtails.cdr

Fiber Optic Pigtails - Single Mode Single Mode Pigtails - OS1/OS2 utilised in terminating fiber optic cables via fusion splicing. Iveonet™ offers a wide range of pigtails, designed and manufactured for

[Contact Us](#)

### Chinese group Putailai to build Europe's largest anode

Shanghai-listed Putailai is building Europe's largest factory for manufacturing anodes, a crucial part of the batteries that go into electric vehicles,

[Contact Us](#)





## What is a Fiber Optic Pigtail, and What Is It Used For?

A fiber optic pigtail is a type of fiber optic cable with only one end that has a factory-terminated connector and the other end exposed as bare fiber. A

[Contact Us](#)

## Fiber Optic Pigtails Models and Selection Guide

For example, according to the fiber type, they can be divided into single-mode fiber optic pigtails and multi-mode fiber optic pigtails; according to

[Contact Us](#)



### An Extensive Library of Self-Developed Products



## Top 70 Semiconductor Companies in Sweden (2026)

Overall, the combination of government support, a skilled workforce, and a focus on sustainable technology positions Sweden as an attractive location for

[Contact Us](#)

## Startpage (eng)

We manufacture our own top quality lasercut stencils in Sweden, Finland, Denmark and Poland. Our material range offers top quality at competitive prices for the best process results.

[Contact Us](#)





## Opti-Core Fiber Optic Patch Cords and Pigtails

Fiber optic patch cords and pigtails provide interconnect and cross-connect of applications over installations in entrance facilities, telecommunications rooms, data centers and at the desk. Patch

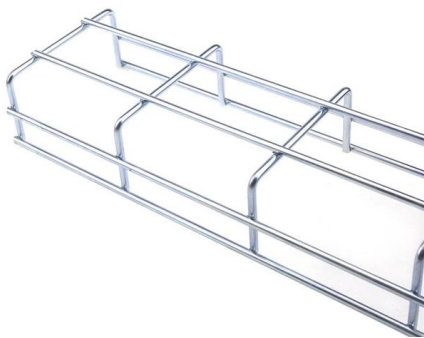
[Contact Us](#)



## Core Patch Cords and Pigtails Ordering Guide

Core Patch Cords and Pigtails Cable assemblies are a basic component for all network infrastructure projects. Corning's preterminated assemblies use only high-quality optical fibers to ensure reliable

[Contact Us](#)



## Opti-Core Fiber Optic Patch Cords and Pigtails

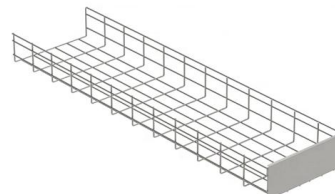
The Opti-Core® patch cords support network applications in main, horizontal and equipment distribution areas and are available in riser (OFNR) and low smoke zero halogen (LSZH) rated jacket materials.

[Contact Us](#)

## Pigtail Fiber: Essential Component in Modern Fiber Optic Connectivity

A pigtail fiber is a single, short-length optical fiber cable pre-terminated with a factory-polished connector on one end and exposed bare fiber on the other. The connectorized end

[Contact Us](#)





## PTL Cancels Anode Factory in Sweden

PTL Cancels Anode Factory in Sweden Chinese company Shanghai Putailai (PTL) will not proceed with its plans to build an anode factory in Timrå,

[Contact Us](#)

## Sweden's GIGA ONE: 1.2 GW Solar Panel Factory

Nordcell is planning to build a sustainable solar panel factory (GIGA ONE) in Sweden. The 1.2 GW facility will be operational by 2025, producing 2.5 million

[Contact Us](#)



## Contact Us

---

For datasheets, pricing, or custom fiber access solutions, please visit:  
<https://frindel.es>