

Structural Features of Network Cabinets





Structural Features of Network Cabinets



Network Cabinets in Modern IT Infrastructure

A well-structured network cabinet allows you to well organize your equipment to minimize clutter and make optimum use of the space. Server,

[Contact Us](#)

What Is a Network Cabinet and Why Does Your IT Infrastructure Need

A Network Cabinet is a metal enclosure designed to house networking equipment such as switches, routers, patch panels, servers, and power distribution units. It follows standardized rack

[Contact Us](#)



Network Cabinet Cabling: Guide & Documentation Tips

Network cabinet cabling describes the structured arrangement and connection of all network components within a server cabinet. The aim is to create a functional, maintainable and secure

[Contact Us](#)

Server Racks & Network Cabinets: The 2026 Infrastructure Guide

3. Key Features of a High-Performance Weunion Cabinet What separates a budget-grade cabinet from a professional Weunion solution? It comes down to five pillars of engineering



What Are the Key Components Inside a Network Cabinet?

To ensure the smooth operation of your network infrastructure, it is essential to understand the key components inside a network cabinet. In this article, we will delve into these components to

[Contact Us](#)



What are the primary functions of a network cabinet in an IT

Expandable Space: Network cabinets are typically designed with enough space to allow for future expansion. Whether it's adding additional servers or network switches, a network cabinet

[Contact Us](#)



Understanding Telecom Racks and Cabinets: The

Learn everything about telecom racks and cabinets--types, functions, and applications in modern communication systems. Discover how to choose the

[Contact Us](#)

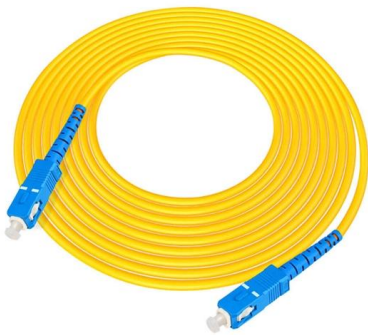




What Are the Key Components Inside a Network Cabinet?

Network cabinets feature strategically placed cable entry and exit points to facilitate cable routing to and from the cabinet. These entry points are equipped with cable glands or brush strips to

[Contact Us](#)



What is a Network Cabinet (Rack) and Why You Need

Discover what a network cabinet (rack) is, why it's essential and how to choose the right type (wall mount vs floor mounted closet).

[Contact Us](#)

How do network cabinets work?

Network cabinets, also known as server cabinets or network enclosures, are designed to provide a secure and organized housing for

[Contact Us](#)



A General Overview Of Network Cabinets And Their

Are Their Cons Of Using Network Cabinets? Innovation is one of the best features of a network cabinet manufacturer. An experienced individual

[Contact Us](#)



Exploring the Role of Network Cabinets in Modern IT

Network cabinets are the backbone of modern IT infrastructure -- organizing routers, switches, servers and wiring into secure, cool, manageable

[Contact Us](#)



Advantages of Network Cabinets: Essential Features for Modern IT

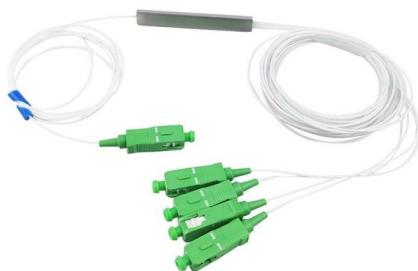
Explore the essential features and benefits of network cabinets in modern IT infrastructure. Learn how E-Abel's customizable solutions enhance organization, security, and efficiency for your network

[Contact Us](#)

Network Cabinet Cabling: Guide & Documentation Tips

Conclusion: Structured network cabinet cabling as the basis of every IT A well-thought-out Cabling in the network cabinet brings order, security and efficiency to the IT infrastructure. With clear planning,

[Contact Us](#)



Data Center Racks, Cabinets, and Cages: An In-Depth Guide

Cabinets in Data Centers Data center cabinets are enclosed structures designed to house and organize servers and

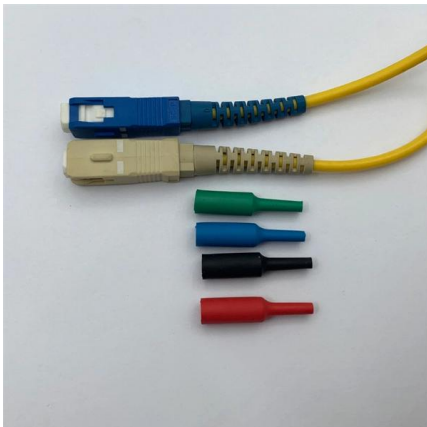
[Contact Us](#)



What is A Network Cabinet and how to choose it

1. What is a Network Cabinet? A network cabinet houses and organizes critical IT systems, which can configure to support a wide range of

[Contact Us](#)



What Is the Network Cabinet Systems, and How Do

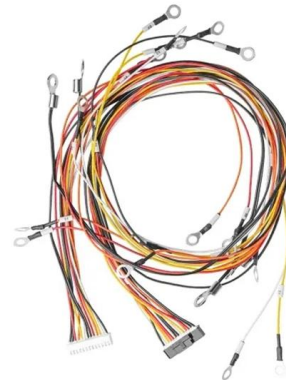
Network cabinet systems, also known as server cabinets or racks, accommodate the technical components and equipment used for a server. These components may

[Contact Us](#)

Network Cabinet: Complete Guide for the Best Choice

Choosing the Network Cabinet is crucial to ensure the organization, safety, and efficiency of IT equipment. A well-selected cabinet not only optimizes

[Contact Us](#)



Major Hardware Components in a Network Cabinet

It usually features a slot for each cable, allowing you to direct it from a installed device towards its intended location. Contact us for premium network cabinet

[Contact Us](#)





Types of Racks in Data Centers: Rack, Shelf, Cabinet,

Choosing the right data center network rack can be challenging with options like shelves, drawers, cabinets, racks, cages, and suites. Often not many

[Contact Us](#)



Network Cabinet Design: A Guide for Engineers and

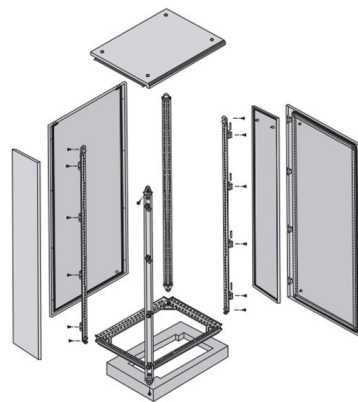
In today's interconnected world, the network closet has become a critical component in both sprawling data centers and compact enterprise

[Contact Us](#)

Network Rack Cabinets A Guide for IT Infrastructure

Network rack cabinets are essential for organizing and securing IT equipment in modern infrastructure. Their structured design streamlines cable

[Contact Us](#)



Network cabinets and accessories

COMPANY SOMI NETWORKS - is an European distributor and manufacturer of active fiber optic equipment, passive fiber optic network components, 19" cabinets and accessories.

[Contact Us](#)

The Ultimate Guide to Network Cabinets:



Everything You Need to Know

So, the network cabinets not only provide organization, protection, and cooling, are space efficient, and allow more efficient scaling up and expansion, but are necessary features for

[Contact Us](#)



The Ultimate Guide to Data Cabinets: Securing Your

An organized structure, data security, and network rack configuration all contribute to the optimal performance of a data center. A data cabinet is one of

[Contact Us](#)

What Defines a Modern Network Cabinet in 2025? The Ultimate

In 2025, a network cabinet is a standardized, enclosed structure (typically 19-inch wide) designed to securely house, organize, protect, power, and cool active and passive network equipment such as

[Contact Us](#)



Network Rack Cabinets A Guide for IT Infrastructure

This guide explores their features, types, uses, and best practices for effective deployment. Key Features of Network Rack Cabinets The functionality of

[Contact Us](#)





A Beginners' Guide to Server Rack and Cabinet

Security: The network cabinet is usually made of metal, and the door often features a locking mechanism, helping to reduce incidents and protect data on the server.

[Contact Us](#)



Contact Us

For datasheets, pricing, or custom fiber access solutions, please visit:
<https://frindel.es>