

Standard Table of Optical Cable Structure Dimensions





Standard Table of Optical Cable Structure Dimensions



THE BASICS OF FIBER OPTIC CABLE a Tutorial

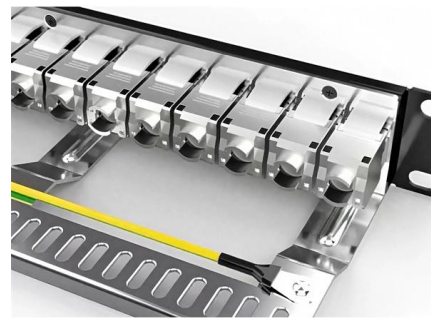
While fiber optic cable itself is cheaper than an equivalent length of copper cable, fiber optic cable connectors and the equipment needed to install them are more

[Contact Us](#)

Fiber Optic Cable Buying Guide , Eaton

Fiber Optic Cable Buying Guide Choosing single-mode or multimode fiber for high-performance data networking and telecommunications Fast data transmission,

[Contact Us](#)



Optical Fibre Cable Technical Specification

3.4 Dimensions and Descriptions The standard optical cable structure is shown in the following table, other structure and fibre count are also available according to customer requirements.

[Contact Us](#)

FIBRE OPTIC CABLES GENERAL SPECIFICATIONS

FIBRE OPTIC CABLES GENERAL SPECIFICATIONS *

All attenuation values are valid for cabled fibres

** Zero Water Peak

[Contact Us](#)



Fibre Optic Cable Catalogue

Fibre Types & Wavelengths Briticom® cables are available in many specifications, for both indoor and outdoor use. We have a wide range of indoor and outdoor fibre optic distribution, patching and

[Contact Us](#)



Fiber Optic Cable Size Chart: Complete Guide

Fiber optic cable size chart with complete guide to core, cladding, and jacket dimensions, types, and specifications for networking and installation use.

[Contact Us](#)



Transmission Issue: Draft 2005

For optical attenuation measurements, the optical cable sample shall be prepared according to Table 2. The length of cable between the current injection points shall be at least 10 m.

[Contact Us](#)

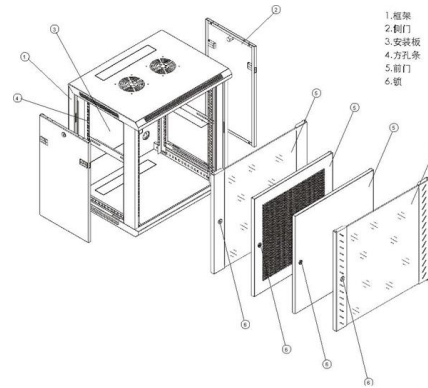




UNDERSTANDING FIBER SPECIFICATIONS

Coractive Product Code Options A quick look at an optical fiber product code will give you some information on critical parameters. Coractive's optical fiber product

[Contact Us](#)



Optical Fibre Cable Technical Specification

3.4 Dimensions and Descriptions The standard structure of GYTS cable is shown in the following table, other structure and fibre count are also available according to customer requirements.

[Contact Us](#)

ITU-T Rec. G.978 (12/2006) Characteristics of optical fibre submarine

It covers transmission characteristics of optical fibre submarine cables, optical fibres used in submarine cables, including mechanical characteristics and resistance to the environment and other electrical

[Contact Us](#)



Handbook Optical fibres, cables and systems

The optical fibres are specified in ITU-T with reference to the geometrical, optical, transmission and mechanical attributes listed in Table 1-1. However, as shown in the same table, for some attributes

[Contact Us](#)



TECHNICAL SPECIFICATION



For optical fibres/ Fibre Optic cables, at least three reels/ drums of each type of fibre/cable proposed shall be offered for selection. For FO cable installation hardware & fittings at least ten (10) samples

[Contact Us](#)



Ficha_AR-1NSU-ADSS-PE-50M-xxF-G652D

This specification covers the design requirements and performance standard for the supply of optical fibre cable in the industry. It also includes ARTIC premium designed cable with optical, mechanical

[Contact Us](#)



Fiber Sizes, Lengths and Diameters

Your Source for Fiber Optics, Fiber Optic Drawing, Fiber Optic Lighting, Clean Room Packaging and Illumination Products since 1977. Manufacturing Standard and Custom fiber optics for Industrial,

[Contact Us](#)



Fiber optic cable types and selection guide

Differences in the shapes of optical fiber cables Fiber optic cables are divided into several types based on their appearance and

[Contact Us](#)



The FOA Reference For Fiber Optics

Fiber Optic Cable Cable Types: (L>R): Zipcord, Distribution, Loose Tube, Breakout Cable provides protection for the optical fiber or fibers within it appropriate for the

[Contact Us](#)



Fiber Optic Cables

Armoured and Flame retardant optical fibre cable, AICI - code F104 NEK TS 606:2016 (available also in MUD protected version).

[Contact Us](#)



FibreFab-Fibre-Optic-Cable-Catalogue

The Optronics fibre optic cable range includes simplex, duplex and flat ribbon patchcords, tight buffered, single loose tube and multi-loose tube distribution cables for internal and external applications as

[Contact Us](#)



Fiber-optic cable

A fiber-optic cable, also known as an optical-fiber cable, is an assembly similar to an electrical cable but containing one or more optical fibers that are used to carry

[Contact Us](#)





Specifications For Fiber Optic Networks

Per current standards and specs, maximum supportable distances and attenuation for optical fiber applications by fiber type.

[Contact Us](#)



Product Catalog



Fiber optic cable Catalog

Approximate dimensions of 3x2 millimeters. Equipped with two non-metallic FRP elements to protect optical fibers. Direct connector installation possible. Has a desirable bending radius and high tensile

[Contact Us](#)

Comprehensive Explanation of National Standard Specifications for

This article will introduce the national standard specifications for optical cable dimensions, including parameters such as cable diameter, outer diameter, and core count, while

[Contact Us](#)



FIBER OPTIC STANDARDS

All the cables are Telecommunications grade fiber optic, all dielectric, self-supporting cables, designed for aerial installation on electric transmission structures.

[Contact Us](#)



Fibre Optic Cable Catalogue

Fibre Types & Wavelengths for indoor and outdoor use. We have a wide range of indoor and outdoor fibre optic distribution, patching and consumer cables, including Plenum, Rise

[Contact Us](#)



FibreFab-Fibre-Optic-Cable-Catalogue

Simplex Fibre Optic Patch Cable Optonics simplex fibre optic patch cable is ideal for use in office LAN connections, patchcords, pigtailed and internal point-to-point links where frequent handling is likely

[Contact Us](#)

Fibre Optic Cable & Connector Guide

Choices must be made in selecting fibre optic cables and connectors for high-reliability applications. This white paper provides the knowledge for how to make appropriate selections of fibre optic cable and

[Contact Us](#)



Fiber Optic Cables Selection Guide: Types, Features,

Fiber optic cables are composed of one or more transparent fibers enclosed in protective coverings and strength members. Fiber optic cables allow signals,

[Contact Us](#)



The FOA Reference For Fiber Optics

High Fiber Count Fiber Optic Cables As fiber optic communications systems are expanded to accommodate rapidly growing communications needs, there has

[Contact Us](#)



Contact Us

For datasheets, pricing, or custom fiber access solutions, please visit:
<https://frindel.es>