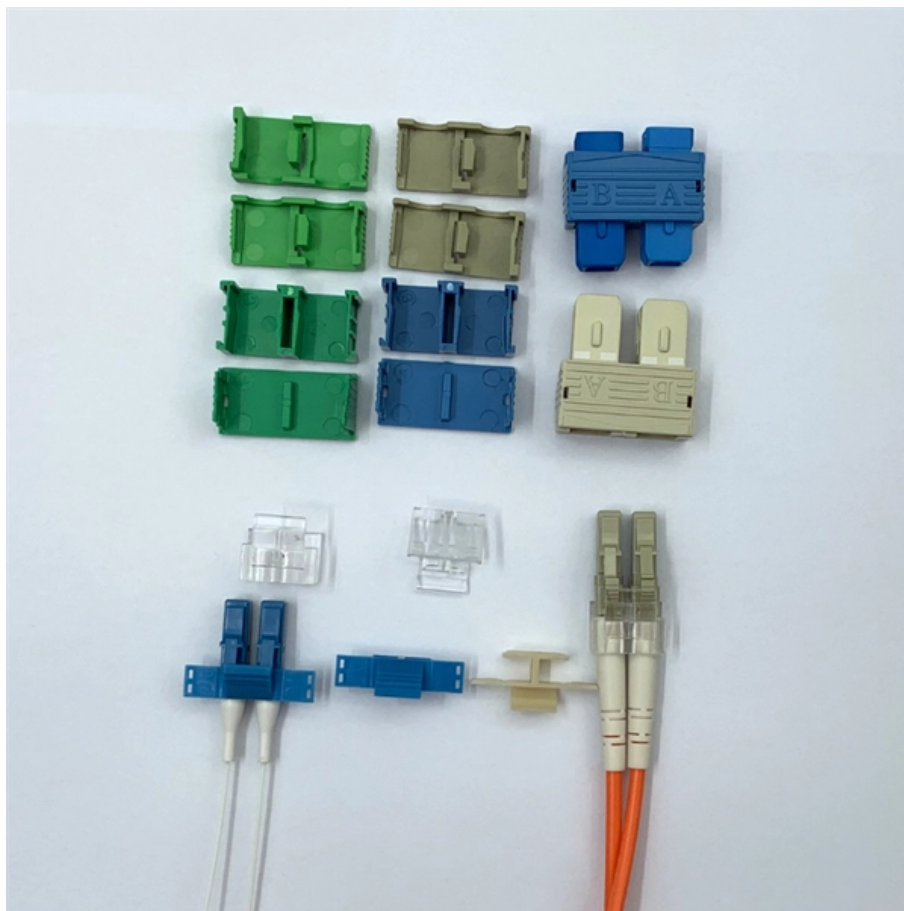


# Splitter Port Sharing





## Overview

---

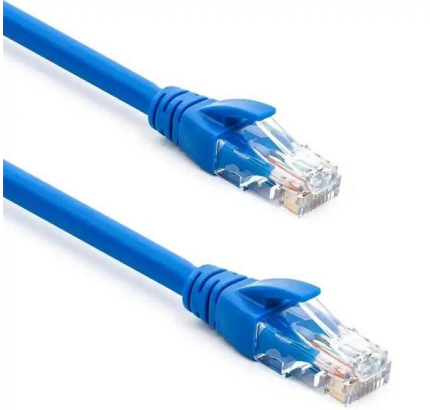
The transceiver is usually attached to a computer via a standard RS-232 interface. Most ham radio operators will want to have several applications running at once and they all need to communicate with the transceiver through a single COM port. Accurate planning of the route can be done with a single connection to the GPS, but what if you want to log your route as well?

You are faced with the prospect of purchasing another.



## Splitter Port Sharing

---



### List of The Best Serial Port Splitters

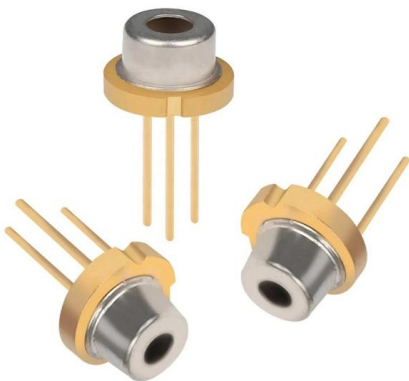
Serial Port Splitter is another software solution that enables serial data from one port to be shared with several serial applications. It creates the required

[Contact Us](#)

### Difference between Ethernet splitter and switch

I have one Ethernet port that is wired directly to the router on another level. However, I want to run a desktop and a server both off this one Ethernet

[Contact Us](#)



### Splitting Ethernet Cable: Feasibility & Considerations

Ethernet splitter cables are a quick and simple way to divide an Ethernet connection and connect several devices to a network. You typically

[Contact Us](#)

### Ethernet Switch vs. Hub vs. Splitter: What's the Difference?

Find out the differences: Ethernet switch vs. hub vs. splitter. See which is the best for sharing your Ethernet connection.

[Contact Us](#)



### **What Is Ethernet Splitter and How Does It Work**

Ethernet splitter is one of common network devices. What does it do? How does it work? To get the answers and more details, read this post now.

[Contact Us](#)



### **Serial Port Splitter**

Serial Port Splitter allows you to share one serial port among several applications. This makes possible to access one serial device from several programs

[Contact Us](#)



### **Ethernet Splitter vs Switch: Understanding the**

Ethernet splitters have generally become obsolete due to the affordability of small unmanaged switches, and Cable Matters has discontinued

[Contact Us](#)





## How to Install & Use an Ethernet Splitter Guide -

Learning how devices share a wired connection saves time and frustration. So, what is an ethernet splitters? How does an Ethernet splitter work?

[Contact Us](#)



## Serial Port Splitter

For example, Serial Port Splitter allows splitting output of GPS tracking system connected to physical COM1 port among several mapping applications

[Contact Us](#)

## Shared Serial Ports: Software Com Port Splitter, Split/Share RS232

HHD Software Shared Serial Ports is a software utility that allows you to manage data flow of a single COM port or device within multiple serial communication applications in different ways. It supports

[Contact Us](#)



## Share COM port between apps. Serial Data Splitter.

HHD Software Shared Serial Ports is a software utility that allows you to manage data flow of a single COM port or device within multiple serial communication applications in different ways. It supports

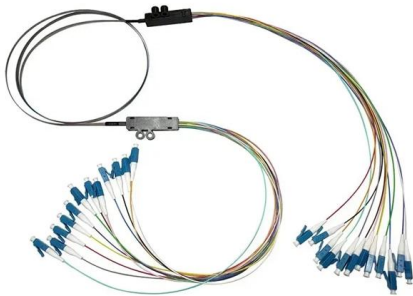
[Contact Us](#)



## Ethernet Splitter Basics: How It Works & When to Use One

Discover how an Ethernet splitter works, when to use it, and the drawbacks to watch out for. Get tips to choose the best splitter for your network setup.

[Contact Us](#)



## Share COM port with multiple applications

To share existing COM port with multiple applications, you can use Virtual Splitter device. For example, if you want to share existing serial port COM1 with multiple

[Contact Us](#)

## Introduction for Serial Splitter , KB

It lets you create multiple serial ports at both sides of a bundle, with data redirected from several incoming ports to several outgoing ports. Both sides of a bundle can have virtual serial ports, real

[Contact Us](#)



## Share COM port between apps. Serial Data Splitter.

This article describes how to share COM port between applications with Serial Port Splitter hardware and software solutions. You will learn the advantages and

[Contact Us](#)



## Serial Port Splitter: Share Your Serial Port with Multiple Applications

Unlock the power of a Serial Port Splitter to effortlessly share a single COM port among several applications, managing data flow from multiple RS232 devices seamlessly.

[Contact Us](#)



## Serial Splitter

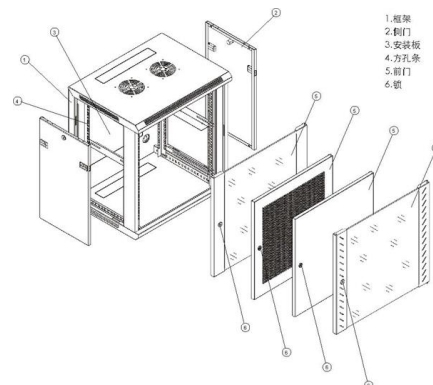
Virtual Serial Port Driver PRO is an efficient all-in-one solution that allows to join and split serial ports, configure custom port parameters and

[Contact Us](#)

## Serial Splitter

RS232 Splitter is a versatile application that allows you to split one port among several applications in such a way that they can all get the same data

[Contact Us](#)



## Introduction to Passive Optical Network Splitter Architectures

Fiber Broadband Association Technology Committee February 2025 The choice of splitter architecture for a passive optical network (PON) network can impact many aspects of a Fiber to the X (FTTx)

[Contact Us](#)

## Splitter for Ethernet Cable: How to Use & What You Need



Ethernet Sharing Kit: Details a kit with dual adapters that combines two router ports into one cable, then splits them at the other end without noticeable speed loss--great for two-device

[Contact Us](#)



### What Are Ethernet Cable Splitters (and the Best Ones to

Ethernet cable splitters can carry two separate Ethernet signals over a single physical cable. This effectively turns one cable into two, and it can be a

[Contact Us](#)

### Serial Port Splitter - split COM port, open COM port by

Serial Port Splitter allows several serial communications applications to get simultaneous access to serial device plugged to a COM port. Serial Port Splitter

[Contact Us](#)



### Amazon : FPOUT IT-Well USB Printer Sharing

Buy FPOUT IT-Well USB Printer Sharing Device, 2 in 1 Out Printer Sharing Device 2-Port Manual KVM Switching Splitter Hub Converter: KVM Switches -

[Contact Us](#)



## DTech 2-Port RS232 Serial Splitter Box COM Port

About this item Expands 2 RS232 Serial Ports:  
This splitter box adds 2 RS232 serial ports to your computer for sharing data with other devices. Simple Installation:

[Contact Us](#)



### Share COM port with multiple applications

Recommended for sharing HAM radio CAT port to avoid data collisions. To share existing COM port with multiple applications, you can also use Serial Router

[Contact Us](#)

## Contact Us

---

For datasheets, pricing, or custom fiber access solutions, please visit:  
<https://frindel.es>