

Specifications of Dutch Smart Distribution Boxes





Specifications of Dutch Smart Distribution Boxes



Top 6 Distribution Box Makers with Innovative Features in 2025

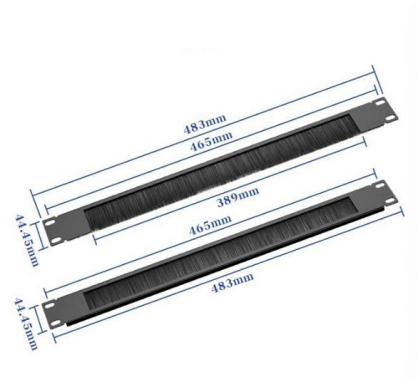
See the best distribution box manufacturer picks for 2025, featuring top brands with advanced safety, smart features, and global certifications.

[Contact Us](#)

Smart metering in the Netherlands: what, how, and why

Abstract This paper describes the functionality and realization of the smart metering infrastructure in the Netherlands, and discusses the changes that have been made in response to privacy and security

[Contact Us](#)



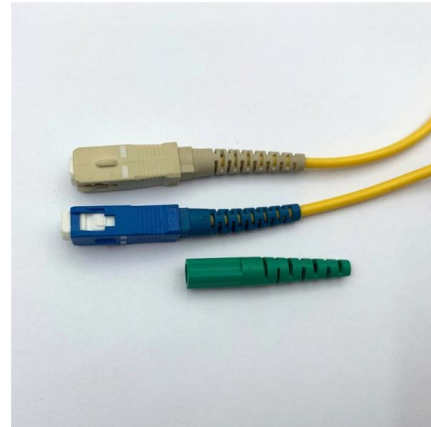
What Are Distribution Boxes and Their Functions in

Understand the role of distribution boxes in fiber optics. Learn about their components, types, and functions in protecting and managing fiber optic

[Contact Us](#)

Distribution boxes

Distribution boxes Könnor & Söhnen®
Distribution Boards provide reliable connection for up to 7 groups of devices with a maximum current of 32A. Suitable for indoor and outdoor use. High-quality



Distribution Box Guide: Types, Components & Solutions

Understand distribution boxes (DB boxes) in 5 minutes. Learn about types, components, functions, and uses. Find the perfect DB box for your needs.

[Contact Us](#)



Electrical Distribution Boxes for Power Distribution , Wieland

From decentralized energy, signal and data distribution to distribution boxes for smart buildings, we offer the right solution. We mount any electronics in the manifolds! All options are open here, and the

[Contact Us](#)



Smart metering in the Netherlands: What, how, and why

The Dutch Smart Meter Requirements (DSMR) and its companion standards lay down the specifications of smart meters. As most houses in the Netherlands also have a natural gas

[Contact Us](#)





The Complete Guide to Distribution Box: Installation, Types & More

Smart distribution boxes integrate digital monitoring and control systems that provide real-time information about electrical consumption, power quality, and equipment status.

[Contact Us](#)



Installations Boxes , Schneider Electric Netherlands

Schneider Electric Netherlands. Discover our range of products in Installations Boxes: Mureva surface mounted boxes.

[Contact Us](#)

Wieland Smart distribution boxes catalogus

Met de distributie boxen van Wieland wordt elke mogelijke schakeling op maat gemaakt. Elk denkbare schakeling kan vooraf worden gebouwd. Zo wordt installeren nog eenvoudiger. Hallo Wind, even de

[Contact Us](#)



Dutch Smart Meter Protocol Overview

This document provides the version 2.2 final specifications for smart meters in the Netherlands. It outlines requirements for smart meter functionality,

[Contact Us](#)



Distribution Boxes

M8 & M12 DISTRIBUTION BOXES : FIELD WIREABLE OR PRE-WIRED June 17th, 2024 , Connectivity Solutions, Distribution Boxes, Junction Boxes Norstat now

[Contact Us](#)



ontwerp1_EU

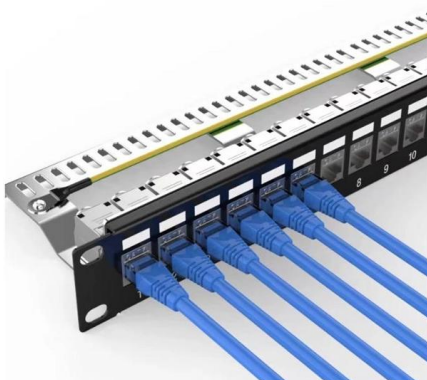
The Smart Distribution Box (SDB) is a distribution box specially developed for monitoring and managing complex energy distribution. The technology enables detailed monitoring of the energy flow from

[Contact Us](#)

Which distribution box is suitable for which type of project?

Each project has specific requirements for a distribution box, depending on factors such as the location, the size of the installation and the type of equipment being connected. This article

[Contact Us](#)



Distribution box , Gamma-Wopla & Smart-Flow

Distribution box Our nestable retail boxes offer smart solutions for transport and storage. These plastic boxes come with a permanently attached lid. Stacking and nesting our distribution boxes is therefore

[Contact Us](#)

P2815/D5, Jun 2024



The general functional and technical specifications of the smart distribution transformer terminal (as a device) used in distribution network monitoring and operation are provided in this guide. Various

[Contact Us](#)



Distribution Point Box Indoor Manufacturer & Supplier in Netherlands

The box is made of polystyrene, a self-extinguishing plastic which provides corrosion free, highly impact resistance, stable and maintenance free use. All installation parts, such as cable entries, cable fixing

[Contact Us](#)



Dahuasecurity

Hier sollte eine Beschreibung angezeigt werden, diese Seite lässt dies jedoch nicht zu.

[Contact Us](#)



Smart metering in the Netherlands

In 2014 the Dutch government decided to go ahead with the roll-out of smart meters to every home . The reported numbers - nearly 3 million households equipped with a smart meter at the end of 2016

[Contact Us](#)

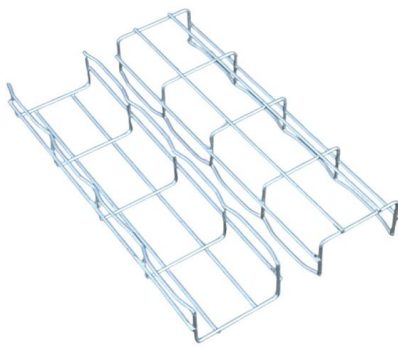


Distribution boxes title meta , Vello Elektro BV



Distribution boxes description meta VELLOAD
Series Charging solutions for fixed and portable
BALANCE: Intelligent system for larger
applications MULTI: Ideal

[Contact Us](#)



Dutch Smart Meter Specifications v2.1 , PDF , Computer

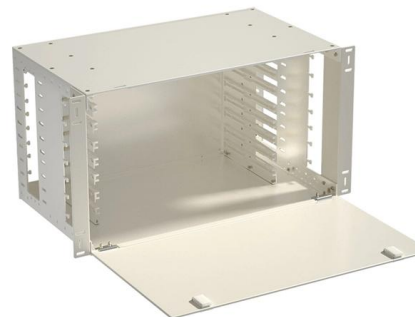
Dutch Smart Meter Specifications v2.1 This document provides specifications for smart meters in the Netherlands, including communication profiles, security

[Contact Us](#)

Distribution boxes - For modular and decentralised

Modern automation solutions are becoming increasingly decentralised. As a result, you need distribution systems that can be easily integrated into the common

[Contact Us](#)



50km/spool



Electrical Distribution Boxes for Power Distribution

The Wieland distribution boxes, ic compliance to IEC 61439, together with our installation connector systems, in compliance to IEC 61535, as well as its system

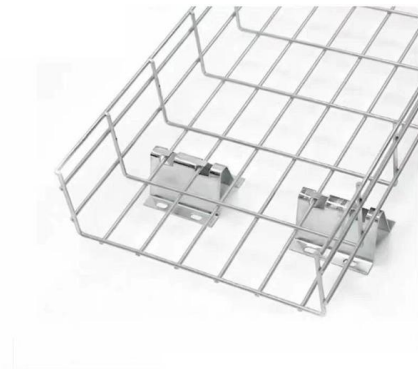
[Contact Us](#)



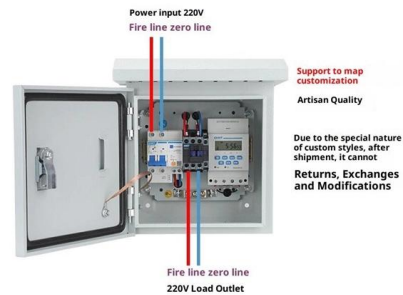
The Technical Specifications for Fiber Distribution Boxes

The fiber distribution box, a crucial component in optical fiber networks, serves a dual purpose of managing and protecting optical fibers while facilitating

[Contact Us](#)



Product Wiring Diagram



PASSIVE DISTRIBUTION BOXES

Murrelektronik's passive distribution boxes provide a much more convenient method for connecting sensors and actuators to the control cabinet. Murrelektronik supplies a comprehensive range of

[Contact Us](#)

Distribution box , Gamma-Wopla & Smart-Flow

These plastic transport containers are available in different sizes (600x400 and 400x300 mm). Especially suitable for retail, they can also be used in a wide variety of other sectors.

[Contact Us](#)



Room Automation Distribution Boxes for DALI & Building

Distribution boxes for room automation and DALI lighting control. Modular pluggable solutions for building automation and decentralized electrical installation.

[Contact Us](#)



Contact Us

For datasheets, pricing, or custom fiber access solutions, please visit:
<https://frindel.es>