

Specifications and Models of 4-Core Single-Mode Optical Cables





Specifications and Models of 4-Core Single-Mode Optical Cables



Key Specifications of Single-Mode Fiber Optic Cables

Single-mode fiber optic cables are widely used for long-distance, high-bandwidth optical communication. Understanding their key specifications is

[Contact Us](#)

4 Core Optical Fiber Cable Specification

Single-mode /multimode for option OM3 for multimode Optical Fiber 4 Cores Inside Compatible with all standard fibre optic equipment and connectors Stainless Steel sheathed and metal braiding

[Contact Us](#)



Single & Multimode Fiber Optic Cable: What's the difference

On the other hand, multiple light rays propagate through the waveguide at the same time in multimode optical fiber. Single

[Contact Us](#)



4 Core Optical Fiber Cable Specification

4 Core Optical Fiber Cable Specification. Optical Fiber Cable 4 Core. Key Features.

[Contact Us](#)



SINGLE MODE OPTICAL FIBER CABLE

Renka Single Mode Optical Fiber Cables are constructed with Dispersion Unshifted Single Mode Optical Fibers, with a matched cladding. Matched clad fibers feature a dual UV curable acrylate coating

[Contact Us](#)



Single-Mode Optical Fiber (SMF)

It can be used in all cable constructions, including loose tube, tight buffered, ribbon, and central tube designs. It supports long haul, metropolitan, access and premises applications in

[Contact Us](#)



Nexans 4-core fiber optic cable, MM 50 multimode, IN /

Nexans 4-core fiber optic cable is one of Nexans products that is used for indoor and outdoor installation.

[Contact Us](#)





4 Core Single Mode Fiber Optic Cable

Various models of HES branded fiber optic cables cater to a wide range of applications, including telecommunication infrastructure, data centers, industrial

[Contact Us](#)



4 Core Optical Fiber Cable

Our 4 Core FTTH Single Mode Optical Fiber Cables are designed to meet the specific needs of telecom operators and ISPs. They provide high-performance

[Contact Us](#)

Single-Mode Fiber Cable Guide: Types, Specs & Selection

This comprehensive guide explores Single-Mode Fiber Optic Cable, covering technical specifications, deployment scenarios, and best practices to help you optimize your fiber infrastructure

[Contact Us](#)



3BL

We've helped over 1,500 organizations build stronger communications and distribute their stories on credible publishers that drive reputation.

[Contact Us](#)



Specifications of 4-C Single mode fiber cable Model Type: GYFZY

2.1 Introduction Loose tube construction, tubes jelly filled, elements (tubes and filler rods) and water blocking yarns laid up around non-metallic central strength member, polyester yarns used to bind the

[Contact Us](#)



Single-Mode Optical Fiber (SMF)

Draka Single-Mode Fiber (SMF) provides optimum performance in both the 1310 nm and 1550 nm wavelength operation ranges (including the 1565 - 1625 nm L-band), with a low dispersion in the

[Contact Us](#)

4-Core Single mode Fiber Optic Cable

Fiber optic 4-core round drop cable consists of four parts, PE plastic cover, multi-strand aramid yarn, PBT loose tube with jelly compound and optical fiber. These

[Contact Us](#)



Fiber Optic Cable Types - Multimode and Single Mode

Single Mode cable has a much smaller core (8-9um) than multimode cable and uses a single path (mode) to carry the light. The main difference between single mode OS1 and OS2 is cable

[Contact Us](#)



SINGLE MODE OPTICAL FIBER CABLE

This document describes the Renka specifications for Single Mode Optical Fiber Cables, Dielectric and Armored. Renka Single Mode Optical Fiber Cables are constructed with Dispersion Unshifted Single

[Contact Us](#)



Fiber Optic Cable Types: Comprehensive Guide

Two Types of Fiber Optic Cable Fiber optic cables fall into two main categories: single-mode fiber (SMF) and multimode fiber (MMF), each designed

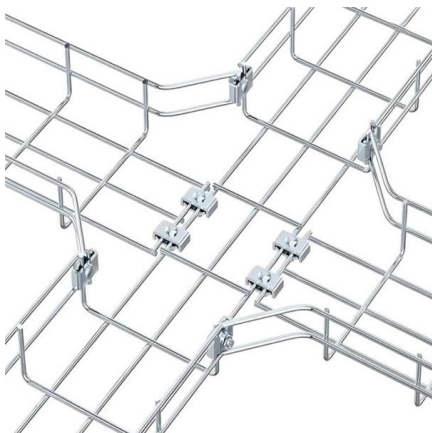
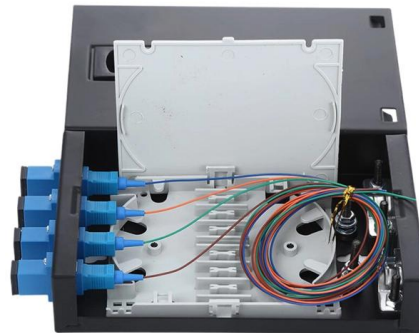
[Contact Us](#)



FibreFab-Fibre-Optic-Cable-Catalogue

FibreFab Established in 1992, FibreFab is a leading provider of fibre optic connectivity products used in data communications and Telecommunication networks. The Company designs, develops,

[Contact Us](#)



Fiber Optic Cable Types - Multimode and Single Mode

Single Mode cable has a much smaller core (8-9um) than multimode cable and uses a single path (mode) to carry the light. The main difference

[Contact Us](#)



4 Core Single Mode Fiber Optic Cable

HES Branded Fiber Optic Cables Single Mode 4 Core HES branded fiber optic cables are designed with high performance and reliability, focusing especially on

[Contact Us](#)



FTTH Cable 4 Core Single Mode Bend Insensitive Outdoor

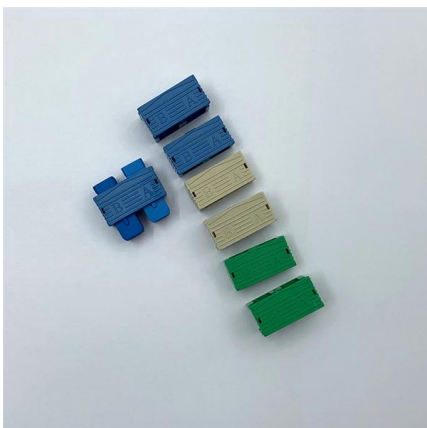
Its main advantage is that a single cable can be used for 2 independent telecom operators. The optical fiber is made of high pure silica and germanium doped silica.

[Contact Us](#)

Single Mode Fiber Optic Cables

Find premium single mode fiber optic cables for high-speed data transmission. 20 years of expertise and worldwide delivery.

[Contact Us](#)



WORLD WIDE WEB JOURNAL Home

O'Reilly & Associates, Inc. 103A Morris St.
Sebastopol, CA United States

[Contact Us](#)



Single-Mode vs Multimode Fiber Optic Cables: A Comprehensive

Compare Single Mode vs Multimode fiber optic cables. Expert analysis on distance, bandwidth, 800G compatibility, and TCO for modern network infrastructure.

[Contact Us](#)



Understanding Fibre Optic Cable Types: Single-mode vs

Single-mode and Multimode fibre optic cables are crucial components in various applications, yet distinguishing between the two can be

[Contact Us](#)

[Hot Item] GYXTW 4 Core Single Mode Fiber Optic Cable

For 8 years, hundreds of kilometers of Necero optical fiber cable have been laid in the subarea sea in Shenzhen. In the project of Shenzhen Municipal Construction, Necero has beat many substantial

[Contact Us](#)



Active
Optical
Cable

Contact Us

For datasheets, pricing, or custom fiber access solutions, please visit:
<https://frindel.es>