

South Asia CIF Price for Long-Distance Optical Cable G 655





South Asia CIF Price for Long-Distance Optical Cable G 655



Asia's Optical Fiber Cables Market Report 2026

The average export price for optical fiber cables in Asia stood at \$8,445 per ton in 2024, reflecting a decrease of 6.4% from the previous year. This price level continues a broader pattern of

[Contact Us](#)

CIF full form in Export: Role, Process, Benefits, and

Complete guide on CIF in Export. Understand its full form, meaning, benefits, and how to use it in international shipping contracts.

[Contact Us](#)



Asian Optical Fiber Cables Suppliers and Manufacturers

Find Optical Fiber Cables Suppliers. Get latest factory price for Optical Fiber Cables. Request quotations and connect with Asian manufacturers and B2B suppliers of Optical Fiber Cables. Page - 1

[Contact Us](#)



Asia's Optical Fiber Cables Market to Reach 1.2M Tons

Learn about the projected growth of the optical fiber cables market in Asia over the next decade, with an anticipated increase in market volume and value by 2035.



CIF Incoterms 2020 , Cost, Insurance, and Freight

Find out more about CIF Incoterms 2020. Get to Know the explanation of Cost, Insurance, and Freight at SeaRates for your shippings

[Contact Us](#)



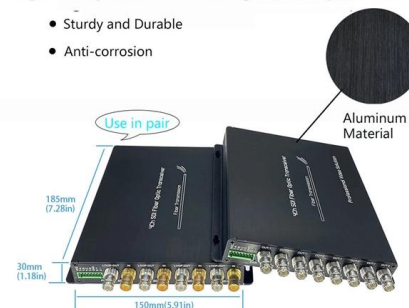
Lithium carbonate prices

Get daily updates on lithium carbonate prices with transparent methods to support your market analysis and decisions.

[Contact Us](#)

High Quality Aluminum Housing with Compact Size

- Sturdy and Durable
- Anti-corrosion



Fiber Optic Cable Price in 2026: Real Market Data for March

This article summarizes the latest fiber optic price data as of March 9, 2026, along with the recent timeline of price changes and the factors behind the surge.

[Contact Us](#)



Guide to CIF Incoterm

Guide to CIF Incoterm In the world of international trade, choosing the right Incoterm is crucial for smooth and cost-effective logistics. One of the most

[Contact Us](#)



Optical fibre prices rise as preform availability tightens

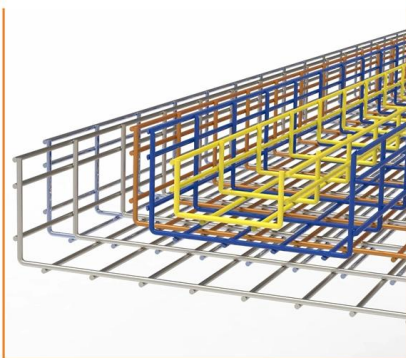
Optical fibre prices are rising alongside sustained demand growth. Visit CRUGroup to uncover the impact across multiple regions.

[Contact Us](#)

Wire & Cable Prices

CRU provides comprehensive, accurate and up-to-date price assessments and research reports for bare optical fibre across various key regional markets, combined with insights into the

[Contact Us](#)



Single-Mode Fiber Cable Market Size, Share and

Single-mode fiber optic cables are available in G.652, G.653, G.654, G.655, G.656, and G.657. Quartz optical fiber cable is a fiber cable made from natural quartz

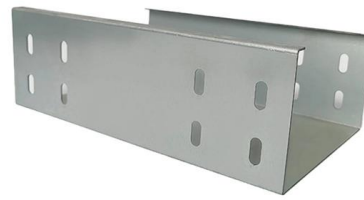
[Contact Us](#)



CIF Incoterms: Pricing, Risk Explanation

CIF Incoterms is one of the most commonly used terms in international trade transport. Having a deep understanding of its meaning, usage scenarios, price

[Contact Us](#)



CIF Incoterms® meaning , Cost Insurance Freight , Maersk

What's the meaning of CIF Incoterms®, and how does Cost, Insurance, and Freight work in shipping? Here's when to use and when not to use CIF for

[Contact Us](#)

Asia's Optical Fiber Cable Market Set for Steady Growth

Asia's optical fiber cable market is projected to grow to 971K tons and \$12.1B by 2035, driven by rising demand. China dominates production and consumption,

[Contact Us](#)

Huijie engineering specific Fiber optic

HJ GROUP offers a wide variety of product types for you to choose from.



Strengthen door locks
More durable and aesthetically pleasing



Grounding screw
More aesthetically pleasing and safer



Removable hinges
Make operation more convenient



Sealing strip
Dustproof and waterproof

LEAF® Optical Fiber , Long-haul and Metro Solution , Corning

Typically deployed in non-coherent long-haul and metro networks, LEAF fiber combines low dispersion and low loss. This ITU-T G.655.D-compliant fiber enables improved performance flexibility and

[Contact Us](#)



Asia Pacific Fiber Optics Market Size , Industry Report,

Asia Pacific Fiber Optics Market Trends The Asia Pacific fiber optics market size was estimated at USD 3.04 billion in 2024 and is projected to grow at a CAGR of 8.8%

[Contact Us](#)



Asia Pacific Fibre Optic Cables Market , Share & Size 2030

The Asia Pacific fibre optic cables market is growing steadily, driven by advancements in fibre optic technology and a rising demand for high-speed data transmission across various industries.

[Contact Us](#)

Major Recommendations: Optical

Major Recommendations: G.650.1, G.650.2, G.650.3 Definitions and test methods for use in factory and installed single-mode fibre and cables G.652 The characteristics of a single-mode optical fibre and

[Contact Us](#)



Long-awaited Asia Direct Cable, connecting Japan to

A new undersea fiber-optic cable connecting Japan to Singapore with branches to other Asian countries is ready for operation this month, one of the

[Contact Us](#)

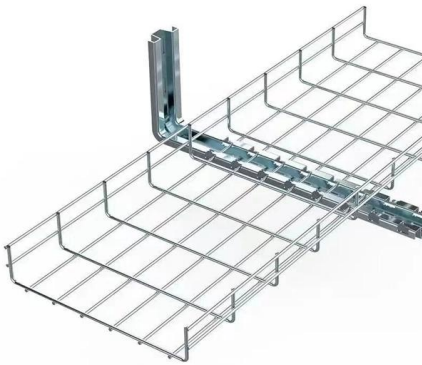




Battery Materials Outright

A monthly cash settled future based on the Benchmark Mineral Intelligence (BMI) weekly assessment price for spot Lithium Carbonate CIF Asia.

[Contact Us](#)



Optical Cable Pricing: Comprehensive Guide to Cost-Effective Fiber

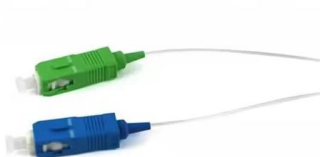
Explore competitive optical cable pricing options, featuring detailed cost analysis, performance benefits, and long-term value propositions for modern networking infrastructure.

[Contact Us](#)

Submarine Cable and Capacity Pricing Trends in Asia-Pacific

Notes: Cables shown based on publicly announced cable investments in the Asia-Pacific region and excludes investment in fiber pairs post-RFS, spectrum, or other managed bandwidth purchases.

[Contact Us](#)



Fiber Optical Cable Market Size, Forecast Report to 2035

The regions covered in the fiber optical cable market report are Asia-Pacific, South East Asia, Western Europe, Eastern Europe, North America, South America,

[Contact Us](#)



Asia Pacific Fiber Optics Market Size , Industry Report,

The Asia Pacific fiber optics industry is expanding rapidly due to the increasing demand for high-speed internet and advanced telecommunication networks.

[Contact Us](#)



OECD

Hier sollte eine Beschreibung angezeigt werden, diese Seite lässt dies jedoch nicht zu.

[Contact Us](#)

Fibre-optic Link Around the Globe

Fibre-optic Link Around the Globe (FLAG) is a 28,000-kilometre-long (17,398 mi; 15,119 nmi) fibre optic mostly- submarine communications cable that connects

[Contact Us](#)



Asia-Pacific Fiber Optic Cable Market

The Asia-Pacific Fiber Optic Cable Market is witnessing robust growth, driven by

[Contact Us](#)

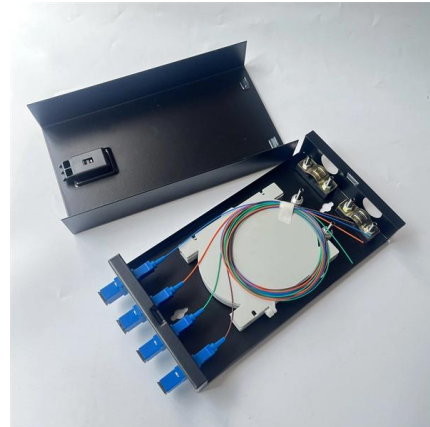




Fiber optic cable Market Size, Share & Trends, 2033

Fiber optic cable refers to the network infrastructure solution that transmits data as pulses of light through thin strands of glass or plastic fibers which enables high-speed, long-distance,

[Contact Us](#)



Contact Us

For datasheets, pricing, or custom fiber access solutions, please visit:
<https://frindel.es>