

Slovenia power distribution box complete set





Slovenia power distribution box complete set



Plastic Distribution Box for 12 Modules

The plastic distribution box for 12 modules by ETI (Slovenia) is designed to house modular electrical equipment in residential and commercial installations. The enclosure is made from durable, flame

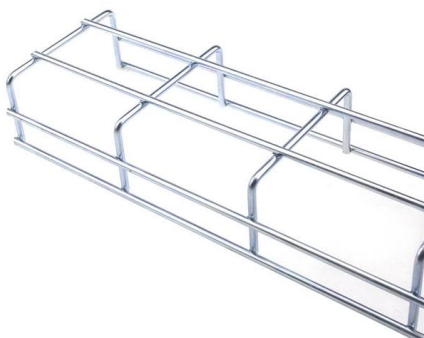
[Contact Us](#)

Breaker Box Distribution Protection Box Ip65 Clear Cover Electrical

The Breaker Box Distribution Protection Box is a robust and versatile electrical junction box designed for circuit breakers. With an IP65 rating, it offers superior protection against water, dust, and UV rays,



[Contact Us](#)



Distribution Box Guide: Types, Components & Solutions

Understand distribution boxes (DB boxes) in 5 minutes. Learn about types, components, functions, and uses. Find the perfect DB box for your needs.

[Contact Us](#)

DISTRIBUTION BOXES

Our basic distribution boxes, ranging from 32A to 250A, provide reliable and flexible power solutions for small to medium-sized events. Ideal for locations where space is limited, but a stable power supply is



LV distribution boards , PRINSIS d.o.o.

SWITCHBOARDS, LOW-VOLTAGE DISTRIBUTION PANELS Available are TTA (type-tested assembly) switchboards, manufactured according to an adopted type

[Contact Us](#)



ELES, d.o.o., combined transmission and distribution system operator

The ELES d.o.o. Company has the exclusive right to perform the public service of transmission network system operator in the Republic of Slovenia.

[Contact Us](#)



Electric power system , Eles d.o.o.

The electric power system includes electricity generators, electric power transmission and distribution networks and consumers.

[Contact Us](#)





Slovenia Electric Outlets & Plugs

Power outlets and plugs used in Slovenia
Slovenia most commonly uses power plugs and outlets of type C and type F. The standard voltage is 230 V and the standard frequency is 50 Hz. Type C Type F

[Contact Us](#)



Power Distribution Boxes

Explore our Power Distribution Boxes! Enjoy factory-direct sales and expert customization for efficient power management. Shop now for reliable solutions.

[Contact Us](#)



electrical distribution Slovenia , B2B companies and suppliers

All suppliers for electrical distribution Slovenia
Find wholesalers and contact them directly B2B marketplace Find companies now!

[Contact Us](#)



Distribution box M12 with master cable 4-pin , LAPP

LAPP Slovenija je del globalnega podjetja LAPP in predstavlja inovativne rešitve za povezljivost. Smo vodilni proizvajalec kablov in kabljskih

[Contact Us](#)



Understanding Distribution Boxes: A Comprehensive Guide

A distribution box, also known as a power distribution box or electrical distribution box, is used to distribute electrical power safely to multiple

[Contact Us](#)



Ordering information

NO.	1	2	3	4	5	6
Model	SP240	SP280	SP380	SP480	SP580	SP680
Product name	Patch Panel	Patch Panel	Patch Panel	Patch Panel	Patch Panel	Patch Panel
Illustration						
MU	1	2	4	1	2	4
Maximum number of lanes	144	288	576	144	288	576
Product size (including modules and cables)	482.0*302*140 mm	482.0*302*177 mm	482.0*302*177 mm	482.0*302*140 mm	482.0*302*177 mm	482.0*302*177 mm
Standard color code	RAL9005	RAL9005	RAL9005	RAL9005	RAL9005	RAL9005
Inventory	2	2	2	2	2	2

Slovenia's transmission network

Slovenia's high-voltage transmission network consists of three different voltage levels: 400 kV, 220 kV and 110 kV. It is intended to transmit electric power from large energy generators (the nuclear power

[Contact Us](#)

LV distribution boards , PRINSIS d.o.o.

Available are TTA (type-tested assembly) switchboards, manufactured according to an adopted type or system with no changes and PTTA (partially type-tested

[Contact Us](#)



Power Distribution Panel In Slovenia

The Power Distribution Panel, manufactured by Brilltech, are known to exhibit attributes such as compact design, fully tested and excellent quality complying to ISO standards.

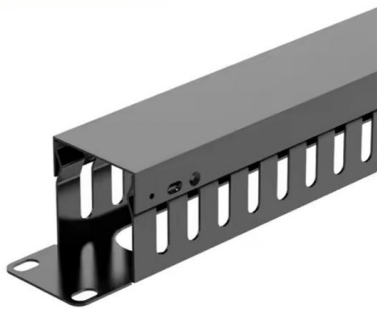
[Contact Us](#)



power distribution Slovenia , Podjetja B2B in dobavitelji , europages

Vse dobavitelji za power distribution Slovenia
Poiscite veletrgovce in jih kontaktirajte
neposredno B2B-platforma Najdite podjetja zdaj!

[Contact Us](#)



Top 7 Electrical Supply Suppliers in Slovenia (2026) , ensun

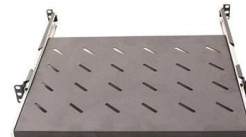
Their all-in-one power grid solution provides real-time data and predictions, empowering grid operators to make informed decisions and optimize the operation of their electrical supply systems.

[Contact Us](#)

Electricity law and regulation in Slovenia , CMS Expert Guides

Are you looking for information on electricity law and regulation in Slovenia? This CMS Expert Guide provides you with everything you need to know.

[Contact Us](#)



Webit Cabling



Who supplies power distribution equipment in Slovenia?

Searching for power distribution equipment? In the business search engine SJN you find products and services from manufacturers, suppliers, importers, exporters and distributors.

[Contact Us](#)

Power supplies (24 V and 48 V DC) ,



Beckhoff Slovenija

Power supplies for 24 V and 48 V DC Christian Jürgehake, product manager, presents the power supplies and their applications. Beckhoff's comprehensive portfolio offers 1- and 3-phase DIN rail

[Contact Us](#)



Electricity distribution equipment Slovenia , B2B companies and

23 Companies and suppliers for electricity - distribution equipment Find wholesalers and contact them directly Leading B2B marketplace Find companies now!

[Contact Us](#)

Solid Rubber Distribution Box , DISTRO-DIRECT

Buy online: compact solid-rubber power distribution units offering high mechanical durability, operational safety, and quick access to internal protection via a flip cover.

[Contact Us](#)



Slovenia Power Strips , Slovenia PDU Power Distribution Units,

Slovenia power strips and PDU power distribution units for surface mount, rack mount and general purpose applications. Multiple outlet power strips are manufactured in accordance to Slovenia

[Contact Us](#)





Stage Power Distro Box Guide: Expert Selection

Master stage power distro box selection with proven strategies from industry pros. Get expert tips on safety, setup, and maximizing performance.

[Contact Us](#)



Size determination, installation method and wiring mode

The distribution box is the central hub of the home circuit and the general control of our daily power consumption. It is an indispensable electrical equipment. If there

[Contact Us](#)



CURRENT DISTRIBUTORS

Intelligently designed plastic housing with cross-divided inlet and outlet openings integrated within its bottom and cover facilitate in combination with the folding strain relief clamps effortless, time-saving

[Contact Us](#)



Contact Us

For datasheets, pricing, or custom fiber access solutions, please visit:
<https://frindel.es>