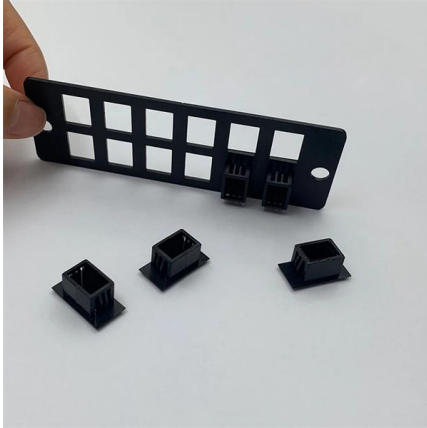


Skill Assessment Senior Relay Protection Technician





Skill Assessment Senior Relay Protection Technician



Relay Technician Job Description Template (May 2026) (Download)

Assist in the commissioning of new relay installations. What are the Skills and Requirements for a Relay Technician? Technical proficiency in electrical systems and relay protection. Ability to read and

[Contact Us](#)

10+ Relay Technician Resume Samples & Templates for

Relay Technician Resume Objective : Skilled Relay Technician with 2 years of hands-on experience in maintaining and troubleshooting high-voltage protection

[Contact Us](#)



What are the key skills and qualifications needed to thrive in the

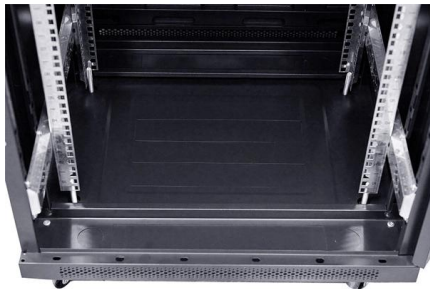
Attention to detail, strong analytical thinking, and effective communication are vital soft skills for this role. These capabilities ensure the accurate installation, calibration, and maintenance of protective relays,

[Contact Us](#)



Relay Technician Job Description (2025 Templates)

Get free relay technician job description templates based on analyzing thousands of relay technician job descriptions to identify key pieces of information you want to include when writing an



Study on Hierarchical Relay Protection Skill Evaluation and Adaptive

Abstract: To address the pain points in relay protection talent training and assessment-such as vague evaluation standards, insufficient scenario simulation, and disconnection between training and

[Contact Us](#)

6 Protective Relay Technician Interview Questions and Answers for 2026

Protective Relay Technicians are responsible for installing, testing, maintaining, and troubleshooting protective relay systems used in electrical power systems. These systems ensure

[Contact Us](#)



6 Protective Relay Technician Job Description Templates and Examples

Protective Relay Technicians are responsible for installing, testing, maintaining, and troubleshooting protective relay systems used in electrical power systems. These systems ensure the safety and

[Contact Us](#)





Relay Technician Jobs, Employment , Indeed

880 Relay Technician jobs available on Indeed .
Apply to Technician, Test Technician, Apprentice Electrician and more!

[Contact Us](#)



PROTECTIVE RELAY TESTING

A comprehensive testing program should simulate fault and normal operating conditions of the relay. Acceptance testing, commissioning, and startup will include control power tests, current transformer

[Contact Us](#)

5 Relay Technician Interview Questions and Answers for 2026

Junior technicians typically assist with basic tasks and learn the trade, while senior and lead technicians take on more complex responsibilities, including system analysis, mentoring, and

[Contact Us](#)



Relay Technician C Job Knowledge Test

Congratulations! You are taking the first step to ensure your success on the tests and ultimately in your career at San Diego Gas & Electric (SDG& E). The tests used at SDG& E are designed to give you

[Contact Us](#)



15 Relay Technician Skills For Your Resume

Discover the key skills that are required for a Relay Technician to succeed. Transformers, SCADA, Test Equipment skills are good to have on your resume.

[Contact Us](#)



Fundamental Techniques of Relay Protection Testing for

Master fundamental relay testing techniques for technicians. Learn to test, troubleshoot, and commission protective relay systems in power and

[Contact Us](#)

Relay Technician Training Program

Unfortunately, finding and keeping relay techs is also one of a utility's biggest challenges. That's why we've developed a targeted training program to help you

[Contact Us](#)



100+ Senior Relay Technician System Protection Control Jobs

127 Senior Relay Technician System Protection Control jobs available on Indeed . Apply to Senior Technician, Senior Field Technician, Senior Controls Engineer and more!

[Contact Us](#)



Relay Technician A Job Knowledge Test

About Job Knowledge Tests for people applying to certain jobs. These tests measure relevant job knowledge and skills in areas that are related to successf "on day 1" coming into the role. In addition,

[Contact Us](#)



How to be a successful Protective Relay Technician

The job combines a deep understanding of electrical theory with hands-on technical expertise, and it often requires working in high-pressure environments. Here, we will delve into what

[Contact Us](#)

What are the key skills and qualifications needed to thrive in the

To thrive as a Protective Relay Technician, you need a solid understanding of electrical systems, troubleshooting skills, and typically an associate's degree or technical certification in electrical

[Contact Us](#)



Protective relay maintenance training , AVO Training

Our hands-on training courses are designed to provide electrical technicians with the specialized skills required to test, calibrate, and maintain both mechanical and

[Contact Us](#)

Protection Relay and Meter Test



Technician

Become a Test Technician A at Southern California Edison (SCE) and build a better tomorrow. In this job, you will supervise, test, inspect, repair, and adjust relays, meters and associated devices for

[Contact Us](#)



What is a relay technician and how to become one

Learn what a relay technician is, what they do, and how to become one. Role overview, definition, salary and skills for relay technicians

[Contact Us](#)

Protective Relay Technician Skills and Knowledge

Job Description for Electrical and Electronics Repairers, Powerhouse, Substation, and Relay : Inspect, test, repair, or maintain electrical equipment in generating stations, substations, and in-service relays.

[Contact Us](#)



Looking at IEC 61850, Part 1: The Relay Technician

Adopting the IEC 61850 standard changes the professional journey of relay technicians. Digital substations require them to develop a keen understanding of IED (Intelligent Electronic

[Contact Us](#)

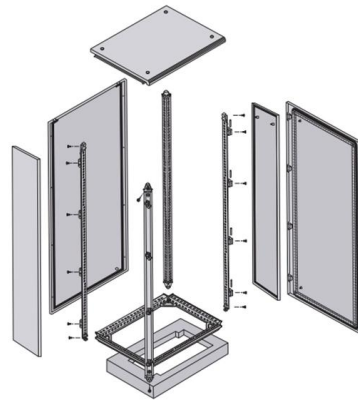




Relay Technician Training Program

Relay Technician Training Program Utility relay technicians are the backbone of a reliable utility. Unfortunately, finding and keeping relay techs is also one of a utility's biggest challenges. How do

[Contact Us](#)



Top 12 Relay Technician Skills to Put on Your Resume

Boost your resume with these 12 essential skills every relay technician should have, from troubleshooting to communication.

[Contact Us](#)

Relay Technician: Testing and Calibrating Relay Systems in Electric

A relay technician is tasked with ensuring the correct operation of protective relay systems that isolate faults in power systems. Their role includes troubleshooting, testing, and calibrating the system

[Contact Us](#)



Equipped with a removable **Mounting Plate** inside the enclosure, enabling customized drilling and secure component mounting.

Relay Maintenance and Testing

ERS relay technicians understand the critical nature of working with an active protection scheme and the impact testing and maintenance has on critical system operation.

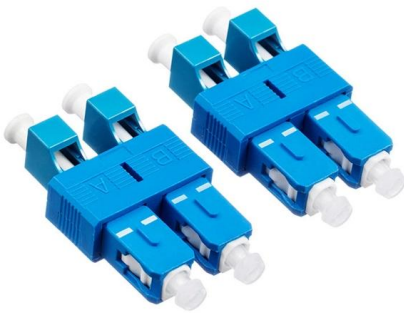
[Contact Us](#)

Relay Technician A Job Knowledge Test



Congratulations! You are taking the first step to ensure your success on the tests and ultimately in your career at San Diego Gas & Electric (SDG&E). The tests used at SDG&E are designed to give you

[Contact Us](#)



How to be a successful Protective Relay Technician

Protective Relay Technicians ensure the reliability of electrical power systems that society depends heavily on. Those aspiring to excel in this field must commit to a lifetime of learning and

[Contact Us](#)

Contact Us

For datasheets, pricing, or custom fiber access solutions, please visit:
<https://frindel.es>