

# **Single-mode dual-core fiber optic connection method**





## Single-mode dual-core fiber optic connection method

---



### The Key Differences Between 1-core, 2-core, Single

The secret lies in fiber optic technology, and understanding the basics--1-core, 2-core, Single Mode (SM), and Multi-mode (MM)--is key to

[Contact Us](#)

### The Key Differences Between 1-core, 2-core, Single Mode, and Multi

Ever wonder how data zooms across cities and continents at lightning speed? The secret lies in fiber optic technology, and understanding the basics--1-core, 2-core, Single Mode (SM), and

[Contact Us](#)



### Fiber-optic cable

Fiber-optic cable A TOSLINK optical fiber cable with a clear jacket. These cables are used mainly for digital audio connections between devices. A fiber-optic cable,

[Contact Us](#)



### Fiber Media Converters: Single-Mode vs. Multimode

Discover single-mode and multi-mode media converter from technical principles, performance, application, and selection suggestions.

[Contact Us](#)



### Comparing Single-Core and Dual-Core Optical Fibers

While single-core fibers offer efficiency and simplicity for long-distance transmission, dual-core fibers excel in high-capacity, short-range applications.

[Contact Us](#)

???

The differences between single mode vs multimode fiber lie in the core diameter, wavelength, bandwidth, color sheath, distance, and cost. Read the complete

[Contact Us](#)



### The Difference Between Single/Dual Fiber and

Whether you're designing a short-range data center network or a long-distance metro backbone, understanding the distinctions between single vs. dual

[Contact Us](#)



## Single Mode vs Multimode Fiber Explained , TRG

Understand the difference between single mode and multimode fiber, including performance, cost, and use cases, to choose the right fiber for your network.

[Contact Us](#)



## The Key Differences Between 1-core, 2-core, Single

Single Mode fibers have a smaller core, allowing light to travel in a single, straight path, ideal for long distances with less signal loss. Multi-mode

[Contact Us](#)



## Small Form-factor Pluggable

Small Form-factor Pluggable Small Form-factor Pluggable connected to a pair of fiber-optic cables Small Form-factor Pluggable (SFP) is a compact, hot-pluggable

[Contact Us](#)



## Fiber-optic communication

An optical fiber patching cabinet. The yellow cables are single-mode fibers; the orange and blue cables are multi-mode fibers: 62.5/125  $\mu\text{m}$  OM1 and 50/125  $\mu\text{m}$

[Contact Us](#)





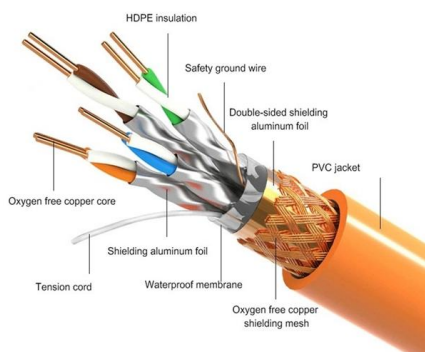
## Single vs. Dual Fiber: How to Choose the Right Cable for Your Network

Choosing the right fiber optic cable is essential for optimizing your network setup. In this video, we'll explore the differences between single (simplex) and dual (duplex) fiber cables, helping

[Contact Us](#)



### PRODUCT DETAILS



## Fiber Optic Cable Types Explained

Learn all about the differences between single mode and multimode cables, as well as the various fiber wavelengths and standard core sizes used in fiber optics.

[Contact Us](#)

## How to Choose the Best 8 Core Fiber Optic Cable for Your Network

Discover key factors when buying an 8 core fiber optic cable: types, specs, pricing, and what to look for to ensure reliable, future-proof connectivity.

[Contact Us](#)



## What Is A Single-Fiber BiDi Transceiver?--ETU-LINK

When planning a fiber optic network, one key decision is choosing between single-fiber (BiDi) and dual-fiber optical transceivers. This guide from ETU-Link explains

[Contact Us](#)



## SFP Fiber Optic Connector Types: LC, SC, MPO Explained

Explore common SFP fiber optic connector types, including LC, SC, and MPO/MTP. Learn their differences, use cases, and compatibility.

[Contact Us](#)



## DH-24 LC Single-Mode Dual-Core Fiber Optic Connector

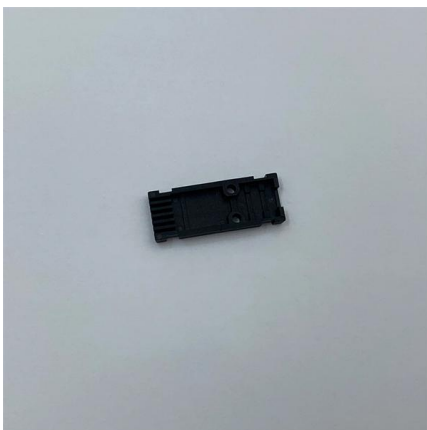
\*Dual-Core Technology: The DH-24 Fiber Optic Connector features an LC single-mode dual-core design that provides a robust fiber optic connection system, enhanced performance and stability in data

[Contact Us](#)

## Optic Modules Datasheet

Features and Benefits The following table lists the different pluggable optic modules and supported platforms, along with the technical specifications for each.

[Contact Us](#)



## Single Mode vs Multimode Fiber, What is The

In this in-depth single mode vs. Multimode Fiber comparison, I will compare those two fiber optic cables, helping you learn the difference and

[Contact Us](#)



## What is the difference between single mode single fiber and dual fiber

Choosing between Single Mode Single Fiber and Dual Fiber depends on the specific requirements of a communication system, including cost, complexity, and the existing infrastructure.

[Contact Us](#)



## 12 Core Single Mode Fiber Optic Cable

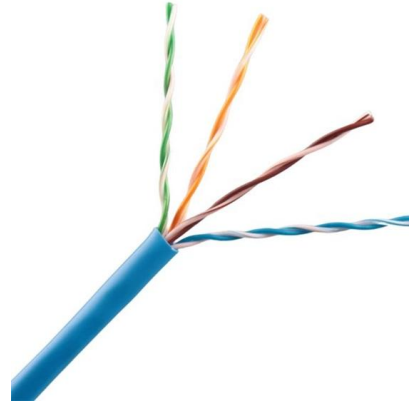
Shop high-quality 12 core single mode fiber optic cables for reliable communication. Enjoy durable, efficient, and cost-effective solutions for your needs.

[Contact Us](#)

## How to choose fiber optic pigtails?

Applications Fiber optic pigtails are used to terminated fiber optic cables via fusion splicing or mechanical splicing as shown in the picture below. The end of the

[Contact Us](#)



## Fiber Optic Cable Types: Single Mode vs. Multi-Mode

The primary distinction between single mode and multi-mode fiber optic cable is the fiber core diameter, wavelength & light source, bandwidth, color

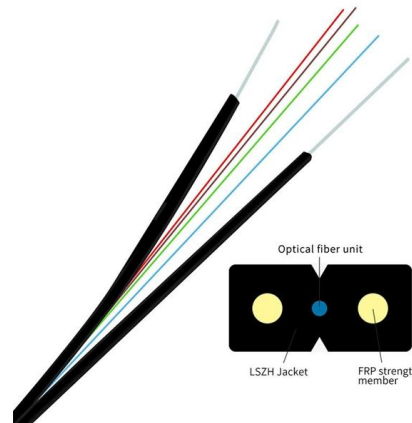
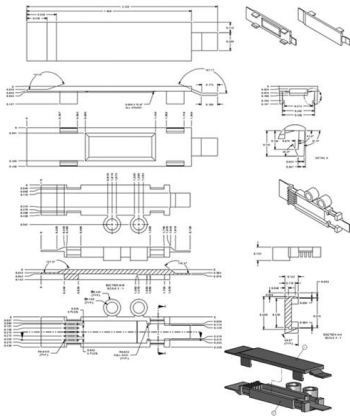
[Contact Us](#)



## Single vs Dual Fiber Media Converters (2025): A/B

For many campus and metro use cases, a single-mode BiDi pair is extremely attractive because it halves fiber usage, critical where duct space is

[Contact Us](#)



## All Kinds of Fiber Optic Patch Cords - SC, LC, FC, ST

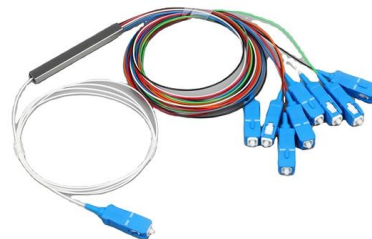
Learn about SC, LC, FC, and ST fiber optic patch cords, their uses in FTTH, telecom, and data centers, and how to choose the right type.

[Contact Us](#)

## Single-Mode Fiber-Optic Cabling:

Explore the high-speed world of single-mode fiber-optic cabling, where data travels on beams of light, offering unparalleled efficiency.

[Contact Us](#)



## How Many Core In Fiber Optic Cable Do I Need

This is because apart from one-core optical fiber, there are basically no optical cables with an odd number of cores, such as three-core, five-core, etc. It is

[Contact Us](#)



## Single Fiber vs Dual Fiber: How to Choose the Right

This article compares single-fiber and dual-fiber solutions and provides practical guidance for selecting the appropriate structure based on network

[Contact Us](#)



- TELECOM CABINET
- BRAND NEW ORIGINAL
- HIGH-EFFICIENCY

## Difference Between Single and Dual Fiber Optical

Fiber optic technology has seen incredible growth over the past several years and will likely experience even more expansion over time. There

[Contact Us](#)

## Single Mode vs. Multimode Fiber Optic Cables

There are two main types of fiber optic cables: single mode fiber and multimode fiber. Single mode fiber optic cables feature a narrow core diameter,

[Contact Us](#)



## Contact Us

---

For datasheets, pricing, or custom fiber access solutions, please visit:  
<https://frindel.es>