

Shopping Mall Cable Tray Removal Process





Shopping Mall Cable Tray Removal Process



Everything You Need to Know About Cable Trays , Cable Trays

Discover the different types of cable trays, their many benefits when used in electrical wiring and network cabling, installation processes, and essential maintenance tips for keeping your

[Contact Us](#)

Cable Tray Paths Planning in Urban Infrastructure

Learn how to effectively plan cable tray paths for urban infrastructure, ensuring safety, cost-effectiveness, and future expansion. Explore principles, methods, and case studies for optimal

[Contact Us](#)



How to Replace Cable Trays: Process & Safety Tips

A simple guide on how to replace cable trays. Learn about the process, safety tips, and what to look out for. Ideal for electricians and

[Contact Us](#)

Microsoft Word

Metallic cable trays shall be permitted to be used as equipment grounding conductors where continuous maintenance and supervision ensure that qualified persons service the installed cable tray system



New SMP For Cable Tray Work

This document provides a standard method of procedure for cable tray erection, removal, and strengthening jobs at JSW Steel Limited in Vijayanagar Works. It

[Contact Us](#)



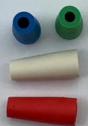
Purpose/Application: A booster start or a jump start is the process of

To provide guidance on the safe removal of cable. The procedure has been developed to provide strategies to reduce the potential for demoing an unintended cable or one that is still energized.

[Contact Us](#)



Length:14.0mm
Small-end inner diameter:2.0mm
Large-end inner diameter:3.5mm
Outer diameter:5.2mm



ICT Guidelines for New Mall Infrastructure

It outlines requirements for telecommunication rooms, IT rooms, structured cabling, cable trays, testing, documentation, and contractor guidelines. The document

[Contact Us](#)



Cables & Wires Handling Storage and Pulling Method

Leave the factory-applied protective cover in place until removal is absolutely necessary. Where possible, check the copper sheath for evidence of shipment

[Contact Us](#)



Method Statement For Cable Pulling and Final Electrical

This procedure covers the method for all the cable pulling, electrical connections and terminations for cables running on cable ladders and cable trays. Electrical

[Contact Us](#)

How to install Cable Trays - Best Guide in 2026

Step-by-step on-site guide: learn how to plan, mark, support, and install cable trays correctly, from shop drawing approval to final checks.

[Contact Us](#)



Best Practices for Installing Cables in Trays

Quick Installation Checklist (Key Steps) Cable tray cable installation generally follows these steps: Inspect cables before installation Prepare and

[Contact Us](#)



Cable Tray Trunking & Ladder Installation Method for

Resources For Electrical & Electronic Engineers Cable Tray Trunking & Ladder Installation Method for Projects The purpose of this article is to define the

[Contact Us](#)



Method Statement for Installation of Cable Tray or Trunking

On completion of cable tray/ ladder installation including fittings, inspect exposed finish. Remove burrs & construction debris and repair damages finishes

[Contact Us](#)



Product Catalog



Complete cable tray manual for electrical engineers and

The final drawings for a cable tray wiring system may be completed and sent out for bid or construction more quickly than for a conduit wiring system. Cable trays

[Contact Us](#)



Beama Best Practice Guide , Maintenance Of Cable Trays , CMW

Although inactive or dead cables may be left inside a tray or ladder system, it is good practice to remove these cables to free up future cable carrying capacity & to improve ventilation in the remaining

[Contact Us](#)



Cable Tray and Cable Ladder Installation Checklist

Streamline your cable management process with our expert checklist for Cable Tray and Cable Ladder Installation. From precise routing to secure mounting, ensure a

[Contact Us](#)



Anti-seismic cable tray accessories removal operation-Shandong

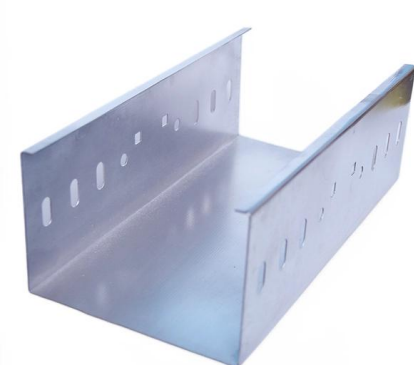
It is important to note that before removing the perforated cable tray, make sure that you have the relevant experience and skills, or you can ask a specialist to operate it to ensure that the

[Contact Us](#)

Cable Tray Installation

Learn everything about cable tray installation with our complete guide. Discover types, steps, and safety tips for efficient electrical cable management.

[Contact Us](#)



Cable Removal: Best Practices

Cable removal is a critical task that requires meticulous planning, proper tools, and adherence to best practices. By following the steps outlined in this guide,

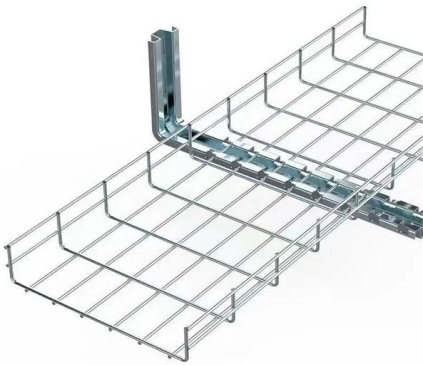
[Contact Us](#)



Cable Tray Laying & Unlaying - My Choice Service & Solution

Efficient cable tray systems are essential for organized, safe, and accessible electrical installations. We offer both laying (installation) and unlaying (removal) services tailored to meet the needs of industrial,

[Contact Us](#)



What is Cable Tray and How it is used in Industrial

A design engineer specifies a type of cable tray that suits the project, cable specification depends upon the industrial environment or situation where it

[Contact Us](#)

How to Manage Cables in Cable Trays: Principles and Methods

Learn how to manage cables in cable trays effectively with our comprehensive guide for cable classification, protection, and installation to ensure electrical system safety and efficiency.

[Contact Us](#)



Quality Guidelines for Cable Tray Works , PDF

This document outlines the quality guidelines and methodology for dismantling and re-installation of cable trunk covers in civil and electrical works. It details the purpose, quality plan, procedures,

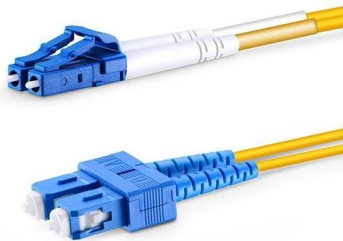
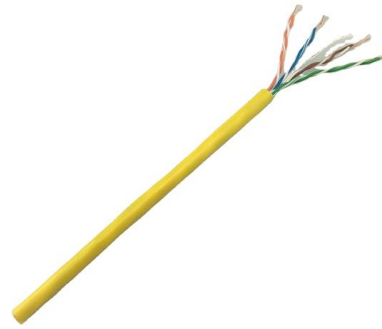
[Contact Us](#)



Cable Pulling and Termination Method Statement

The process involves isolating power, inspecting materials and tools, pulling cables through trays and ladders while maintaining bending radii, securely fastening

[Contact Us](#)



Inspection of Cable Trays, Installation Instructions Of Cable Tray

Cable trays can provide a safe structure for a wiring distribution system. If not designed or installed properly, wiring inside cable trays may pose hazards such as fire, electric shock and sudden blast

[Contact Us](#)

Contact Us

For datasheets, pricing, or custom fiber access solutions, please visit:
<https://frindel.es>