

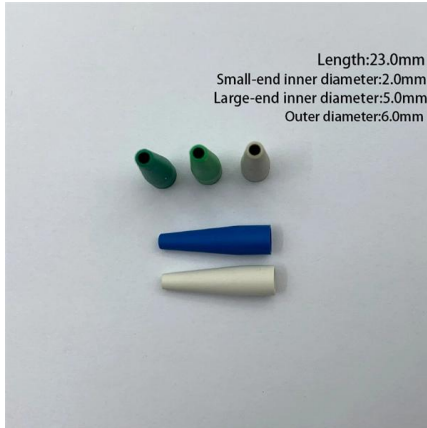
# Senegal Optical Module





## Senegal Optical Module

---



### Les meilleurs opticiens d'Afrique de l'Ouest sont au

Le système de santé au Sénégal, d'après l'OMS, est l'un des plus avancés des pays de l'Afrique de l'Ouest. En plus de professionnels qualifiés dans divers domaines

[Contact Us](#)

### The Evolution of Optical Modules: Powering the Future

Enter optical modules, which leverage the power of light to transmit data efficiently over long distances, driving the next generation of technological

[Contact Us](#)



### Senegal

Senegal is an expected landing stop for the planned 2Africa cable, developed by an international consortium including Facebook, which may lead to opportunities for carrier-neutral data

[Contact Us](#)

### Senegal Passive Optical Components Market (2025-2031) , Strategy

6Wresearch actively monitors the Senegal Passive Optical Components Market and publishes its comprehensive annual report, highlighting emerging trends, growth drivers, revenue analysis, and



### Optic-Sénégal

Conseillers professionnels dans le secteur des TIC au Sénégal. Nous accompagnons les acteurs majeurs des TIC dans la résolution de leurs enjeux

[Contact Us](#)



### Organisation des Professionnels des Technologies de

OPTIC est Vice-président de la Grappe « TIC et Téléservices » de la Stratégie de Croissance Accélérée (SCA) du Gouvernement du Sénégal.

[Contact Us](#)



### Senegal Optical Fiber Monitoring Market (2025-2031) , Trends & Outlook

6Wresearch actively monitors the Senegal Optical Fiber Monitoring Market and publishes its comprehensive annual report, highlighting emerging trends, growth drivers, revenue analysis, and

[Contact Us](#)

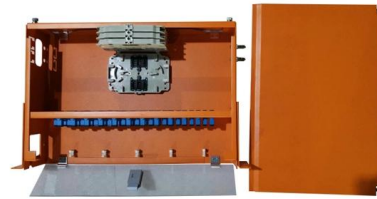




## Modelling of Photovoltaic Modules Optical Losses Due to Saharan

This study aims to evaluate the optical losses of photovoltaic modules due to Saharan dust deposition in Dakar, Senegal, West Africa. For this purpose, an air-dust-glass system is modeled to simulate

[Contact Us](#)



## Modelling of Photovoltaic Modules Optical Losses Due

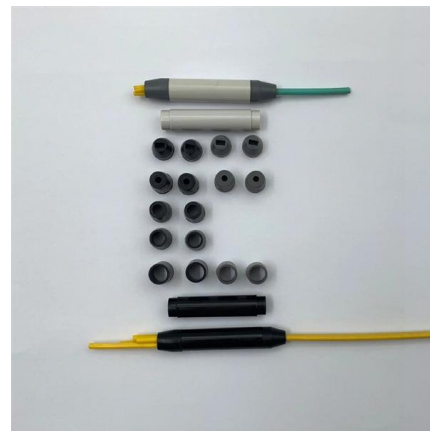
Finally, the study looks at modeling and predicting the influence of dust on PV systems, considering the parameters that affect electrical, optical, and

[Contact Us](#)

## Senegal Optical Network Equipment Market (2025-2031) , Trends,

Senegal Optical Network Equipment Industry Life Cycle Historical Data and Forecast of Senegal Optical Network Equipment Market Revenues & Volume By Type for the Period 2021-2031

[Contact Us](#)



## Sonatel introduces Senegal's first FTTH network

Orange Group-owned, incumbent Senegalese telco Sonatel has announced the launch of a fibre-optic broadband network this week. Senegal's first fibre-to-the-home (FTTH) service has

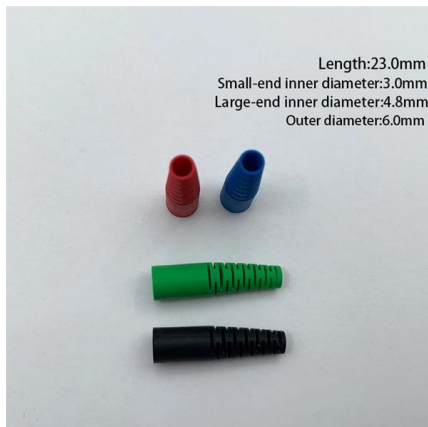
[Contact Us](#)



### Usb To Rs 485 Converter Module Hub Optical Isolation Adapter

Shop Usb To Rs 485 Converter Module Hub Optical Isolation Adapter at best prices at Desertcart Senegal. FREE Delivery Across Senegal. EASY Returns & Exchange.

[Contact Us](#)



### Contact - Optic-Sénégal

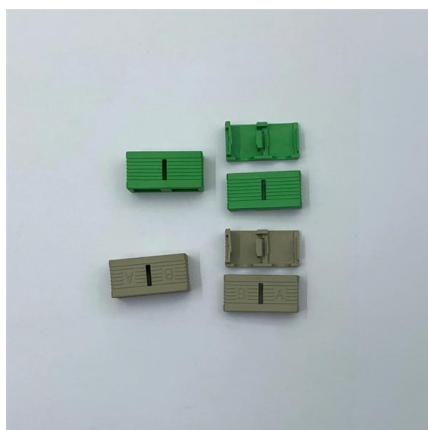
Membres d'Optic L'Organisation des Professionnels des Technologies de l'Information et de la Communication au Sénégal (OPTIC) existe depuis juin 2003 et est le seul syndicat professionnel

[Contact Us](#)

### Samsung Foundry Reportedly Wins Optical Module Order,

Samsung Foundry is reportedly stepping up its silicon photonics efforts. According to ZDNet, the company said in its 1Q26 earnings release that its foundry has secured orders from a

[Contact Us](#)



### Senegal Fiber Optics Cable Market , Growth & Size 2032

Senegal Fiber Optics Cable Market reveals insights into consumer behavior and usage patterns, highlighting the growing demand for high-speed connectivity.

[Contact Us](#)



## The Senegal-Cabo-Verde optic fiber interconnection

The project funded by Senegal will introduce an upgraded international bandwidth route to West Africa. According to Cheikh Bakhoum, it will probably be

[Contact Us](#)



## optical power meters Companies serving Senegal

List of optical power meters companies, manufacturers and suppliers serving Senegal

[Contact Us](#)

## Modelling of Photovoltaic Modules Optical Losses Due

Discover the impact of Saharan dust on photovoltaic modules in Dakar, Senegal. Explore optical losses, dust composition, and transmittance simulations in this

[Contact Us](#)



## Présentation - Optic-Sénégal

Grâce à l'expertise et à l'engagement de ses membres, OPTIC a su renforcer, au fil des 20 ans de son existence, son rôle de force de proposition dans le cadre du Dialogue Public-Privé et sa mission de

[Contact Us](#)



## Acheter de la fibre optique a Dakar , Vente de fibre

Acheter de la fibre optique a Dakar. Distribution location et vente de matériel et équipements fibres optiques partout au Sénégal. Livraison rapide à Dakar

[Contact Us](#)



## Senegal Optical Fiber Components Market (2025-2031) , Trends

Senegal Optical Fiber Components Industry Life Cycle Historical Data and Forecast of Senegal Optical Fiber Components Market Revenues & Volume By Component for the Period 2020- 2030

[Contact Us](#)

## SFP Optical Transceiver Products , Syrotech Networks

Syrotech Networks is market leader in manufacturing and supplier of sfp module, optical transceiver, sfp port, sfp optical transceivers, fiber sfp.

[Contact Us](#)



## Senegal Optical instruments and appliances, nes imports by country

HS Nomenclature used HS 1988/92 (H0) HS Code 903140: Optical instruments and appliances, nes  
Please note: Exports is gross exports and Imports is gross imports

[Contact Us](#)

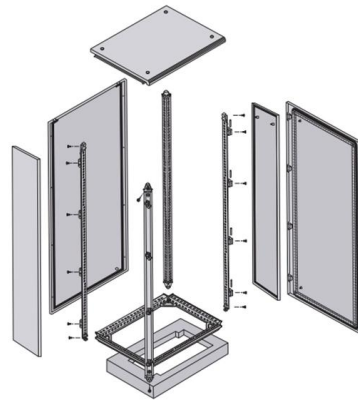




## Modelling of Photovoltaic Modules Optical Losses Due

PDF , On Jan 1, 2020, Dialo Diop and others published Modelling of Photovoltaic Modules Optical Losses Due to Saharan Dust Deposition in Dakar, Senegal,

[Contact Us](#)



## Senegal LS-MM8516-S1C 16G SFP+ Fibre Channel 850nm 100m

Senegal LS-MM8516-S1C 16G SFP+ Fibre Channel 850nm 100m DOM Duplex LC/UPC MMF Optical Transceiver Module

[Contact Us](#)

## Modelling of Photovoltaic Modules preview & related info , Mendeley

This study aims to evaluate the optical losses of photovoltaic modules due to Saharan dust deposition in Dakar, Senegal, West Africa. For this purpose, an air-dust-glass system is modeled to simulate

[Contact Us](#)



## Contact Us

For datasheets, pricing, or custom fiber access solutions, please visit:  
<https://frindel.es>