

Safe distance between fiber optic cables and electrical cables on each floor





Safe distance between fiber optic cables and electrical cables on ea



Top 10 Fiber Optic Mistakes to Avoid , trueCABLE

Avoid costly fiber optic installation errors. Learn the top 10 things NOT to do with fiber optic cables and how to handle them safely.

[Contact Us](#)

Fiber to the x

Fiber to the x A schematic illustrating how FTT X (N ode, C urb, B uilding, H ome) architectures vary with regard to the distance between the optical fiber and the

[Contact Us](#)



The Ultimate Guide to Structured Cabling Installation

Structured Cabling Installation Guide 1. Preparation Before beginning the installation, conduct thorough site surveys to assess the environment,

[Contact Us](#)

Electric cable and Multi mode fiber optic cable

Fiber optic is not impacted by the proximity with the power cable. There is no clearance required for this application. On the other hand, when fibre



Safety In Fiber Optic Construction

While not hazardous to the workers, local codes require knowledge of fire hazards from combustible cable or hardware, and firestopping between floors. Follow local codes to ensure a safe installation

[Contact Us](#)

Cable Separation Guide: Telecom & Power Cables

Technical guide for safe separation of telecommunication and power cables.

[Contact Us](#)



Underground Installation of Optic Fiber Cable Placing

Fiber optic cables have provided a more optimal use of available underground conduit space because of its small cable diameter and the much higher communications traffic capacity of each cable. Optical

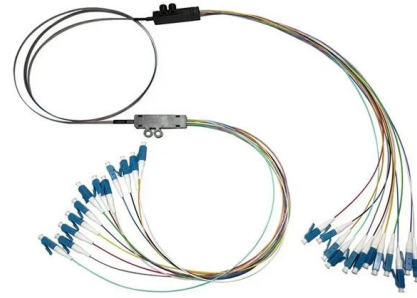
[Contact Us](#)

Small Form-factor Pluggable



Small Form-factor Pluggable Small Form-factor Pluggable connected to a pair of fiber-optic cables Small Form-factor Pluggable (SFP) is a compact, hot-pluggable

[Contact Us](#)



what does fiber optic cable look like: 7 Powerful Facts 2025

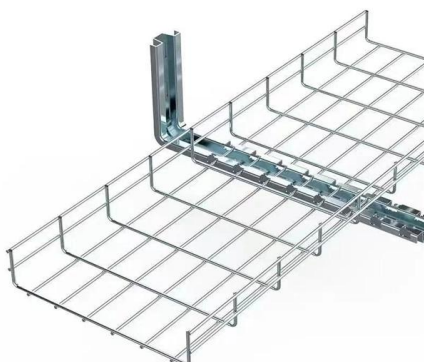
Discover what does fiber optic cable look like with photos, color codes, and expert tips for easy identification and safe handling.

[Contact Us](#)

Comprehensive Guide to Fiber Optic Safety - trueCABLE

Navigate the intricacies of fiber optic safety with an authoritative guide on handling hazards, protective gear, and best practices.

[Contact Us](#)



Cost of Fiber Optic Cable: Pricing Guide (2026)

Discover the cost of fiber optic cable in this pricing guide. Learn material prices, installation factors, and what impacts total project costs overall.

[Contact Us](#)



Submarine Cable Map

TeleGeography's comprehensive and regularly updated interactive map of the world's major submarine cable systems and landing stations.

[Contact Us](#)



101 Guidelines for Fiber Optic Cable Installation

A fiber optic cable should be tested three separate times during an installation: on the reel, the splicing test, and the final acceptance test. Extreme caution should

[Contact Us](#)

Fibre Reference Guidelines

Single lashing (wrapping around another cable) for main fibre optic cable runs is adequate but double lashing is recommended at higher security locations (i.e. across a river, through an industrial yard) or

[Contact Us](#)



NEC Minimum Separation Distances Between Power and Data Cables

Maintaining the required separation distance in concealed spaces, such as within walls, ceilings, and cable trays, requires specialized installation methods. One straightforward approach involves using

[Contact Us](#)

Safety of running fiber alongside electrical



in

If you want to run the fiber through the same conduit as the electrical cable, and the fiber is "ADSS" or has absolutely no metal in it, then you are totally safe.

[Contact Us](#)



Fiber Optic Cable Types: Comprehensive Guide

Explore the different types of fiber optic cables and understand which type suits your specific needs for speed, distance, and durability.

[Contact Us](#)



Cable Separation Guidelines in Data Centers: Avoiding

Avoid routing fiber optic cables directly alongside copper cables, as vibrations or weight from copper can stress fiber cables, increasing the risk of

[Contact Us](#)



Mesh door/glass door optional



Sp-601 glass door

Sp-602 mesh door

The FOA Reference For Fiber Optics -Outside Plant

Where no physical barrier exists, no duct or cable shall be laid within a distance of 600mm (24 inches) measured horizontally, nor cross within a distance of 300mm

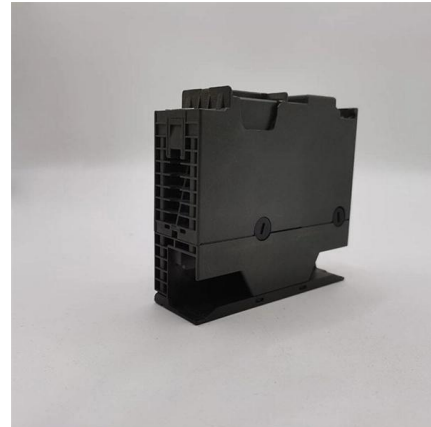
[Contact Us](#)



Safe Fiber Optic Cable Installation Tips and Best Practices

Follow these important safety steps for installing fiber optic cables to avoid damage, protect workers, and ensure a reliable and long-lasting network.

[Contact Us](#)



5 Vital Safety Rules for Fiber Optic Cables

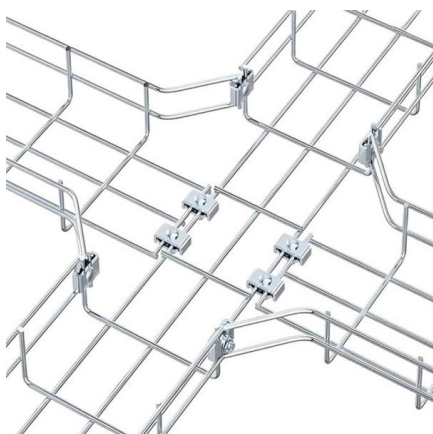
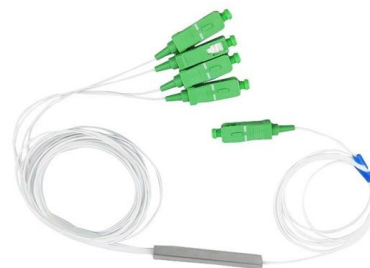
Here are 5 vital rules for staying safe when you're working on fiber optic cables. 1. Know the standards that apply to your work.

[Contact Us](#)

What's the Difference Between Copper, Coax, and Fiber

Confused about the difference between copper, coax, and fiber internet? Learn how each cable type affects your speed and reliability, and why

[Contact Us](#)



Electric cable and Multi mode fiber optic cable

Apologies if this has been asked before for different levels of voltage is Medium 415 V, 11KV etc.. is there a minimum separation distance from mult

[Contact Us](#)

5 Vital Safety Rules for Fiber Optic Cables



There are plenty of hazards to watch for when working on commercial and industrial networks. Fiber optic cable can seem safe; it doesn't carry an electrical charge, and it's not a heat

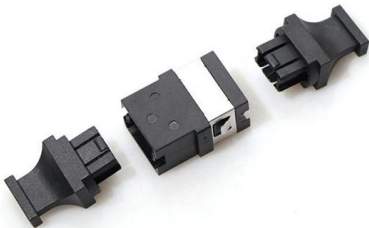
[Contact Us](#)



10 Best Fiber Optic Manufacturers for 2026

Discover the best fiber optic manufacturers globally, offering cutting-edge multimode and single mode fiber solutions. See who tops the list for quality

[Contact Us](#)



101 Guidelines for Fiber Optic Cable Installation

Maintain proper clearance between the fiber optic cable and power cable at all times. Always make allowances for power cable sag due to weather and current conditions.

[Contact Us](#)



Submarine communications cable

7 - Petroleum jelly 8 - Optical fibers Submarine cables are laid using special cable layer ships, such as the modern René Descartes , operated by Orange Marine.

[Contact Us](#)





Fiber-Optic Cable Bandwidth: Complete Guide

Explore how fiber optic cable bandwidth can transform your network's speed and efficiency, offering superior performance over traditional cables.

[Contact Us](#)



Indoor and Outdoor Fiber Optic Cable Installation: Key

Outdoor fiber optic cables are designed to withstand harsh environments, including moisture, extreme temperatures, and physical stress.

[Contact Us](#)

Contact Us

For datasheets, pricing, or custom fiber access solutions, please visit:
<https://frindel.es>