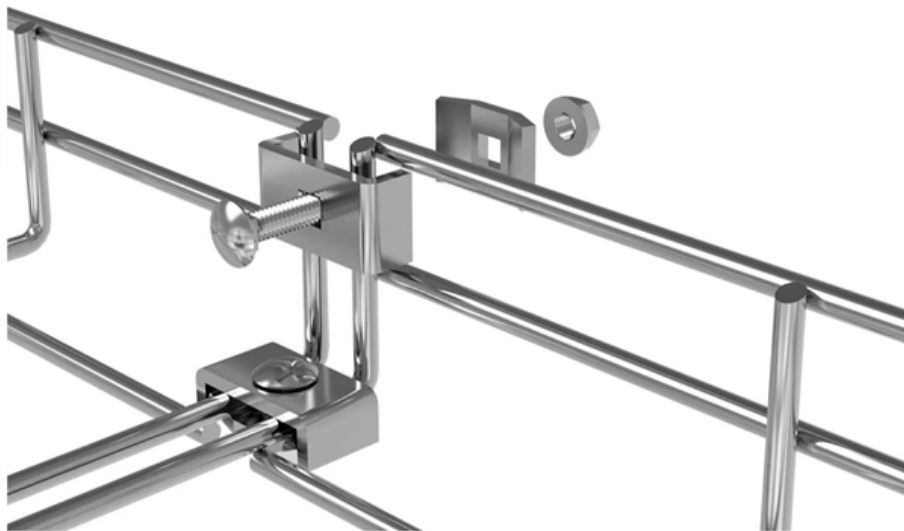
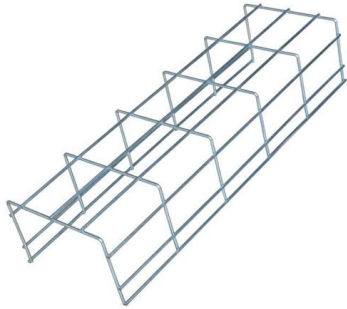


SPI optical module





SPI optical module



opto isolator

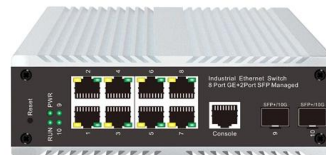
I need to isolate the SPI communication between two chips. The bottleneck of the communication is on the slave, which apparently can handle up to 2MHz SPI

[Contact Us](#)

How a Tiny, Low-Power MCU Meets the Needs of an

At the same time, optical module customers generally need an MCU with an online upgrade function so that the host can upgrade the MCU online through the I 2 C

[Contact Us](#)



Co-Packaged Optic Assembly Guidance Document

CMIS - Common Management Interface Specification
ESD - Electro-Static Discharge
SPI - Serial Peripheral Interface
LD - Laser Diode used as a CW source for the co-packaged optical module
ELS

[Contact Us](#)

ralbra/Optical_Flow_Sensors_Arduino

Arduino driver for the PAA5100JE and Pixart PMW3901(not tested atm) optical flow sensors. The driver was originally developed to support the Bitcraze Flow

[Contact Us](#)



Serial Peripheral Interface (SPI)

Introduction Serial Peripheral Interface (SPI) is an interface bus commonly used to send data between microcontrollers and small peripherals such as shift registers,

[Contact Us](#)



AN-1478: Isolated SPI Bus for Distinct System Requirements

This application note discusses various SPI isolation techniques to help designers facing distinct system level challenges, such as high communication speeds, limited printed circuit board (PCB) area, and

[Contact Us](#)



SPI Optical Sensors

Mouser offers inventory, pricing, & datasheets for SPI Optical Sensors - Development Tools.

[Contact Us](#)





Isolating SPI Signals (Rev

Four or six channel digital isolator devices support SPI applications depending on the number of chip select signals needed. Six channel digital isolators or multiple digital isolators support SPI

[Contact Us](#)



PCAL9722 , 22-Bit SPI I/O Expander with Agile I/O

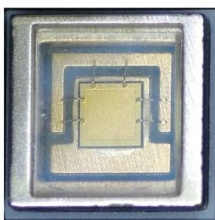
The PCAL9722 is an ultra-low voltage 22-bit I/O expander and translator with SPI interface and Agile I/O features to enable flexible designs and expanded

[Contact Us](#)

LTC4332 Rugged SPI Extender

Analog Devices' LTC4332 point-to-point rugged SPI extender is designed for operation in high-noise industrial environments over long distances.

[Contact Us](#)



Isolated SPI (Serial Peripheral Interface) , Analog Devices

Serial peripheral interface (SPI) is one of the most widely used interfaces between microcontrollers and peripherals such as sensors, ADCs, DACs, shift registers, SRAM, and others. Analog Devices'

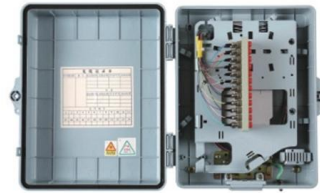
[Contact Us](#)



How to Replace Optocouplers with Digital Isolators in Standard

Four channels are required to isolate the SPI interface. The four typical SPI interface lines are SCLK, CS, MOSI, and MISO. There are two types of high-speed optocouplers that can be used with SPI:

[Contact Us](#)



SPI/AOI/X-Ray inspection: photonics-electronics co-design and

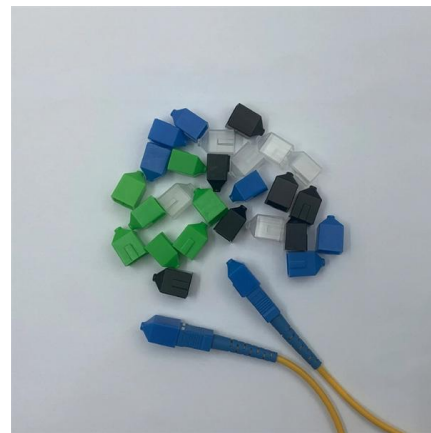
A deep dive into SPI/AOI/X-Ray inspection--covering SI, thermal management, and power/interconnect design--to help you build high-performance data center optical module PCB.

[Contact Us](#)

SPI/AOI/X-Ray Inspection: Mastering Photoelectric Synergy and

In-depth analysis of core technologies in SPI/AOI/X-Ray inspection, covering high-speed signal integrity, thermal management, and power/interconnect design to help you build high

[Contact Us](#)



Isolated SPI Communication Made Easy , Analog Devices

SPI is a synchronous serial data bus that facilitates data exchange between the devices and the central control unit over long distances. The communication takes place according to the

[Contact Us](#)



Arduino & Serial Peripheral Interface (SPI)

Serial Peripheral Interface (SPI) is a synchronous serial data protocol used by microcontrollers for communicating with one or more peripheral devices quickly over short distances.

[Contact Us](#)



An Extensive Library of Self-Developed Products



OV5647 - 5.0 MP Spy Camera Module w/ Flex Cable for

The OV5647 - 5.0 MP Spy Camera Module w/ Flex Cable for Raspberry Pi (B0066) is based on the OV5647 color sensor from OmniVision. The sensor has a 1/4.0?

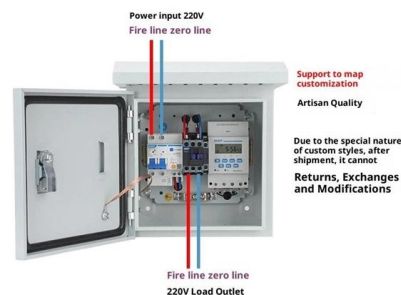
[Contact Us](#)

SPI Bus Optical Isolator Solutions , PDF

The document discusses using optocouplers as optical isolators for SPI bus systems. It describes the SPI bus and its components, how optocouplers provide optical

[Contact Us](#)

Product Wiring Diagram



Automated Optical Inspection Systems (AOI) , Mek

Marantz Electronics 3D Automatic Optical Inspection systems (3D AOI), THT AOI, SPI & visual inspection systems for SMT & THT Inspection.

[Contact Us](#)



Serial Peripheral Interface (SPI) Devices

Serial peripheral interface (SPI) is the full duplex synchronous serial interface consisting of four signals: SCLK (serial clock), COTI (controller out, target in), CITO (controller in, target out) and TS (target

[Contact Us](#)



Introduction to SPI Interface , Analog Devices

This article provides a brief description of the SPI interface followed by an introduction to Analog Devices' SPI enabled switches and muxes, and how they help reduce the number of digital GPIOs in

[Contact Us](#)



50KW modular power converter

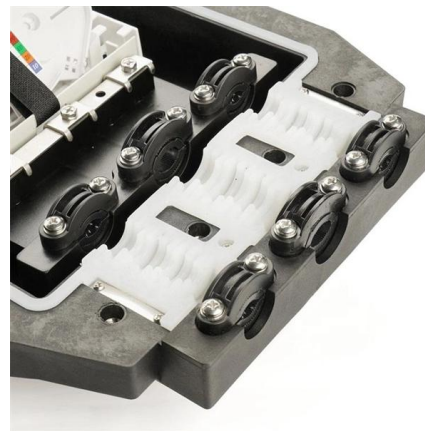


- Flexible Configuration**
 - Modular Design, Expanding as Required
 - Small/Edge, VME Mounted
 - Installed in Parallel for Expansion
- Powerful Function**
 - Support PV-ESS
 - Grid Support, Equipped with SVG Technology
 - On-Grid and Off-Grid Operation
- Reliable Protection**
 - Outdoor IP65 Design
 - Sufficient Protection Functions Equipped

Optical module design resources , TI

View the TI Optical module block diagram, product recommendations, reference designs and start designing.

[Contact Us](#)



Isolated SPI , Product Navigator , Würth Elektronik

The included transformers and common mode chokes ensure BMS isolation and suppress electromagnetic interference for reliable signal transmission. The WE-BMS series supports serial

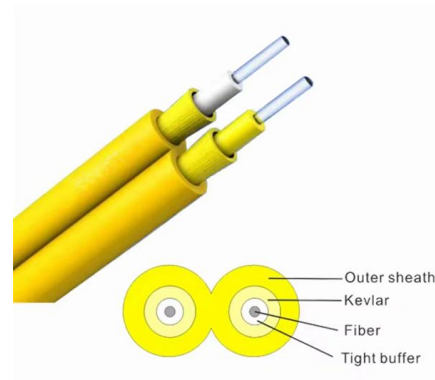
[Contact Us](#)



optoSPI System , Optical SPI Signal Transmission for

The optoSPI system ensures reliable bidirectional optical transmission of SPI signals up to 1 Mbit/s. Ideal for EMI/EME testing, it features shielded casing, external

[Contact Us](#)



Contact Us

For datasheets, pricing, or custom fiber access solutions, please visit:
<https://frindel.es>