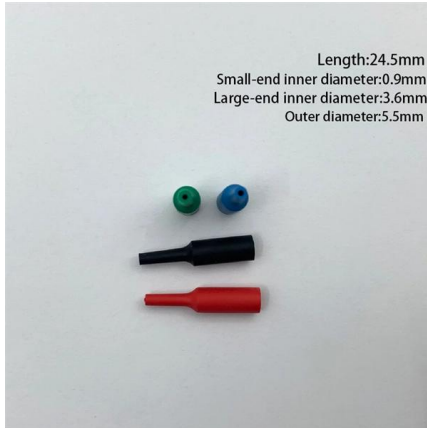


SFP Optical Module Schematic Diagram 6





SFP Optical Module Schematic Diagram 6



Application Note 1237

Application Note 1237 SFP Evaluation Board The purpose of this Small Form Pluggable (SFP) evaluation board is to provide the designer with a convenient means for evaluating SFP fiber-optic

[Contact Us](#)

What Is an SFP Module? -- Complete Guide to SFP, SFP+ & SFP28

An SFP (Small Form-factor Pluggable) is a compact, hot-pluggable transceiver module that allows networking equipment -- including switches, routers, servers, and media converters -- to support

[Contact Us](#)



Roc Yu MCU Central FAE Team

This application note provides the schematics, PC-board layout, Gerber files, bill of materials (BOM), firmware, and a graphical user interface (GUI); not only for the module but also for the evaluation board.

[Contact Us](#)

SFP+ Module Reference Design

This evaluation board is a complete SFP+ module as defined in the SFP+ MSA document. The design uses Micrel's MIC3003 controller, the 10G DFB/FP laser driver SY88022AL, and any of the following



10Gb/s SFP Optical Transceiver Module

The SPP5100ZX-GL is a very compact 10Gb/s optical transceiver module for serial optical communication applications at 10Gb/s. The SPP5100ZX-GL converts a 10Gb/s serial electrical data

[Contact Us](#)



SFP+, LC Connector, 1310nm DFB with PIN Receiver, Single Mode,

This 1310 nm DFB 10Gigabit SFP+ transceiver is designed to transmit and receive optical data over single mode optical fiber for link length 10km. The SFP+ LR module electrical interface is compliant

[Contact Us](#)



The Ultimate Guide to SFP Modules (2026): Types,

Confused by SFP vs SFP+? Read the definitive 2026 guide on SFP modules. We explain Single Mode vs Multimode, DDM diagnostics, and how to choose the right

[Contact Us](#)



What Is an SFP Optic Module and How Does

SFP optic modules convert electrical to optical signals for fast, long-distance data transfer. Hot-swappable, versatile, and compatible with various

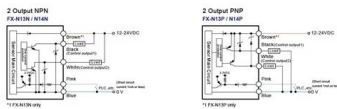
[Contact Us](#)



SFP+ Evaluation Board

3 Laser Safety Warning The Lumentum SFP+ optical transmitters are Class 1 Laser Products. Lumentum SFP+ modules are eye-safe devices when operated within the limits of their respective

[Contact Us](#)



SFP Module Introduction: SFP meaning, Fiber SFP and

SFP module is the core part of the optical fiber communication networks. This post will introduce everything you should know about SFP transceivers, including what

[Contact Us](#)



Broadcom Evaluation Board for SFP Transceivers

This document describes the details of the evaluation printed circuit board (PCB) and the test equipment and methods for evaluating SFP modules.

[Contact Us](#)



Optical Transceivers Design Reference Guide

A SFP transceiver shall meet the electrical and optical requirements, including amplitude, eye diagram, jitter, and other parameters, specified for the standards with which the transceiver claims compliance.

[Contact Us](#)



How to Use SFP Connectors in Your PCB Layout

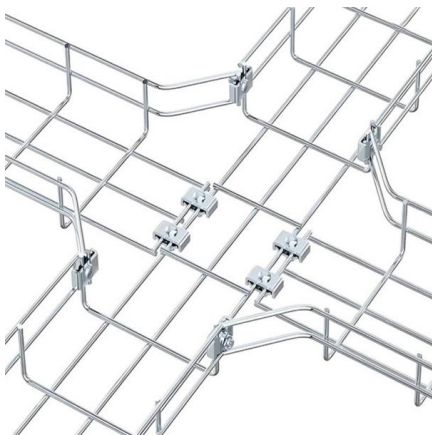
SFP connectors are used to route data into fiber optic transceiver modules, which are normally found in high-speed networking equipment. Today,

[Contact Us](#)

Block diagram of an SFP/SFP+. The XFP differs from

This poster describes the assessment of commercially available and prototype parallel optics modules for possible use as back end components for the Versatile

[Contact Us](#)



SCP6Gx8-GL_TS-S08D026C

MOD-DEF 0, 1 and 2 are module definition pins. They should be pulled up with a 4.7k to 10kohm.

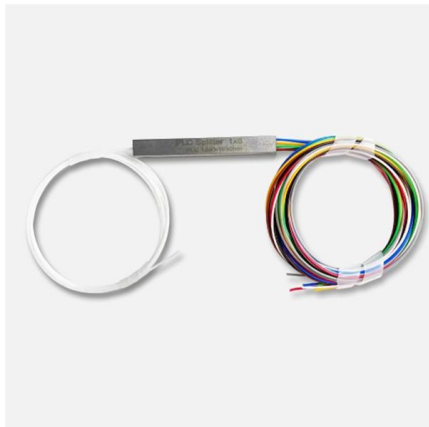
[Contact Us](#)



Designing a Copper SFP using the VSC8221 10/100

1000BASE-T Copper SFP with 1000BASE-X MAC Interface The block diagram below shows a 1000BASE-T copper SFP with 1000BASE-X Interface. This kind of SFP for CAT5 copper media

[Contact Us](#)



SFP & FIBRE EXPLAINED

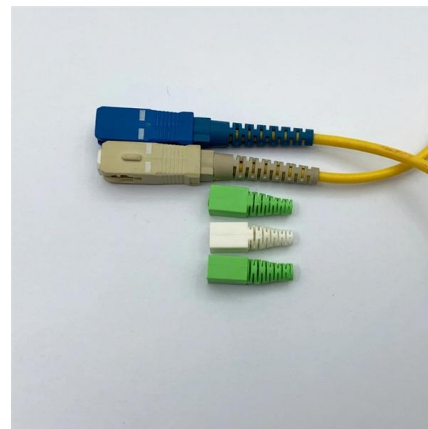
SFP TYPES & ADVANTAGES SFP modules play a crucial role in enabling high-speed communication between switches and various network components, including routers and other devices. They are

[Contact Us](#)

TIDA-00088 reference design , TI

View the TI TIDA-00088 reference design block diagram, schematic, bill of materials (BOM), description, features and design files and start designing.

[Contact Us](#)



AV02-2822EN AN_5509 AFCT-5716Z 11Feb2011.pdf

SFP+ module is shown in Figure 2. The SFP+ module TX & RX optical/electrical characteristics such as eye diagram, rise/fall time, jitter can be tested. It is recommended that low

[Contact Us](#)

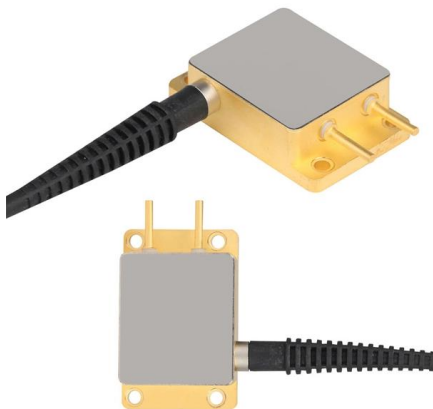




SFP module specification and selection guide (EN)

SFP modules provide LC connectors. Fiber cables are offered on option to connect to distribution frames and convert to other types of connector. The DDMI--Digital Diagnostic Monitoring Interface, reports

[Contact Us](#)



ONET SFP+ 10G LR Reference Design With ONET8551T,

The 10.3125-Gbps SFP+ LR Reference Design evaluation board evaluates the optical performance of the ONET1151L device, the ONET8551T device and the ONET1151P device.

[Contact Us](#)

AN 063: High-Speed Transceiver Design Guidelines

These guidelines provide comprehensive guidance regarding schematic-level design considerations and PCB layout guidelines for high-speed transceivers under different modes of operation.

[Contact Us](#)



TR-3552: Optical network installation guide

SFP module installation procedure SFP Transceivers are hot-swappable input/output (I/O) devices that plug into FC ports. Use only SFP modules that are recommended by NetApp.

[Contact Us](#)



SFP Module Introduction And Working Principle Guide

Fiber SFP modules are small, self-contained electronic devices that transmit and receive light pulses over fiber optic cables. They are used in fiber

[Contact Us](#)



SFP Reference Design Kit Preliminary Data Sheet (Rev. PrA)

The Analog Devices SFP Reference Design is available in several configuration depending on the end application. The primary differences are related to the speed of the receive section, and the

[Contact Us](#)

What is SFP: SFP Meaning, SFP Types, SFP Port

What is an SFP module? What is SFP? SFP stands for small form-factor pluggable, a hot-pluggable interface device used to convert electrical signals into optical

[Contact Us](#)



Optical module design resources , TI

View the TI Optical module block diagram, product recommendations, reference designs and start designing.

[Contact Us](#)



The SFP 2-wire serial interface is used for serial ID, digital diagnostics, and certain control functions. The 2-wire serial interface is mandatory for all SFP modules.

[Contact Us](#)



Contact Us

For datasheets, pricing, or custom fiber access solutions, please visit:
<https://frindel.es>