

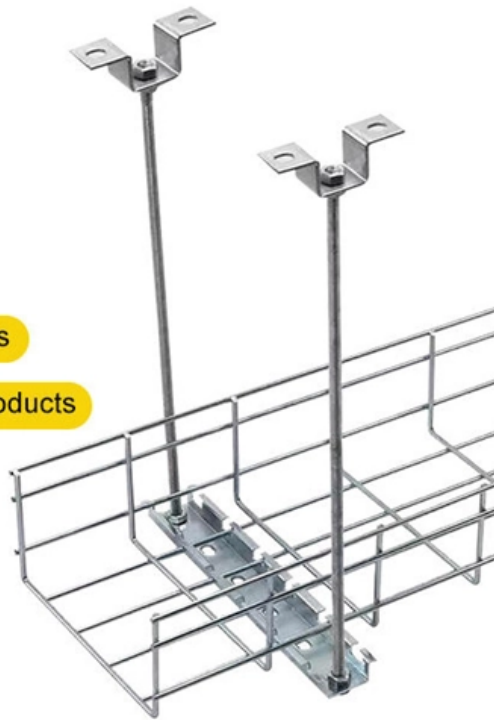
Removing cable tray cover plates

STAINLESS STEEL WIRE MESH

Long-lasting and durable

Comprehensive specifications

Customized non-standard products





Removing cable tray cover plates



Causes and Preventive Measures for Instrumentation

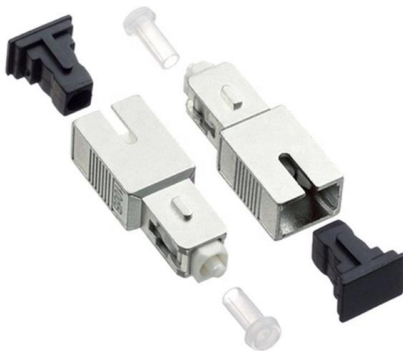
In industrial environments, the integrity of instrumentation cable trays is essential for ensuring the safety and stability of control systems. A common but often

[Contact Us](#)

A Guide to Cable Tray Accessories and Their Functions

Explore a detailed guide to cable tray accessories and understand their uses in ensuring safety, stability, and efficiency in electrical system

[Contact Us](#)



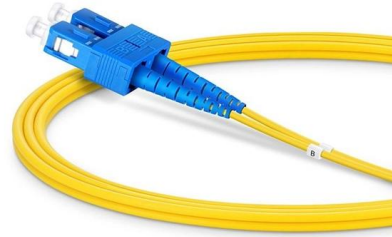
Connecting Cable Trays: Your Guide to Secure and

Learn common methods for connecting cable trays safely and efficiently. Our guide covers splice plates, quick-connects, and key tips for secure

[Contact Us](#)

Removing Panel Cover , Information by Electrical Professionals for

I was recently on a job and received a citation for removing the panel cover (but not the dead front cover) on a 480v 3 phase panel. We were in a trouble shooting mode tracing some



How to Demolish Cable Trays: A Complete Guide

Learn how to safely and effectively demolish cable trays. Our guide covers preparation, the demolition process, and post-demolition steps.

[Contact Us](#)



B-Line series Cable Tray Design Considerations

As an industry leader in cable tray, Eaton offers one of the widest ranges of cable management solutions available in the market today with its B-Line series portfolio. With unmatched quality and service, we

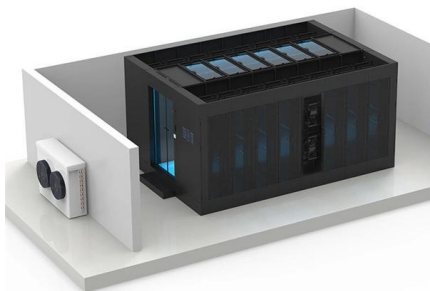
[Contact Us](#)



How to Replace Cable Trays: Process & Safety Tips

A simple guide on how to replace cable trays. Learn about the process, safety tips, and what to look out for. Ideal for electricians and

[Contact Us](#)





How To Remove A Screwless Wall Plate Cover

How To Remove A Screwless Wall Plate Cover
One Hour Smart Home 115K subscribers
Subscribed

[Contact Us](#)



How do I remove this wall plate with no visible screws?

I'm amazed how complicated this wall plate is to remove. It is made of plastic and accommodates a phone jack and a coaxial cable. Please see the

[Contact Us](#)



Method Statement for Installation of Cable Tray or Trunking

On completion of cable tray/ ladder installation including fittings, inspect exposed finish. Remove burrs & construction debris and repair damages finishes

[Contact Us](#)



There are several ways to fix the cover plate of cable tray

There are five common ways to fix the cover plate of cable tray elbow supplier: pressing plate fixing, screwing fastening, clasp fixing, padlock fixing and seven-shaped buckle fixing.

[Contact Us](#)

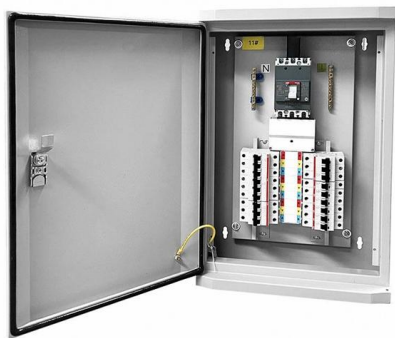




Cable Tray Accessories , Hangers, Supports & Fittings

Shop cable tray accessories including hangers, elbows, covers, and supports. RS Philippines offers durable fittings for industrial cable management systems.

[Contact Us](#)



How to install a separation plate, support and joint for cable trays

Separation plate AP is used to separate low and high voltage cables. Separation wall AP is attached to the cable ladder's intermediate cleat with a cable tie or screw.

[Contact Us](#)

How to install and dismantle the cable cover

In this section you will see short types of installation tutorials of how to connect two sections as well as a short instruction of how to install and dismantle the cable cover.

[Contact Us](#)



Equipment Grounding Conductors for Cable Tray Systems

Cable tray wiring systems have excellent safety and dependability records. These excellent records are the result of cable tray's unique features plus the proper

[Contact Us](#)





Cable Tray and Reels , Wire and Cable Management

Fast installation with dependable support. Everything you need to build a cable management system, including Cablofil wire mesh cable tray, ladder cable tray, ladder cable tray, ladder cable tray,

[Contact Us](#)



How to remove screwless ethernet cover/wall plate :

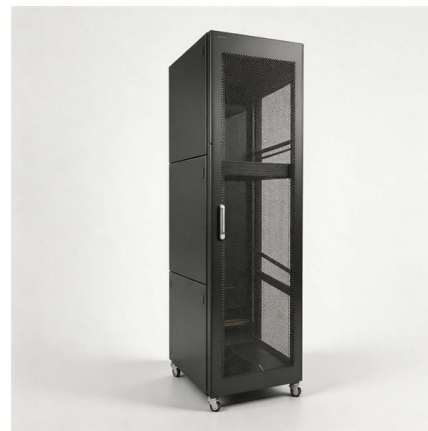
A: (ignoring the pushed in ethernet cable setup I have going on right now) If you have ethernet socket cover/wall plate similar to this and want to remove it, check the

[Contact Us](#)

NEMA VE2 Cable Tray Installation

This section also covers many of the accessories used during cable tray installation such as horizontal or vertical hinge connectors, reducing splice plates, box connectors, dropouts, covers, etc. Details

[Contact Us](#)



How to remove Coax cable & install new cover plate

How to remove Coax cable & install new cover plate - FAST & EASY DIY with Michael Borders 232K subscribers Subscribed

[Contact Us](#)





Cable Tray Cover Fabrication

Cable Tray Cover Fabrication While many cable trays remain uncovered, those that run under or along the floor require a strong and sturdy cable tray cover for

[Contact Us](#)



Cable Tray Systems: Requirements and Best Practices

Comprehensive guide to cable tray systems requirements: tray types, materials, loading, supports, bonding, routing, and best practices for safe electrical cable management.

[Contact Us](#)

Easy Steps for DIY Cable Cover Installation

Can I remove cable covers without damaging the wall or floor? If you use double-sided tape or adhesive strips, cable covers can be removed without causing damage. Follow the removal

[Contact Us](#)



Anti-seismic cable tray accessories removal operation-Shandong

4.Remove cables: during the removal process, you may need to remove the cables that pass through the cable tray. Carefully remove the cable from the tray and ensure that the cable or

[Contact Us](#)



Quality Guidelines for Cable Tray Works , PDF

Quality Guidelines for Cable Tray Works This document outlines the quality guidelines and methodology for dismantling and re-installation of cable trunk covers in civil and electrical works.

[Contact Us](#)



Cable Tray Cover Choosing for Safety, Protection, and

Learn the comprehensive guide to cable tray cover choosing for different environments, ensuring safety, protection, and aesthetic appeal.

[Contact Us](#)

Cable Tray Technical Guide A practical guide to product selection and

Conductors used in cable tray must be specified in Table 19 of the CEC and, except where permitted under paragraphs [12-2202(2)] and [(3)], covered by a continuous metal sheath or an interlocking

[Contact Us](#)



Contact Us

For datasheets, pricing, or custom fiber access solutions, please visit:
<https://frindel.es>