

Recommended Stainless Steel Cable Trays in China and Europe





Recommended Stainless Steel Cable Trays in China and Europe



"Stainless Steel Cable Tray"

Design engineers or buyers might want to check out various Stainless Steel Cable Tray factory & manufacturers, who offer lots of related choices such as cable tray, wire mesh cable tray and

[Contact Us](#)



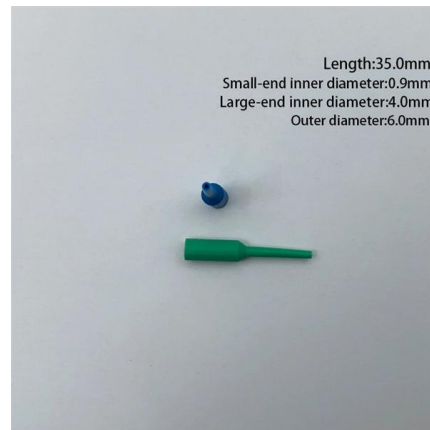
Eurostrut Cable Trays , cable tray, cable route and

Cable trays for industrial and marine use. Includes distribution trays, cable routes and NATO-type models. Request a quote directly via our webshop.

Anaco Stainless Steel Cable Trays

Our stainless steel cable trays are produced in a standard range of sizes. We stock sizes which are primarily aimed at electrical cabling and pipe work where either environmental conditions require a

[Contact Us](#)



Top 10 Stainless steel cable tray manufacturers China Products

Are you in the market for durable and reliable stainless steel cable trays? With so many manufacturers in China, choosing the right one can feel overwhelming.

[Contact Us](#)



Stainless Cable Tray, Stainless Ladder Cable Tray in China

Your Reliable Stainless Cable Tray Manufacturer in China NewReach offers cable trays made from high-grade stainless steel, available in grades 304 and 316. These materials are well-known for their

[Contact Us](#)



Advantages of Stainless Steel Cable Trays for Industrial Use

These include ladder-style trays, perforated trays, and wire mesh trays, each of which is made to meet a particular need for cable management and provides options for cable support and

[Contact Us](#)



How to Choose the Right Steel Cable Tray for Your IT

Conclusion Selecting the right cable tray can transform a chaotic setup into a streamlined, efficient system. With options ranging from sturdy

[Contact Us](#)





Cable Trays

The cable trays from SILTEC are made of first-class stainless steel that prevents corrosion and ensures a good level of resistance. Our cable trays are made of:

[Contact Us](#)



Top Cable Tray Manufacturers Worldwide: A

This guide offers an in-depth look at some of the top cable tray manufacturers worldwide, broken down by region: Europe, South America, North

[Contact Us](#)



Top 10 Stainless steel cable tray manufacturers Companies and

Stainless steel cable trays are designed to support and manage electrical cables and wiring systems. They provide a safe and organized way to route cables in various environments, including industrial,

[Contact Us](#)



Stainless Cable Tray, Stainless Ladder Cable Tray in China

Stainless steel cable trays provide several key benefits. They are resistant to corrosion and possess great strength and longevity, making them ideal for maintaining hygiene and cleanliness in various

[Contact Us](#)





Cable Trays

Cable Trays - Cable support and management system Founded in 2006, Hengshui Excellent Technology Co., Ltd. has many years of experience of producing and

[Contact Us](#)



Stainless Steel Cable Trays (SS) Manufacturer & Exporter

Superfab Inc uses premium-grade stainless steel and advanced manufacturing

[Contact Us](#)

Stainless Steel Cable Tray , China Manufacturer

Explore top-quality stainless steel cable trays designed for durability in harsh environments. These trays ensure safe, organized, and efficient cable management.

[Contact Us](#)



Cable trays

Opt for our robust and custom-made stainless steel cable trays, designed to secure and optimize your electrical installations on your construction sites.

[Contact Us](#)



Top Cable Tray Manufacturers Worldwide: A

Discover leading cable tray manufacturers worldwide, including top companies in Europe, South America, North America, Africa, and Asia. Learn

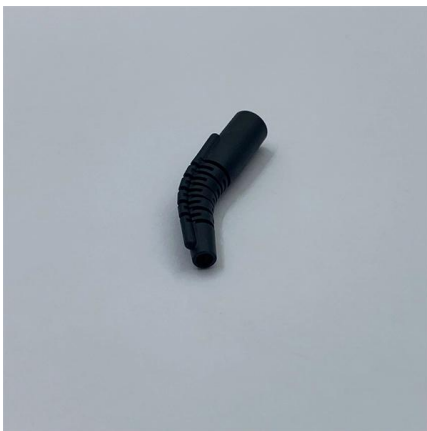
[Contact Us](#)



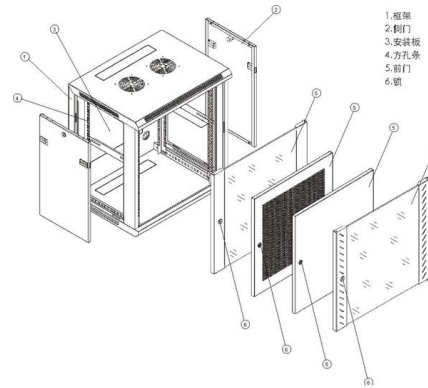
What are the Top 6 China Cable Tray Manufacturers?

From material expertise to production capacity, we'll explore what sets these manufacturers apart, complete with a comparison table and expert tips

[Contact Us](#)



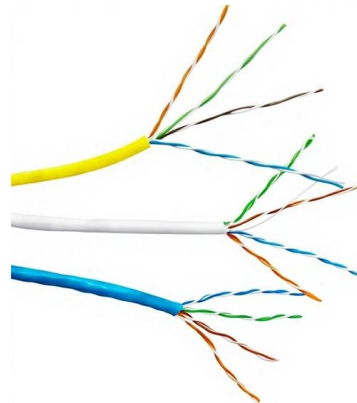
CE Certified Stainless Steel Cable Trays: A Complete Guide for



Selecting the right materials for cable tray use at low temperatures

Aluminum, fiberglass, steel, and stainless steel are all readily available materials for cable tray manufacturing. These materials perform very well at ambient temperatures (0°F to 100°F). However,

[Contact Us](#)



Blogs

Discover the latest advancements in cable tray systems at Cable Tray Factory. Our in-depth blogs cover everything from selection tips to installation techniques,

[Contact Us](#)



Comprehensive guide to CE certification requirements for stainless steel cable trays. Learn material grade selection (304 vs 316), compliance documentation, and supplier verification tips for selling on

[Contact Us](#)



Contact Us

For datasheets, pricing, or custom fiber access solutions, please visit:
<https://frindel.es>