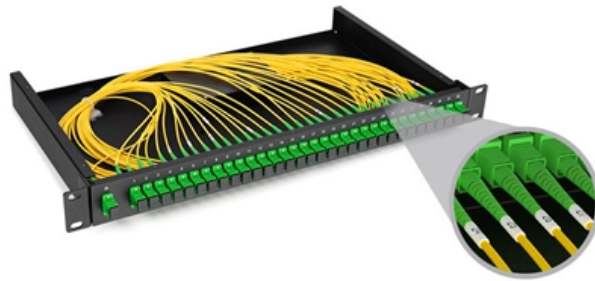


Reasons for Rusting in Explosion-Proof Distribution Boxes





Overview

Metal electrical boxes can rust under certain conditions, depending largely on the material and protective measures. Many people do not know how to solve problems when an explosion-proof distribution box malfunctions. It weakens metal, damages parts, and may lead to short circuits or system failure. At Bartakke Enclosures, we understand the harsh environments our customers operate in - whether it's the humid air of coastal regions, chemical-heavy industrial zones, or extreme weather. In order to prevent the rust of the distribution box, the following measures can be taken: Choose anti-rust materials: choose corrosion-resistant and anti-rust materials, such as stainless steel or galvanized steel sheets, to ensure that the surface of the cabinet is not easy to rust. Remove with steel washing water Wet the rust of the steel basin with water; wipe off the rust with a.



Reasons for Rusting in Explosion-Proof Distribution Boxes



Explosion-Proof Distribution Boxes: Special Installation Requirements

Unlike standard distribution boxes that could become shrapnel shards in volatile environments, explosion-proof containers are engineered fortresses that absorb, contain, and vent catastrophic

[Contact Us](#)

What are the common problems of distribution boxes?

The main problems encountered with distribution boxes include installation and layout problems, electrical connection and grounding problems,

[Contact Us](#)



Installation and Wiring of High and Low Voltage Explosion-Proof

Generally, professional electricians should handle the wiring of explosion-proof distribution boxes, as they possess the necessary skills and safety equipment. In non-urgent cases,

[Contact Us](#)

How to maintain explosion proof distribution panel and

Number each explosion proof distribution panel and control station, and assign the operation section team to contract, and require the operation section



Explosion Proof Distribution Box: Glands vs Conduit for Safety

Choosing how cables enter an explosion-proof distribution box is one of those decisions that looks straightforward on paper but gets complicated fast once you factor

[Contact Us](#)



Don't Let Rust Wreck Your Home: Essential Tips to Stop Electrical Panel

Learn what causes corrosion in electrical panels and how to prevent a corroded electrical panel from becoming a fire risk.

[Contact Us](#)



Rusted and Corroded Electrical Panels

Rusted panels may have hazardous conditions on the inside of the panel. Therefore if a panel is rusted, it is wise to investigate the condition of the

[Contact Us](#)



304 stainless steel explosion-proof distribution box often rust how to do

What should I do if the 304 stainless steel explosion-proof distribution box is often rusted? How to maintain the 304 stainless steel explosion-proof distribution box on a daily basis?

[Contact Us](#)



The distribution box should prevent the box from being

The distribution box is an important part of the power supply system, and its corrosion problem will directly affect the safe operation of electrical equipment.

[Contact Us](#)

Specification for Maintenance of Explosion-Proof Distribution Boxes

As industrialization accelerates, enterprises are increasingly emphasizing the importance of electrical explosion-proof measures. In industrial production, the use of explosion-proof distribution

[Contact Us](#)



Explosion Proof Enclosure Comprehensive Guide

Explosion-Proof Distribution box: These smaller components are structurally similar to distribution cabinets. You can use these for the distribution

[Contact Us](#)

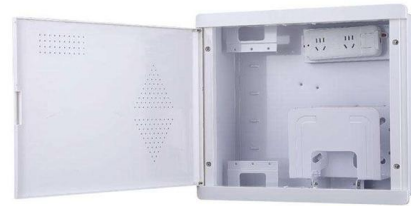




Prevent Rust in Electrical Enclosures: Key Strategies

Rust in electrical enclosures threatens safety and equipment life. Choose corrosion-resistant materials, ensure sealing & drainage, control

[Contact Us](#)



Principle and applicable area of explosion-proof distribution box

Because when explosion-proof distribution boxes are properly specified, installed, and maintained, they become invisible guardians. They represent the quiet professionalism of engineers

[Contact Us](#)

Reasons Electrical Panels Rust

Contributing factors that lead to rust and corrosion inside electrical service panel boxes and how to prevent it.

[Contact Us](#)



How to prevent the distribution box from rusting?

In order to prevent the rust of the distribution box, the following measures can be taken: Choose anti-rust materials: choose corrosion-resistant and anti-rust materials, such as stainless steel or galvanized

[Contact Us](#)



Explosion-Proof Distribution Box , Product Center

Explosion-proof distribution boxes are designed to safely control and distribute electrical power in hazardous environments, preventing ignition risks.

[Contact Us](#)



Causes of electrical failure in explosion-proof distribution boxes

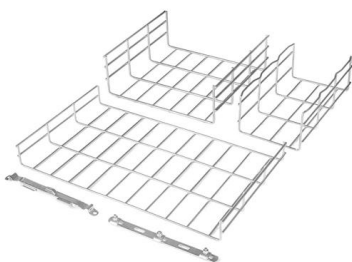
Therefore, malfunctions due to overheating of electrical components in the distribution box will occur. 1.2 Failure caused by product quality At the time of the renovation of rural power grids, the number of

[Contact Us](#)

Prevent Rust in Electrical Enclosures: A Guide

Learn how to protect your electrical enclosures from rust and corrosion. This guide covers the best practices, materials, and maintenance tips to ensure the longevity

[Contact Us](#)



Principles for Connecting Explosion-Proof Distribution

Explosion-proof systems, especially in hazardous environments, demand a meticulous approach to ensure safety and compliance with regulations. This

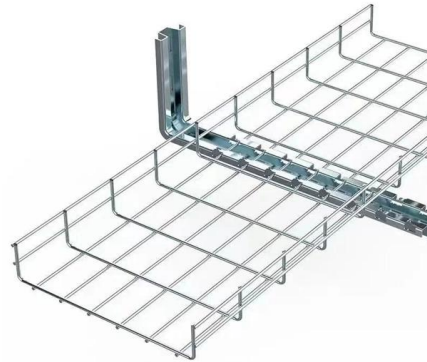
[Contact Us](#)



Corrosion reduction in power distribution

These same corrosion processes occur in power distribution equipment, especially in off-shore or near-shore locations, with the potential for causing catastrophic failures.

[Contact Us](#)



Top 3 Facts About Explosion Proof Distribution Box & Electrical

Learn the top 3 facts about explosion proof distribution boxes & electrical enclosures--certifications (ATEX, IECEx, NEMA), durable materials, and customization for

[Contact Us](#)

Explosion-proof distribution box: the "invisible guard" protecting

Ordinary distribution boxes may become a safety hazard in high temperature, corrosive or flammable environments. The explosion-proof distribution box uses explosion-proof, anti

[Contact Us](#)



How to Wire an Explosion-Proof Distribution Box and

Explosion-proof electrical equipment, such as explosion-proof distribution boxes, is specifically designed for hazardous environments where flammable gases,

[Contact Us](#)



Can the rusty explosion-proof distribution box continue to be used?

In order to prevent corrosion, the explosion-proof distribution box should be kept away from corrosive substances, so as to avoid chemical reactions and cause rust.

[Contact Us](#)



Will metal electrical boxes rust

Metal electrical boxes can rust under certain conditions, depending largely on the material and protective measures. Stainless steel distribution boxes may also rust if exposed to

[Contact Us](#)

Petrochemical industry: explosion-proof distribution boxes and

That's why explosion-proof distribution boxes and corrosion-resistant cables aren't just equipment; they're silent guardians keeping thousands of workers safe every single day. Picture this: Gulf of

[Contact Us](#)



Explosion-Proof Distribution Box Faults and Solutions

After the installation of the explosion-proof distribution box, it rarely stops running once it starts working. Due to the long period without opening, the

[Contact Us](#)



Contact Us

For datasheets, pricing, or custom fiber access solutions, please visit:
<https://frindel.es>