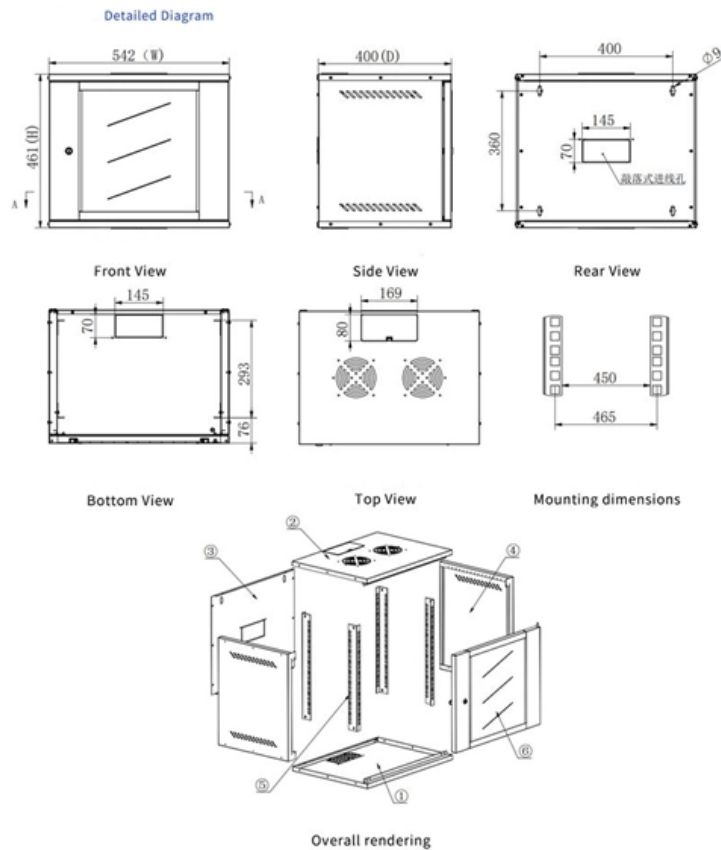


# Ranking of the Communication Optical Module Industry





## Ranking of the Communication Optical Module Industry

---



### LightCounting :: The TOP10 Transceiver Suppliers for 2024

The figure below illustrates the changes in the TOP10 list of optical transceiver suppliers over the last 15 years. A majority of the Japanese and US-based

[Contact Us](#)

### Optical Transceiver Market Size, Growth Drivers

The Optical Transceiver Market worth USD 15.42 billion in 2026 is growing at a CAGR of 13.67% to reach USD 29.26 billion by 2031. Coherent

[Contact Us](#)



### Optical Module Package Market 2025

Report Scope This market research report provides a comprehensive analysis of the global and regional Optical Module Package markets, covering the forecast period 2025-2032. It offers detailed insights

[Contact Us](#)

### Optical Modules Market Size, Trends & Forecast 2025-2035 , Core

Discover Optical Modules Market trends, growth analysis, key segments, and regional insights. Forecast 2025-2035. Explore industry opportunities now!



### **Optical Transceiver Market Size, Share, Trends**

Optical Transceiver Market Trends Increasing Adoption of Silicon Photonics Technology to Aid Market Growth The use of silicon photonics as an

[Contact Us](#)



### **Top Optical Transceiver Manufacturers List (2024)**

As a leader in the optical module market, II-VI provides optical modules to industry-leading communication equipment vendors. However, the

[Contact Us](#)



### **Latest Ranking of Top 10 Global Optical Module Suppliers**

Recently, LightCounting, a well-known market research organization in the optical communication industry, released the latest issue of its market report and updated the TOP10 ranking of global

[Contact Us](#)





### 10 companies in the optical transceiver industry chain 2024

To help you choose the best partner, this article will analyze and introduce 10 companies in the optical transceiver industry chain for you.

[Contact Us](#)



### The latest ranking of the TOP10 global optical module suppliers

A few days ago, LightCounting, a well-known market research organization in the optical communication industry, released the latest market report and updated the TOP10 ranking of global

[Contact Us](#)



### Top 10 Leading Companies in the Global Optical

Beyond its dominance in networking hardware, Cisco plays a significant role in the optical space through its Acacia Communications

[Contact Us](#)



### Top 10 Leading Companies in the Global Optical

The company is integral to the growth of the optical transceiver market by providing innovative solutions such as: high-speed optical modules for 5G

[Contact Us](#)





## Optical Transceiver Market Size, Share, Analysis 2030

The global Optical Transceiver Market size in terms of revenue was estimated to be worth \$13.6 billion in 2024 and is poised to reach \$25.0 billion by 2029, growing

[Contact Us](#)



## Optical Communication Module

This report provides a comprehensive assessment of recent tariff adjustments and international strategic countermeasures on Optical Communication Module cross-border industrial footprints, capital

[Contact Us](#)

## Top 10 Leading Companies in the Global Optical

From 5G networks and AI-powered data centers to cloud computing and fiber-to-the-home (FTTH) applications, optical transceivers play a critical role

[Contact Us](#)



## LightCounting :: Cisco and Huawei are catching up with

LightCounting's Optical Vendor Landscape report provides a holistic analysis of the global communications industry, examining the business strategies of telecom

[Contact Us](#)



## Optical Module Industry Statistics 2026

Our in-depth market data report on Optical Module Industry. Explore verified statistics and the latest research.

[Contact Us](#)



## Optical Modules Market by Type and Application

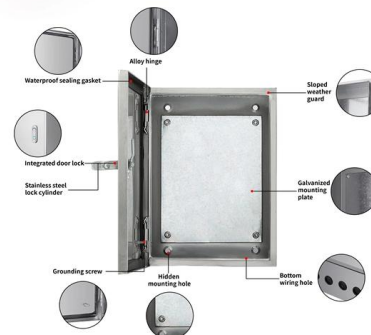
An optical module is a typically hot-pluggable optical transceiver used in high-bandwidth data communications applications. Optical modules typically have an electrical interface on the side that

[Contact Us](#)

## Optical Modules Market Size, Growth Trends & Forecast

Situated within the broader optical communications industry, the Optical Modules Market is a vital subset of the telecommunications equipment

[Contact Us](#)



## Top 10 Optical Transceiver Manufacturers Driving High

Discover the top 10 optical transceiver manufacturers advancing 400G and 800G modules powering hyperscale data centers and next-generation

[Contact Us](#)

## Optical Module Chip Market 2025



This market research report provides a comprehensive analysis of the global and regional Optical Module Chip markets, covering the forecast period 2025-2032. It offers detailed insights into market

[Contact Us](#)



### Global Optical Modules Market 2024-2030

In Global Optical Modules Market, The VITA 66.5 draught standard, set to be published, defines NanoRF optical hybrid modules.

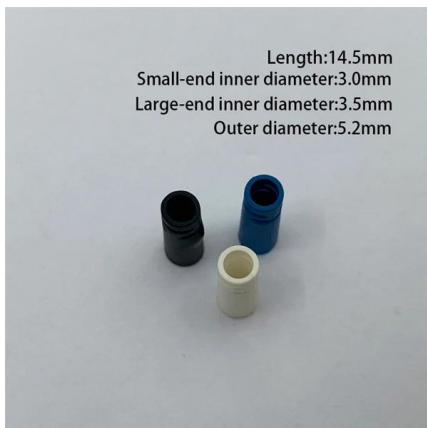
[Contact Us](#)



### LightCounting :: May 2024 Optical Vendor Landscape

Report Abstract This report provides a holistic analysis of the global communications industry, during a period of unprecedented growth in demand for artificial

[Contact Us](#)



### Global Optical Module Suppliers TOP10 Ranking Changes

Below are the changes in the global optical module supplier TOP10 ranking from 2021 to 2023, published by LightCounting, a market organization in the optical communications industry:

[Contact Us](#)



## Optical Module Market Size, Competitors & Forecast to

The Optical Module market is a segment of the Optoelectronics industry that focuses on the production of optical components and modules. These components and

[Contact Us](#)



## 2025 Optical Module Market Share and Demand Report

The 2025 optical communication industry is driven by AI data centers (AIDCs) and 5G rollouts, with high-speed optical modules (400G/800G/1.6T)

[Contact Us](#)

## Global optical module sales reach \$4.25 billion in H1 2022

Lightcounting published the latest quarterly report on Global Optical Module Market, updating the global Optical Module market size statistics of Q1 and Q2 2022, and releasing the latest

[Contact Us](#)



## Top 10 Global Optical Modules in 2023: Chinese

Recently, LightCounting, a market research institution in the optical communication industry, released the latest version of the 2023 global optical

[Contact Us](#)



## Optics Transceiver Module Market 2025

Technology Trends & Innovation: Assessment of emerging technologies in optical communication, integration with 5G networks, and evolving industry standards for transceiver modules.

[Contact Us](#)



## Optical Modules Market Size, Share, Industry Growth Analysis Report

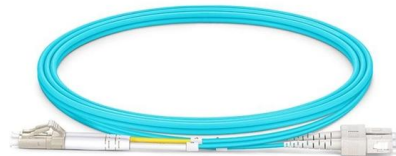
The global optical modules industry study report presents a strategic plan to enhance market circumstances for existing industry participants based on all of these conclusions. The study also

[Contact Us](#)

## Top 28 Optical Communication Systems Companies

Explore the top optical communication systems companies, including Acacia and Source Photonics, leading advancements in connectivity solutions.

[Contact Us](#)



## Contact Us

---

For datasheets, pricing, or custom fiber access solutions, please visit:  
<https://frindel.es>