

Quanta Server Rack Cooling System





Overview

The PolarRak™ cooling system is gravity driven, making it ideal for rack-mounted servers. Connect cold plates from multiple servers and racks to a common condenser mounted outside of the rack room to simplify installation and. In 2018, Quanta Cloud Technology (QCT) said that the " Next Major Upgrade for AI and Supercomputing is Liquid Cooling. And since then, QCT has developed its liquid -to-air cooling rack, also known as QoolRack, that reduces power consumption by up to 66. Quanta possesses industry-leading data center product lines to offer a comprehensive portfolio of servers, storage devices and network switches, leveraging its rich experiences in product development, manufacturing, integration and optimization to help its data center customers meet next-generation. Recently, we had the opportunity to head to Taiwan and check out the Quanta QCT QoolRack liquid-cooled rack solution with a little twist. QCT worked with Intel to develop the QCT QoolRack, a rack-level direct-to-chip cooling solution which meets data center needs with impressive cooling power savings per rack over air cooled solutions, and reduces data centers' carbon footprint with QCT QoolRack smart management.



Quanta Server Rack Cooling System



Quanta QCT QoolRack Liquid Cooling Intel Xeon Max

For now, we wanted to show off what QCT is doing on the liquid cooling side since they are a larger vendor of cloud and AI systems. QCT

[Contact Us](#)

The Future of Liquid Cooling: QCT QoolRack Sidecar Solution

Designed for seamless integration with traditional air cooled data centers, it delivers powerful cooling without requiring a complete overhaul of existing data center infrastructure.

[Contact Us](#)



Server , Rackmount Server-Hyperscale Products , QCT

Open up datacenter networks by decoupling bare-metal switch and OS, offering flexibilities and scalability for network virtualization. Integrated server, storage, and network switch products into a

[Contact Us](#)



Quanta QCT QoolRack Liquid Cooling Intel Xeon Max Overview

To cool today's hot CPUs, 1U form factors are a challenge, so we need good airflow guides and often heatsink wings

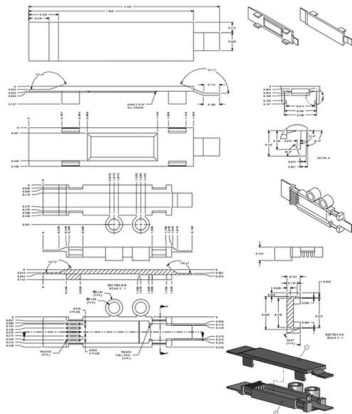
[Contact Us](#)



Foxconn Q1 2026: \$66.6B Revenue on 30% AI Server Surge

Foxconn Q1 2026 revenue hit \$66.6 billion, up 29.7% YoY, as AI servers overtook iPhones. Inside the 40% market share driving a \$455B market.

[Contact Us](#)



Quanta QCT QoolRack Liquid Cooling Intel Xeon Max Overview

We had the opportunity to take the QoolRack for a spin and show power savings in a rack due to more efficient liquid cooling versus air cooling. Since it was (much) cheaper to fly me to

[Contact Us](#)



QCT QOOLRACK

IT managers. Quanta Cloud Technology (QCT) developed an advanced liquid cooling solution powered by Intel® to meet the increased need for cooling in data center infrastructure while lowering the

[Contact Us](#)

FIBER OPTIC FAST CONNECTOR: CORE ADVANTAGES

- No epoxy or polishing required
- Quick and easy fiber termination in the field
- Eliminates cable excess length
- Cost effective

PROFESSIONAL RELIABILITY | ENGINEERED PERFORMANCE



Hyperscale Products , QCT

Open up datacenter networks by decoupling bare-metal switch and OS, offering flexibilities and scalability for network virtualization. Integrated server, storage, and network switch products into a

[Contact Us](#)



Newsroom , QCT

Extended thermal solution at the rack level leads to better cooling efficiency SAN JOSE, Calif. - October 18, 2022 - Quanta Cloud Technology (QCT), a global data center solution provider,

[Contact Us](#)

Newsroom , QCT

QCT will be showcasing its latest QuantaGrid servers accelerated by the latest generation of NVIDIA's cutting-edge technology, the QCT QoolRack Sidecar Liquid Cooling Solution

[Contact Us](#)



Rackmount Server , 2U -Hyperscale Products , QCT

Open up datacenter networks by decoupling bare-metal switch and OS, offering flexibilities and scalability for network virtualization. Integrated server, storage, and network switch products into a

[Contact Us](#)



Server , Rackmount Server-Hyperscale Products , QCT

High-density converged storage systems for various storage architectures and a range of I/O performance requirements. Open up datacenter networks by decoupling bare-metal switch and OS,

[Contact Us](#)



Quanta Computer

Quanta COTS servers feature high flexibility, expandability, minimized power consumption and a small hardware footprint, tailor-made for network function disaggregation and virtualization to realize zero

[Contact Us](#)

PolarRak(TM) o QuantaCool

The PolarRak(TM) cooling system is gravity driven, making it ideal for rack-mounted servers. One condenser can eliminate heat from multiple servers.

[Contact Us](#)



Quanta QCT QoolRack Liquid Cooling Intel Xeon Max

Here is a look at the tubes from the rack manifold that connects to the rear of a QuantaGrid D54X-1U server. One can see that the liquid cooling takes

[Contact Us](#)



High Efficiency Data Center Cooling & Computer

Keep high-speed servers, PCs and processors cool with QuantaCool's patented no pump, no water heat removal systems. QuantaCool systems use a safe,

[Contact Us](#)



Rackmount Server , 1U -Hyperscale Products , QCT

Open up datacenter networks by decoupling bare-metal switch and OS, offering flexibilities and scalability for network virtualization. Integrated server, storage, and network switch products into a

[Contact Us](#)



Server Rack Cooling System CHEN; Chao-Jung ; & nbsp et al.

A cooling system for a server rack holding one or more servers, the system comprising: a cooling module configured to condition coolant to provide cooling with the server rack; at least one

[Contact Us](#)



3 AI Infrastructure Stocks Solving the Power Crisis

The company's data center portfolio includes uninterruptible power supplies, power distribution units, switchgear, and busway systems that manage electricity from the utility connection

[Contact Us](#)





Newsroom , QCT

Fully liquid-cooled, this rack-scale platform is purpose-built for the age of AI reasoning, delivering optimal performance for test-time scaling and inference workloads QCT QoolRack Sidecar Liquid Cooling

[Contact Us](#)



PolarRak(TM) o QuantaCool

Connect cold plates from multiple servers and racks to a common condenser mounted outside of the rack room to simplify installation and reduce costs. The

[Contact Us](#)

QuantaGrid-D54Q , 2U Rackmount Server , QCT.io

Advanced system cooling architecture supporting the top bin 350W TDP CPU under air cooling and 385W under liquid cooling. Up to 10x PCIe Gen5 expansion slot and DC-SCM architecture to meet

[Contact Us](#)



QCT QOOLRACK: An Optimized Liquid Cooling Solution for HPC/AI

QCT worked with Intel to develop the QCT QoolRack, a rack-level direct-to-chip cooling solution which meets data center needs with impressive cooling power savings per rack over air cooled solutions,

[Contact Us](#)



Quanta Computer

QCT QoolRack liquid cooling solution offers rack-level liquid cooling to support higher power CPU and GPU clusters, enabling data centers to migrate from air-cooled to liquid-cooled without building

[Contact Us](#)



QCT QoolRack Solution Serves as the Latest Innovation

In 2018, Quanta Cloud Technology (QCT) said that the " Next Major Upgrade for AI and Supercomputing is Liquid Cooling. And since then, QCT has

[Contact Us](#)

PolarBox(TM) o QuantaCool

The PolarRak(TM) cooling system is gravity driven, making it ideal for rack-mounted servers. One condenser can eliminate heat from multiple servers.

[Contact Us](#)



Contact Us

For datasheets, pricing, or custom fiber access solutions, please visit:
<https://frindel.es>